

Parts Reference

Boost ST

Ten Pin

April 2024/ CI23-2

Brunswick[®] 

CUSTOMER SERVICE

A tradition in excellence.

Boost ST Parts Reference Catalog

© April 2024 by Brunswick Bowling Products. All rights reserved.

Reorder Part No. CI23-2

Notice: If available, updates to this catalog can be found on-line at www.brunswickbowling.com.

Confidential proprietary information. All information contained in this document is subject to change without notice.

Brunswick Bowling Products
525 West Laketon Avenue
Muskegon, MI 49441
U.S.A.

231.725.3300

Contents

Section A: Common Parts - Quick Reference

Setting Platform	A2
Drive Chain Assembly	A3
PMI / String Spool Assemblies	A4
Return Lever Assembly	A5
Pinsetter Motor / Switch Cluster Assemblies	A6
Gate Assembly	A7
Boost 360 Controller.....	A8
Ball Accelerator.....	A9

Section B: Kickbacks, Mounting Frame, Pit Components, And Gate Assembly

Kick Backs	B2
Mounting Frame Assembly	B4
Pit Frames and Boards.....	B6
Pit Frames and Boards - Vacuum Formed	B8
Pit Curtain.....	B10
Ball Cushion	B12
Front Gate / Pinlight.....	B14

Section C: Ball Accelerator / Ball Elevator

Ball Accelerator Assembly (Subway).....	C2
Accelerator Box Assembly (Subway).....	C4
Ball Door/Lock Assembly, Left Hand (Subway)	C6
Ball Door/Lock Assembly, Right Hand (Subway).....	C8
Ball Accelerator- Belt Drive (SUBWAY)	C10
Ball Accelerator Guide	C12

Section D: Pinsetter Main Frame

Frame - Drive Assembly	D2
Chain Drive Assembly	D4
String Wagon Assembly	D6
String Lever Assembly.....	D8
Pin Motion Interface (PMI).....	D10
Pin Tangle Mechanism	D12

Section E: Pin Setting Platform

Boost Setting Platform Assembly - Ten Pin	E2
-------------------------------------------------	----

Section F: Electronics

Switch Cluster..... F2
Ball Detect F4
Boost 360 Controller..... F6

Section G: Cabling

Boost 360 Controller Cabling G2
1st and 2nd Ball LED lights Cable Assembly 55-143015-000 G4
Pinlight DC Power Cable Assembly 55-143069-000 G6
AMF Bumper Cable Assembly 55-143148-000 G8
Boost PMI Cable Assembly 55-143157-000..... G10
Switch Cluster Cable Assembly 55-143158-000 G12
Boost Pinsetter Switch Cluster Extension Cable Assembly 55-143158-200 G14
Brunswick Foul/Ball Lift/ Ball Detect Cable Assembly 55-143161-000..... G16
Pinsetter Motor Cable Assembly 55-143164-000 G18
Boost Pinsetter Mechanic's Stop Switch Cable Assembly 55-143165-000..... G20
AMF Foul/Ball Lift/ Ball Detect Cable Assembly 55-143172-000..... G22
Ball Accelerator Motor Cable Assembly 55-143173-000 G24
Ball Door Control Cable - Boost ST, Single/Lane Pair Cable Assembly 55-143181-000 G26
Ball Door Control Cable - Boost ST, Separated Lane Pair Cable Assembly 55-143182-000 G28
IntelliFoul / IntelliShield Cable Assembly 53-520516-000..... G30
Boost 360 Controller to PBW Bumper Cable Assembly 57-501384-000..... G32
Peripheral Controller to 360 Controller Cable Assembly 57-501385-XXX..... G34
Nitro 2-Color Pin Light Cable Assembly 57-501549-000 G36
Nitro Multi-Color Pin Light Cable 57-501654-000..... G38

Section H: Guards and Safety

Rear Guards - UL H2
Rear Guards - CE..... H4
Rear Guard - Horizontal Bracket H6
Rear Guards - Lower Guard and Brackets..... H8
End Lane Division Guard - Left Side H10
End Lane Gate Guard - Left Side H12
End Lane Division Guard - Right Side..... H14
End Lane Gate Guard - Right Side..... H16
Inside Division Guard H18
Ball Return Side Guard..... H20

Intentionally Blank Page

Select Only Genuine Brunswick Replacement Parts for Brunswick Equipment

You purchased the best when you bought Brunswick equipment. Insist on the best in replacement parts. Buy Genuine Brunswick Replacement Parts to keep your equipment in top-notch working condition.

Here's why you should insist on Brunswick Replacement Parts for your Brunswick equipment:

- Only Brunswick replacement parts are guaranteed to be the same, top quality, heavy-duty parts that go into the world's finest equipment by Brunswick.
- Rigid quality control assures maximum protection against part defect or failure.
- Full-time testing of all equipment and continual updating of parts provides the latest improvements.
- Each improved part is designed to be interchangeable with the part it is replacing.
- Efficient cost methods of production and design, reduce the cost of parts.

To place an order contact your certified Brunswick parts distributor or Brunswick at 1-800-YES-BOWL or 231-725-3300. Authorized Brunswick part distributors listings can be found on-line at www.brunswickbowling.com

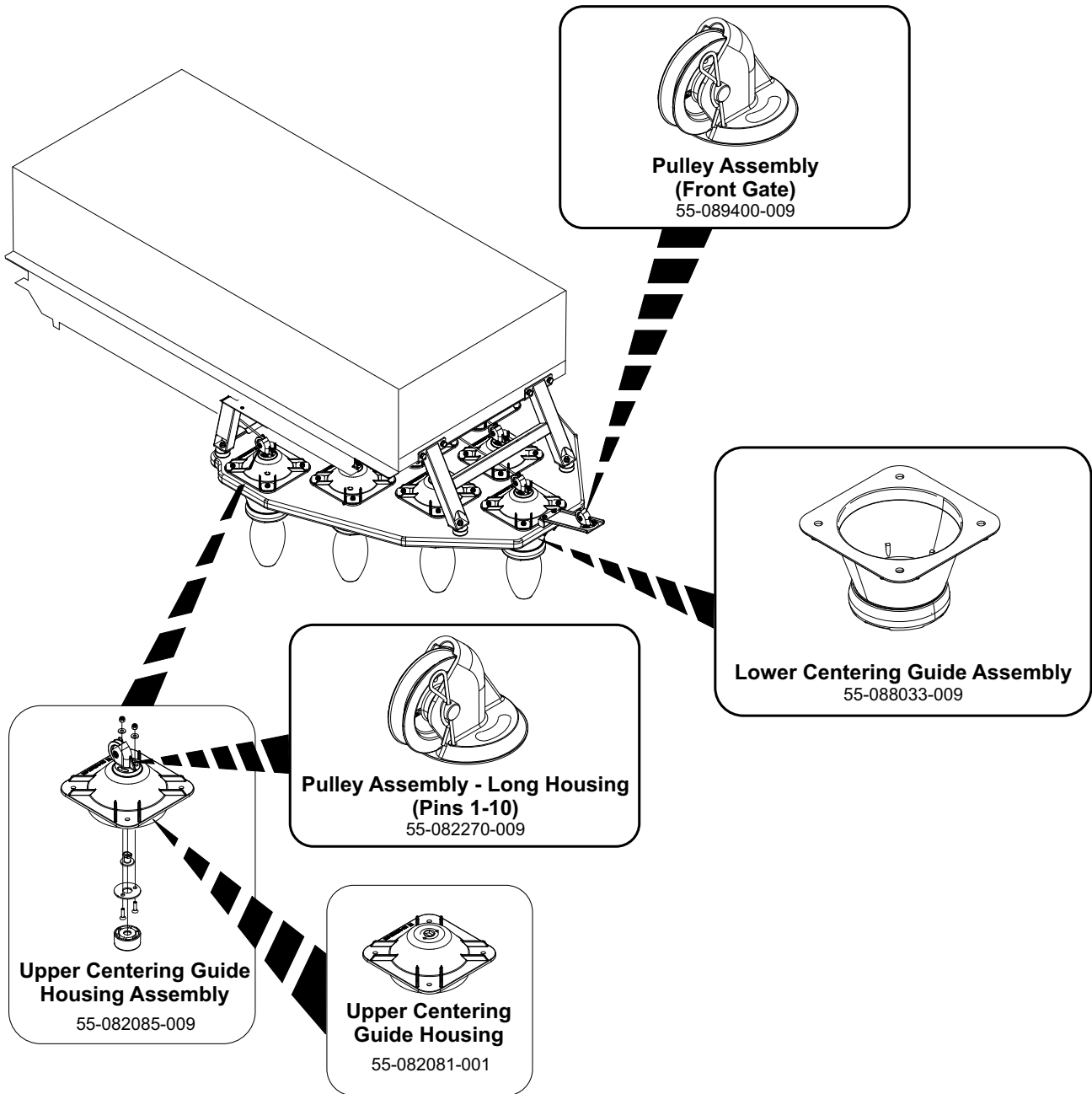
Intentionally Blank Page

Section A

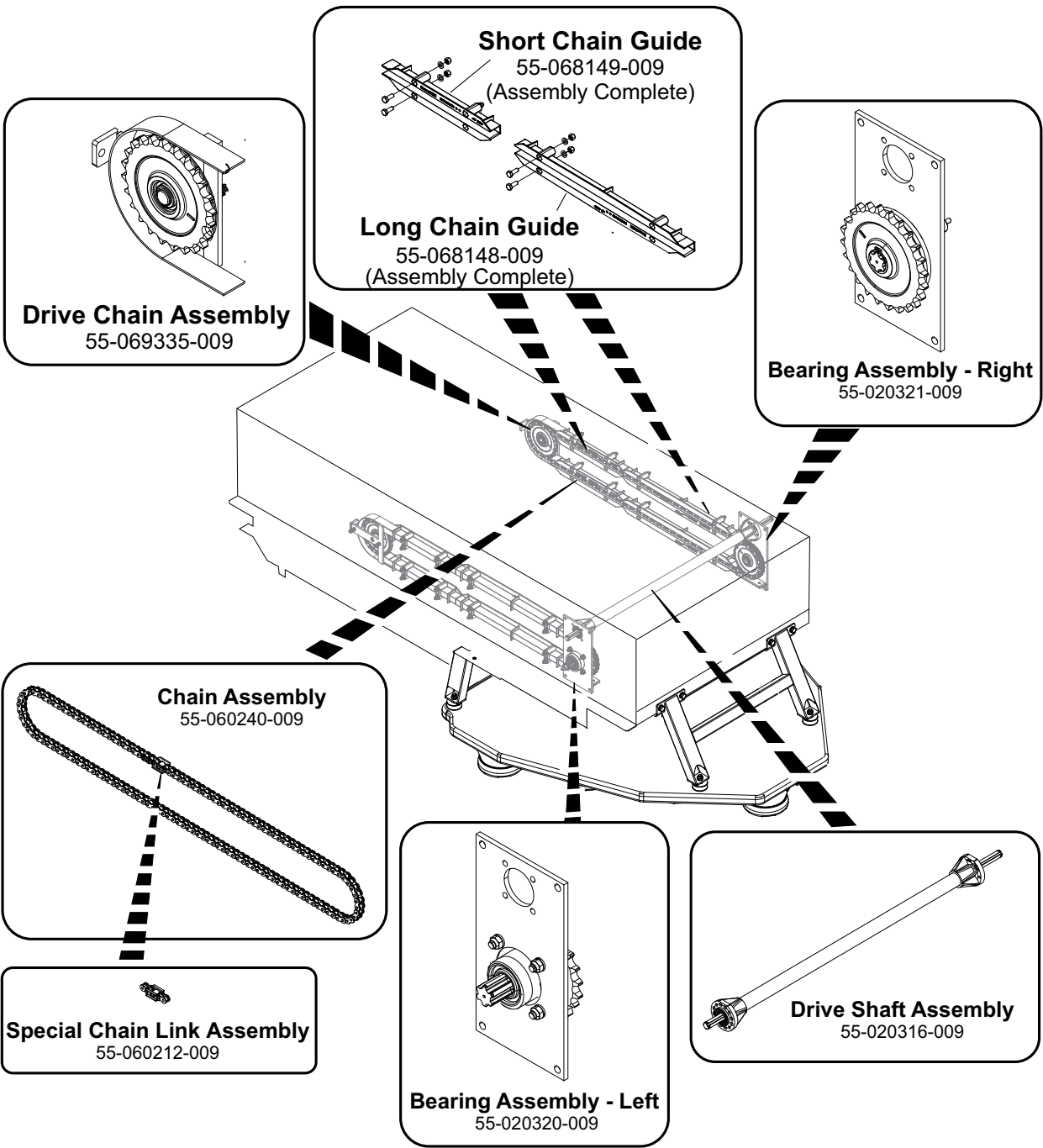
Common Parts - Quick Reference

SECTION REVISION DATE

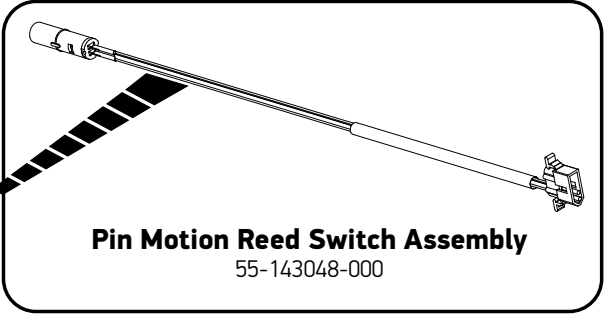
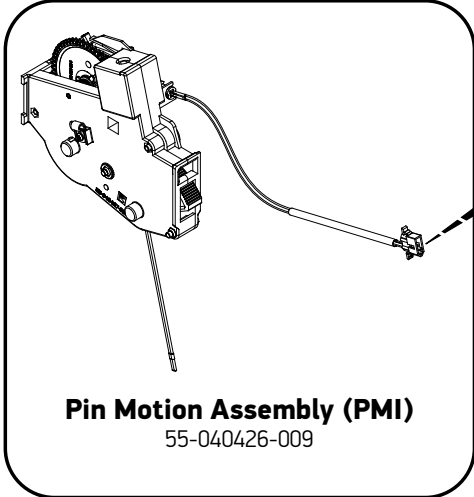
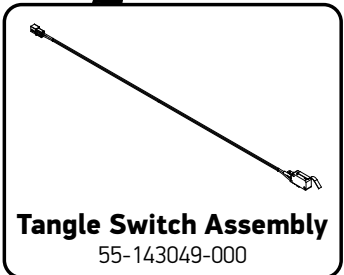
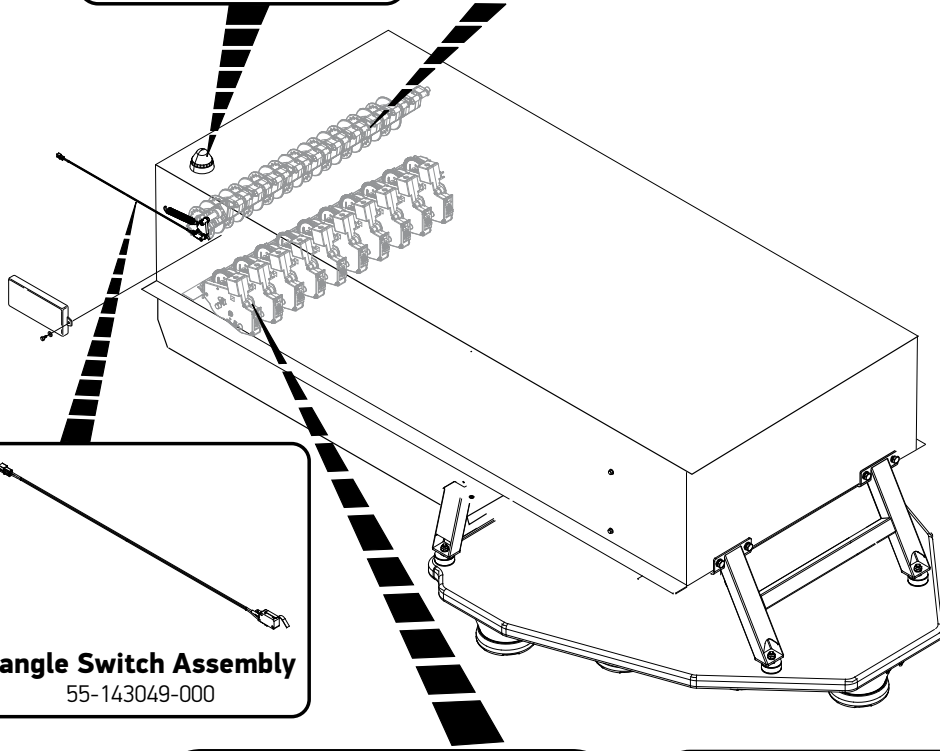
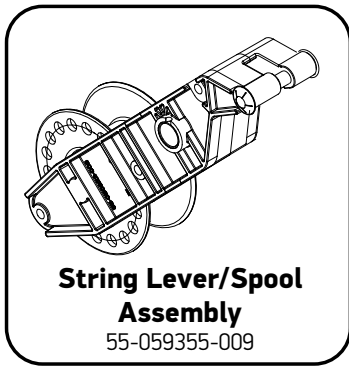
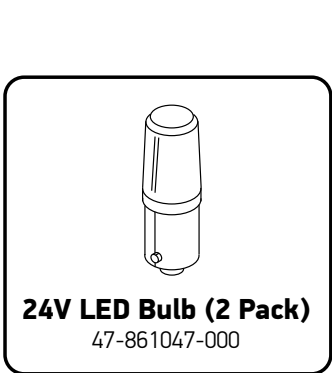
APRIL 2024



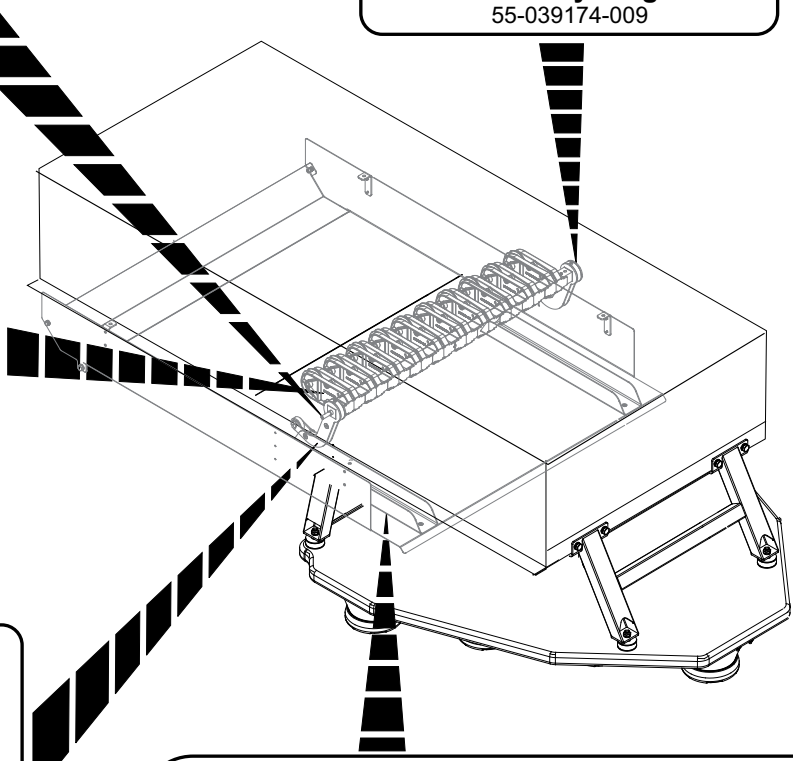
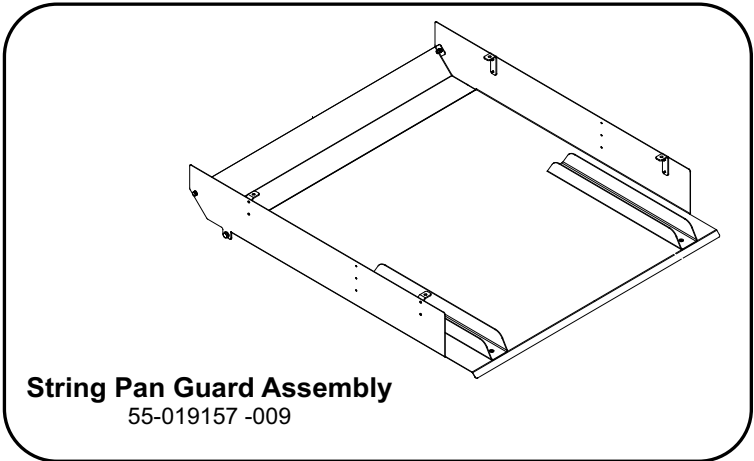
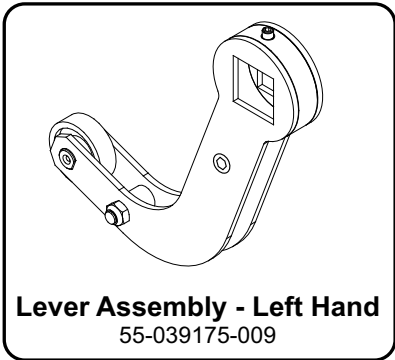
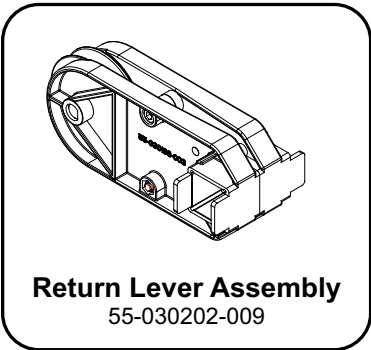
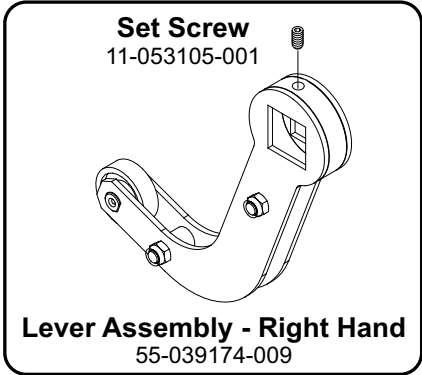
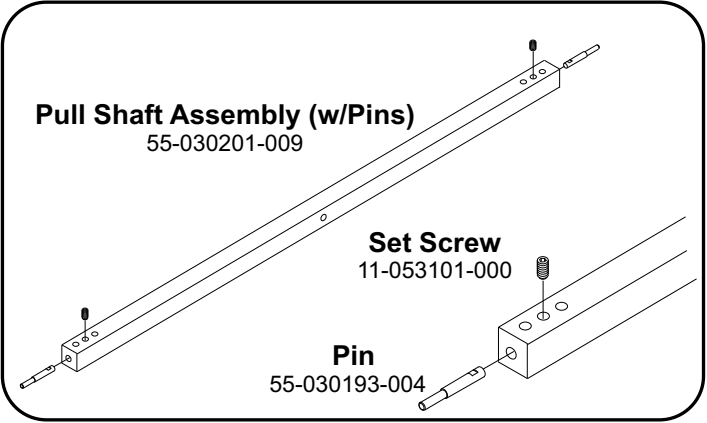
Setting Platform



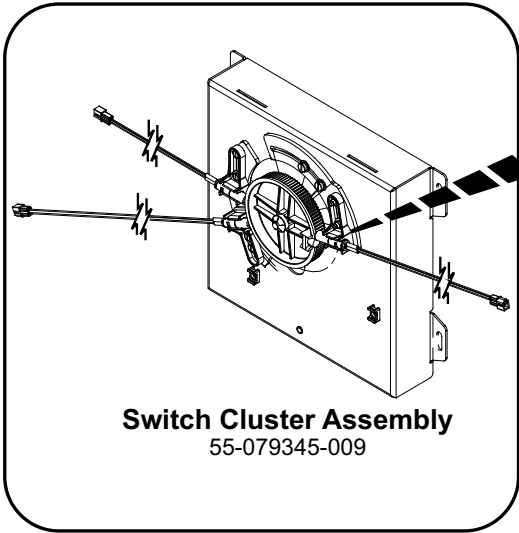
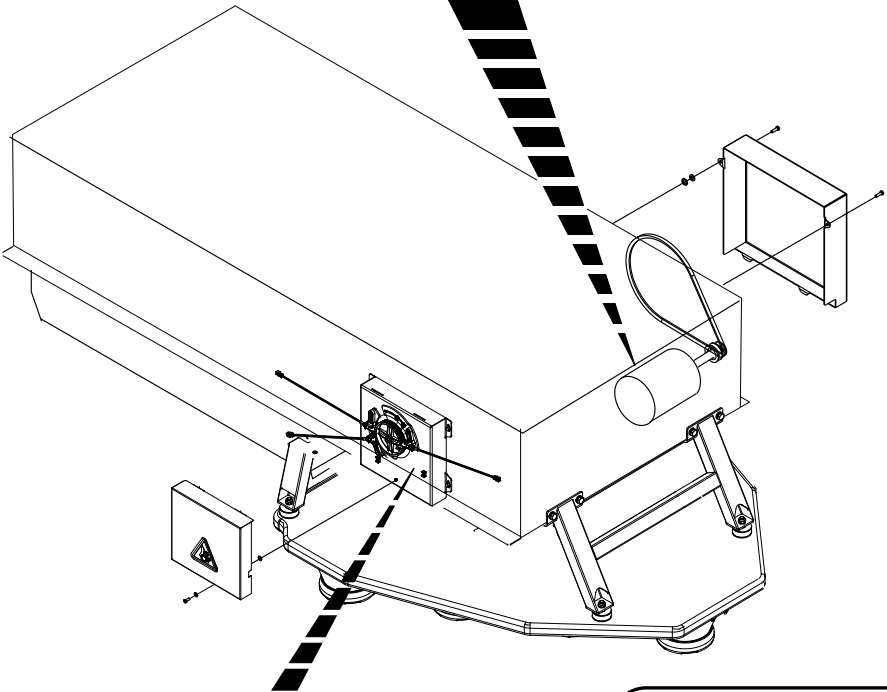
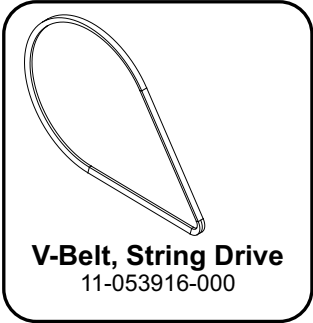
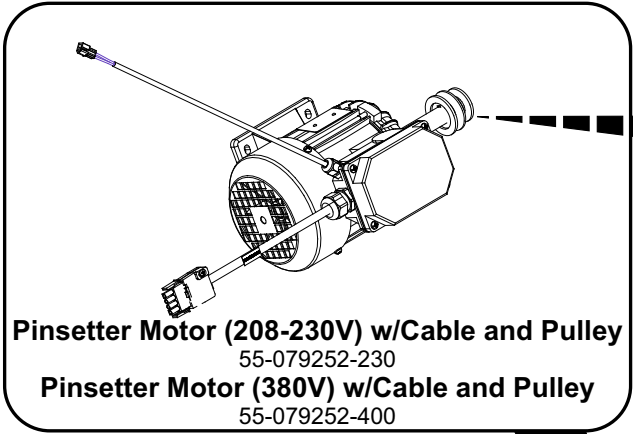
Drive Chain Assembly



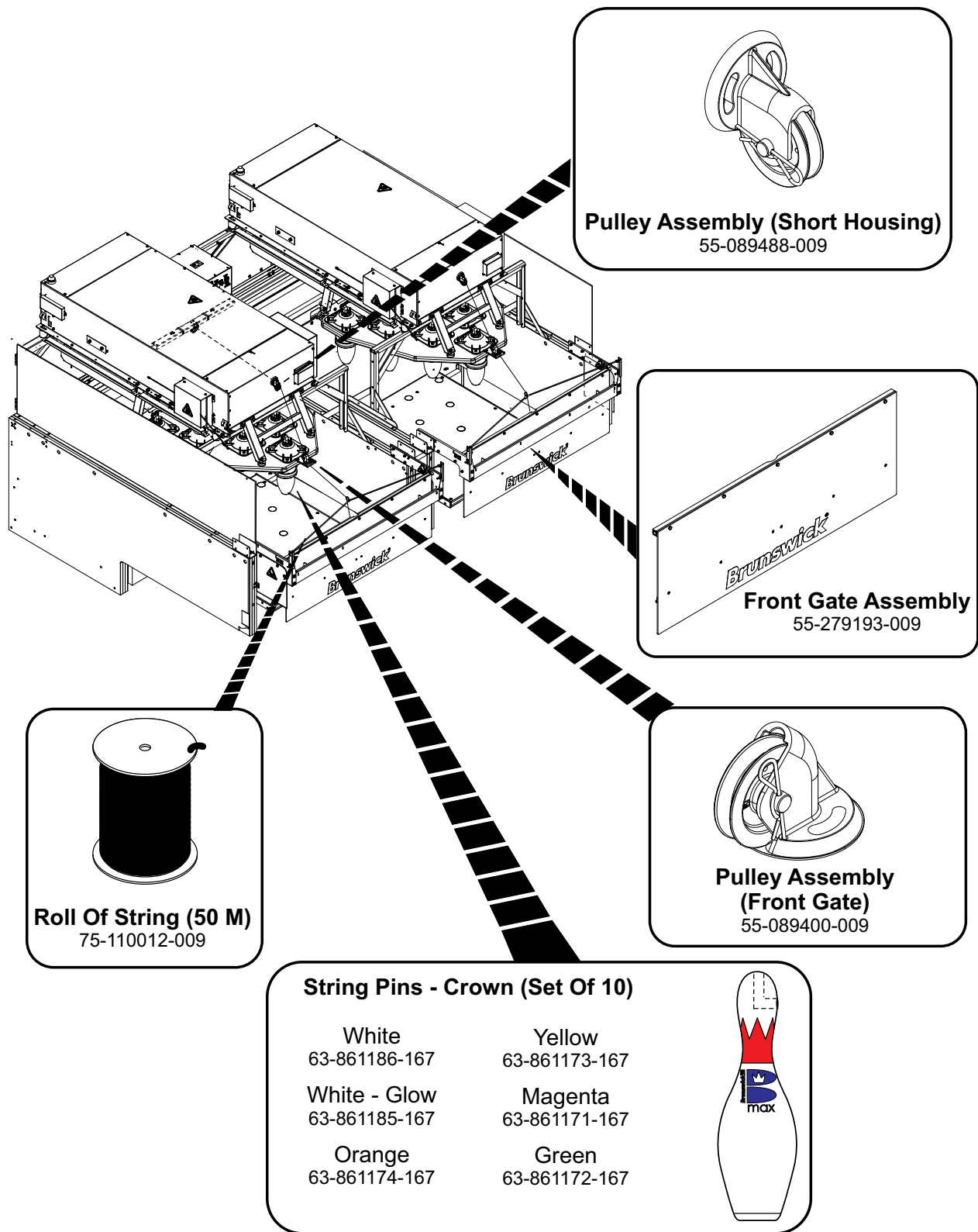
PMI / String Spool Assemblies



Return Lever Assembly

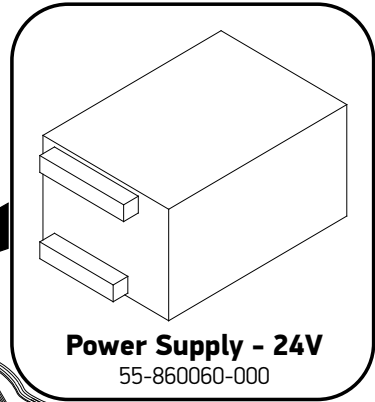
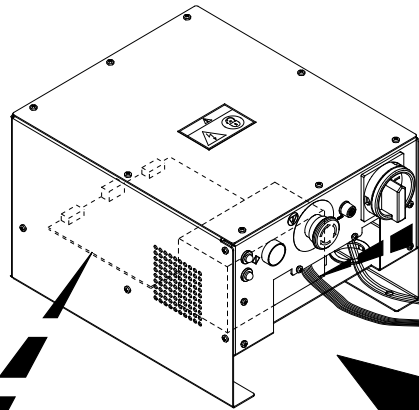


Pinsetter Motor / Switch Cluster Assemblies

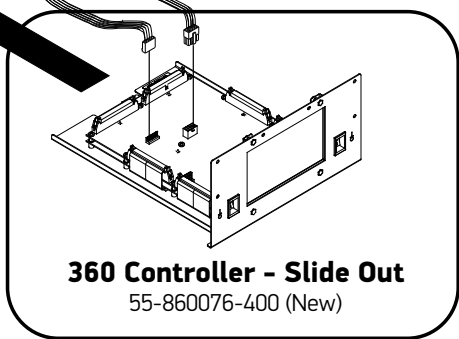


Gate Assembly

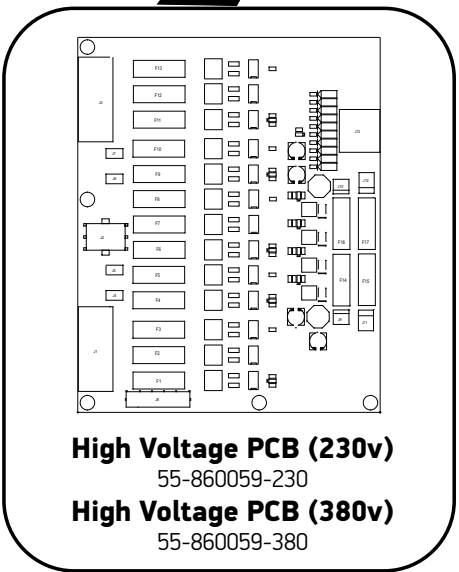
360 Controller - CE 380V/400V
55-860075-400



Power Supply - 24V
55-860060-000

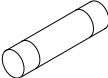


360 Controller - Slide Out
55-860076-400 (New)

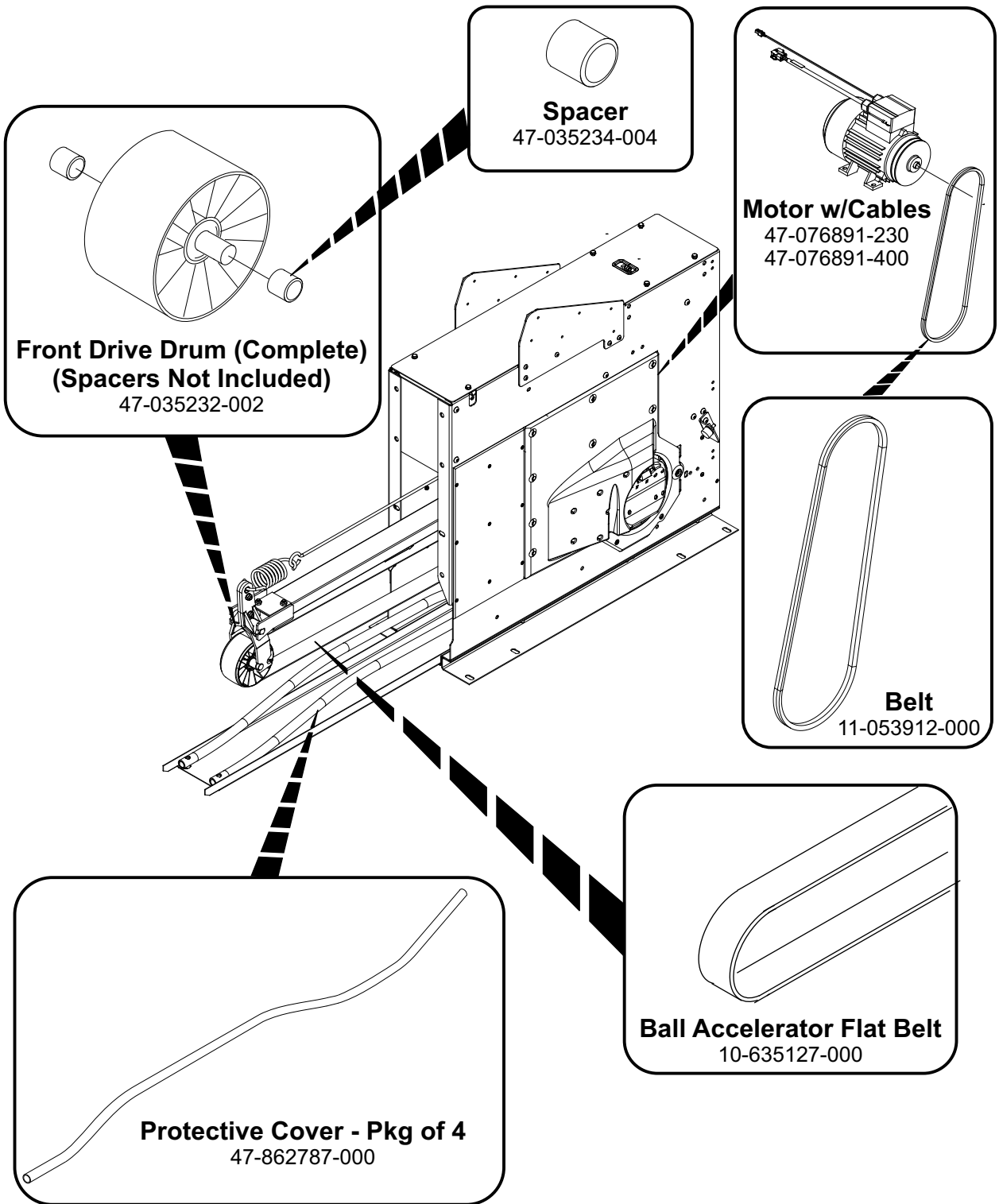


High Voltage PCB (230v)
55-860059-230
High Voltage PCB (380v)
55-860059-380

Fuses

	<i>0.5A 250V Slow Blow - Pkg of 1</i> 11-685056-000
	<i>2.0A 250V Slow Blow - Pkg of 4</i> 57-861635-000
	<i>3.0A 250V Slow Blow - Pkg of 4</i> 57-861874-000
	<i>3.15A 250V Fast Blo - Pkg of 5</i> 47-862854-000

Boost 360 Controller



Ball Accelerator

Intentionally Blank Page

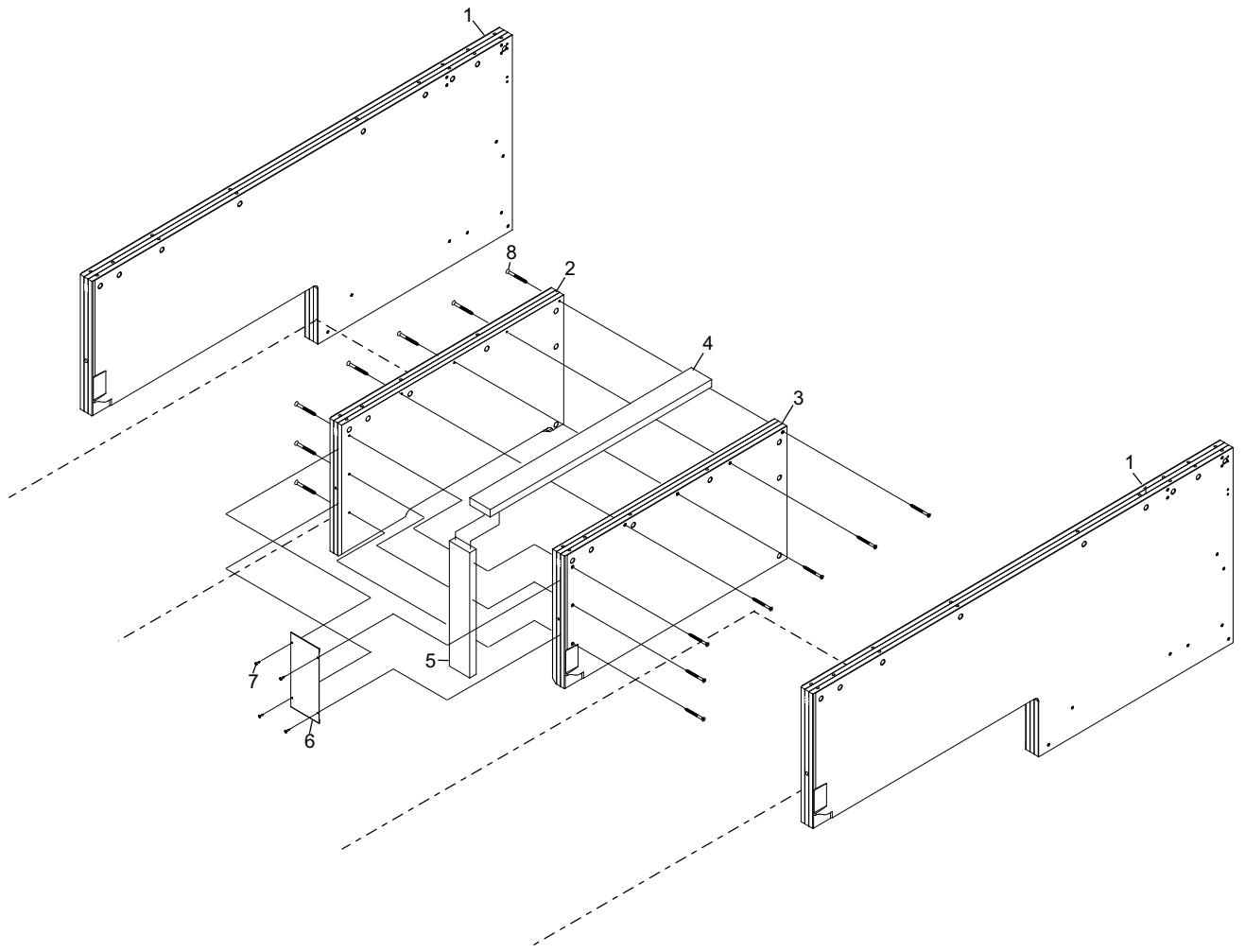
Section B

**Kickbacks, Mounting Frame,
Pit Components, And Gate Assembly**

SECTION REVISION DATE
APRIL 2024

Index No.	Part No.	Package / Order Reference	Description
1.	84-200932-000		Common Kickback, Inside/Outside Division
2.	84-200947-000		Ball Return Kickback - Left
3.	84-200946-000		Ball Return Kickback - Right
4.	84-200948-002		Kickback Filler - Top
5.	84-200948-001		Kickback Filler - Front
6.	55-279510-000		Cover Plate
7.	11-051210-021		Round Head w/Washer (#10 x 1")
8.	11-081203-001		Robertson Screw (#14 x 4")

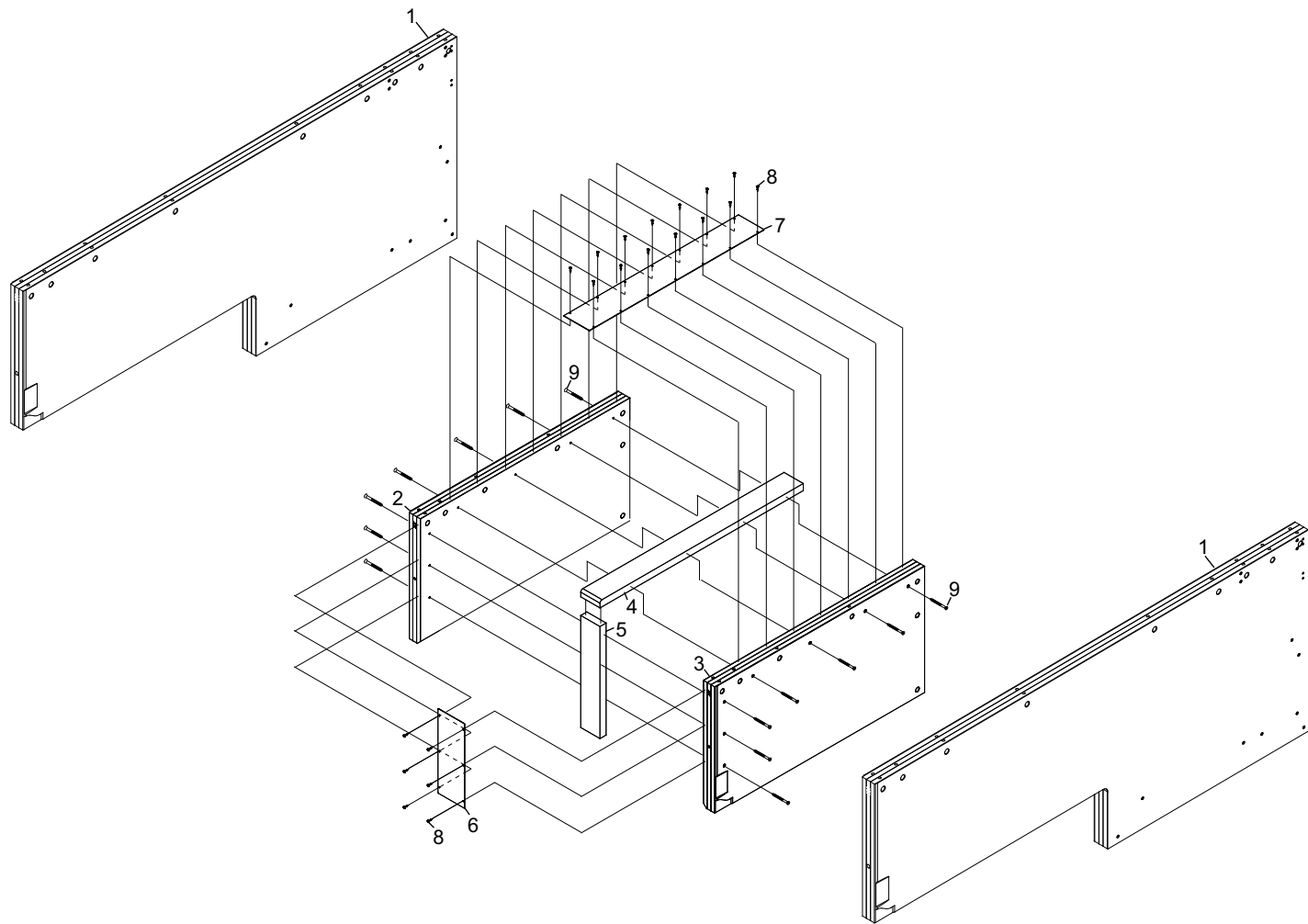
Kick Backs



Kick Backs

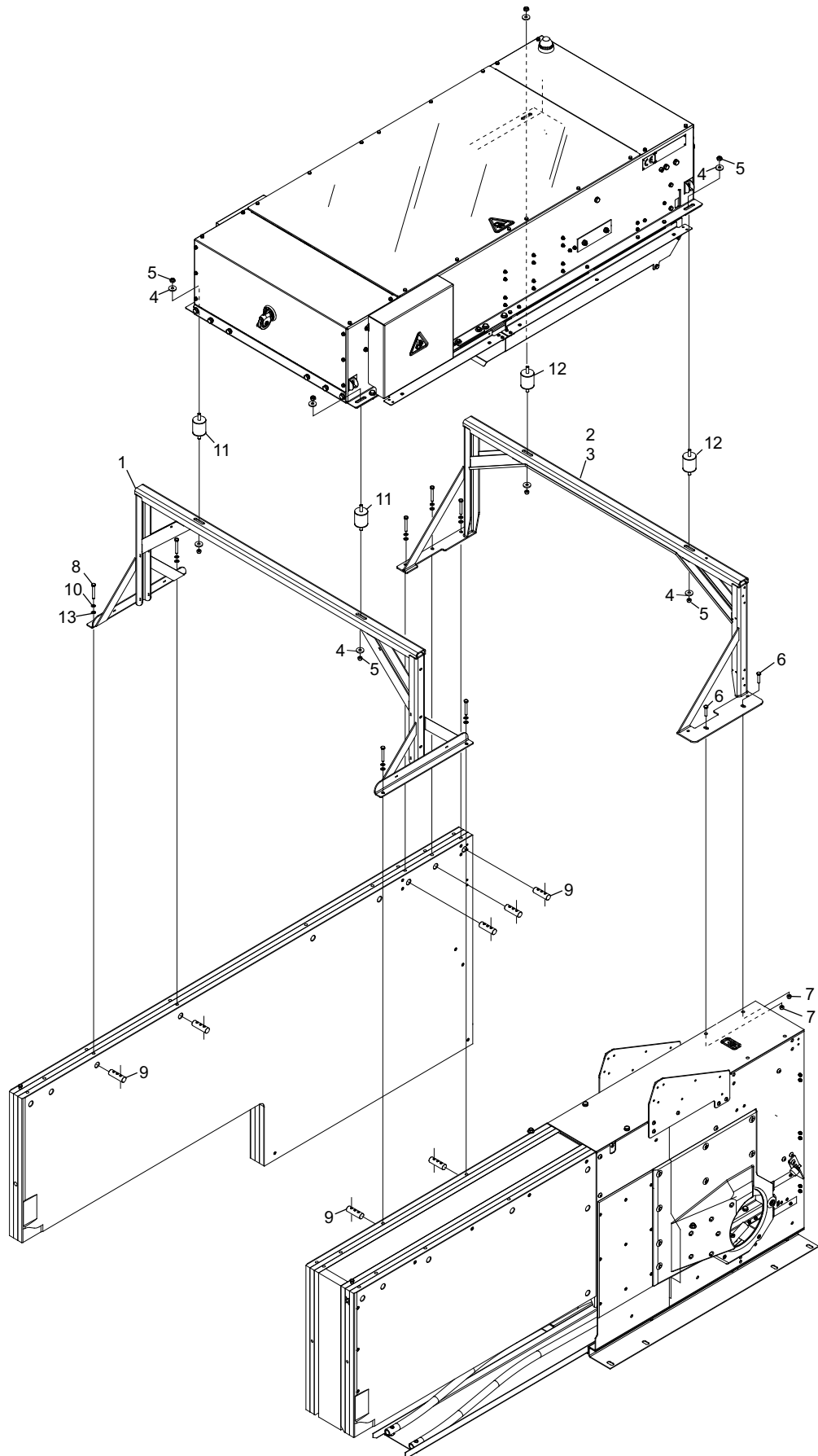
Index No.	Part No.	Package / Order Reference	Description
1.	84-200932-000		Common Kickback, Inside/Outside Division
2.	84-200954-000		Ball Return Kickback - Left
3.	84-200953-000		Ball Return Kickback - Right
4.	84-200955-002		Kickback Filler - Top
5.	84-200955-001		Kickback Filler - Front
6.	55-279935-001		Cover Plate - Front
7.	55-279935-002		Cover Plate - Top
8.	11-051210-021		Round Head w/Washer (#10 x 1")
9.	11-081203-001		Robertson Screw (#14 x 4")

New Kick Backs



New Kick Backs

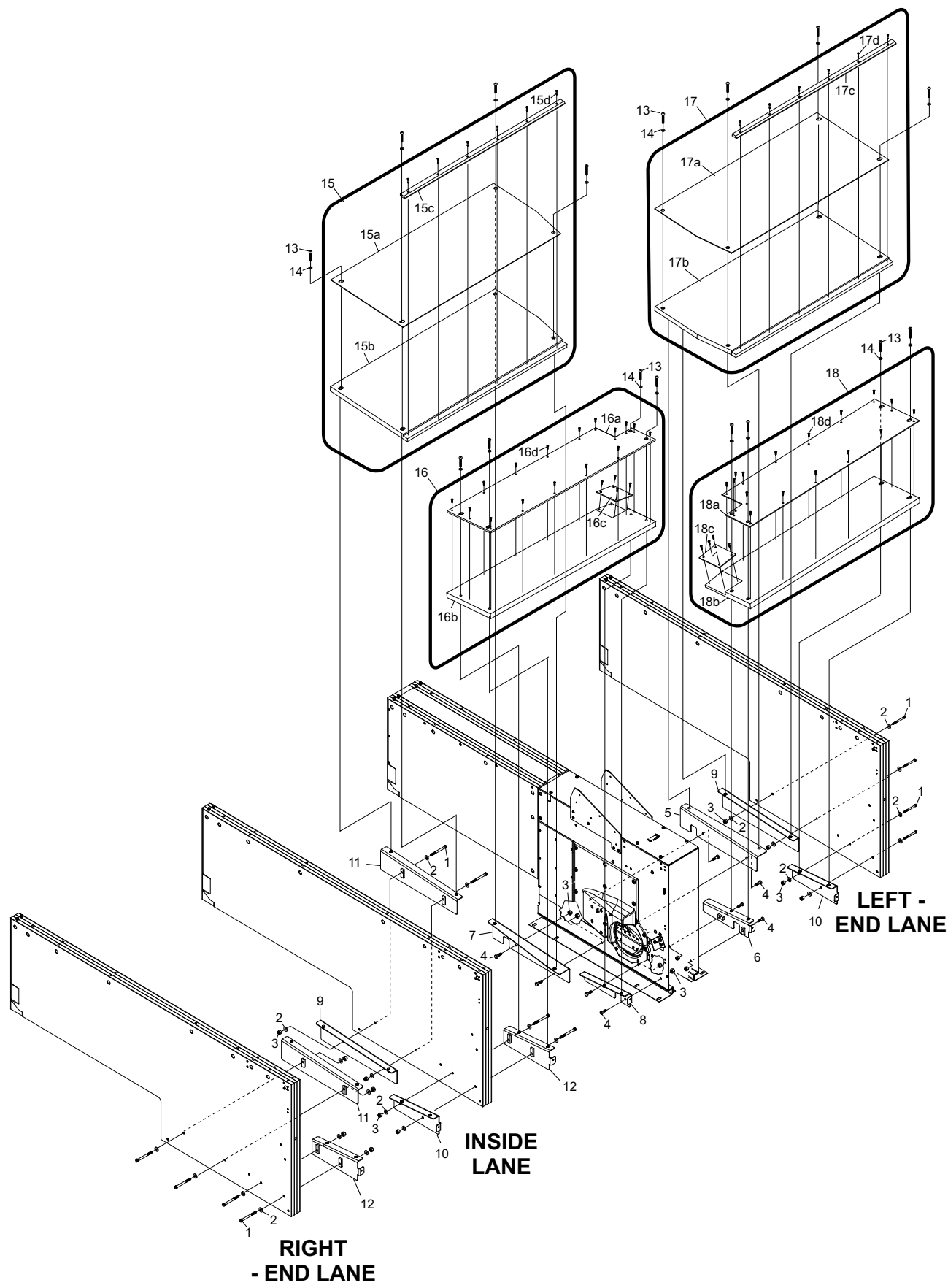
Index No.	Part No.	Package / Order Reference	Description
1.	55-279309-000		Front - Machine Frame
2.	55-279310-002		L.H. Rear Frame w/Door Magnets (UL)
	55-279310-001		L.H. Rear Frame w/Door Camlocks (CE)
3.	55-279311-002		R.H. Rear Frame w/Door Magnets (UL) - Not Shown
	55-279311-001		R.H. Rear Frame w/Door Camlocks (CE) - Not Shown
4.	11-052028-001		Flat Washer
5.	11-051745-001		Locknut
6.	11-051045-001		Hex Head Cap Screw (M10 x 30 mm)
7.	11-051744-001		Locknut
8.	11-051015-000		Hex Head Cap Screw
9.	84-200073-000		Barrel Nut
10.	11-051770-000		Lock Washer
11.	55-278022-000		Rubber Bumper
12.	55-279170-000		Rubber Bumper
13.	11-052003-000		Flat Washer



Mounting Frame Assembly

Index No.	Part No.	Package / Order Reference	Description
1.	11-051569-000		Socket Head Screw (M10 x 120 mm)
2.	11-052028-001		Flat Washer (10 mm)
3.	11-051970-001		Locknut (10 mm)
4.	11-051045-001		Hex Head Cap Screw (10 mm x 30 mm)
5.	55-279458-000		Side Frame L.H. Front - Ball Accelerator
6.	55-279457-000		Side Frame L. H. Rear - Ball Accelerator
7.	55-279455-000		Side Frame R.H. Front - Ball Accelerator
8.	55-279456-000		Side Frame L.H. Rear - Ball Accelerator
9.	55-279461-000		Side Frame L.H. Front - Division Kickback
10.	55-279462-000		Side Frame L.H. Rear - Division Kickback
11.	55-279459-000		Side Frame R.H Front - Division Kickback
12.	55-279460-000		Side Frame R.H Rear - Division Kickback
13.	11-054829-000		Button Head Cap screw (M10 x 50 mm)
14.	11-052018-000		Flat Washer (M10)
15.	55-279306-000		Front Pit Board Assembly R.H.
	15a. 55-279306-C02		Top Pit Board R.H.
	15b. 55-279306-C01		Front Pit Board Plate R.H.
	15c. 55-279463-000		Long Strip
	15d. 11-051894-000		Torx Self Cntr Sink Head Wood Screw (M5 x 35 mm)
16.	55-279308-000		Rear Pit Board R.H.
	16a. 55-279308-C02		Rear Top Plate R.H,
	16b. 55-279308-C01		Rear Pit Board R.H.
	16c. 55-279308-C03		Rear Top Short Plate
	16d. 11-051897-000		Torx Self Cntr Sink Head Wood Screw (M4.5 x 20 mm)
17.	55-279305-009		Front Pit Board Assembly
17a.	55-279305-C02		Front Top Plate L.H,
17b.	55-279305-C01		Front Pit Board Plate
17c.	55-279463-000		Long Strip
17d.	11-051894-000		Torx Self Cntr Sink Head Wood Screw (M5 x 35 mm)
18.	55-279307-000		Rear Pit Board R.H.
	18a. 55-279307-C02		Rear Top Plate R.H.
	18b. 55-279307-C01		Rear Pit Board Plate L.H.
	18c. 55-279307-C03		Rear Top Plate L.H.
	18d. 11-051897-000		Torx Self Center Sink Head Wood Screw (M4.5 x 20 mm)

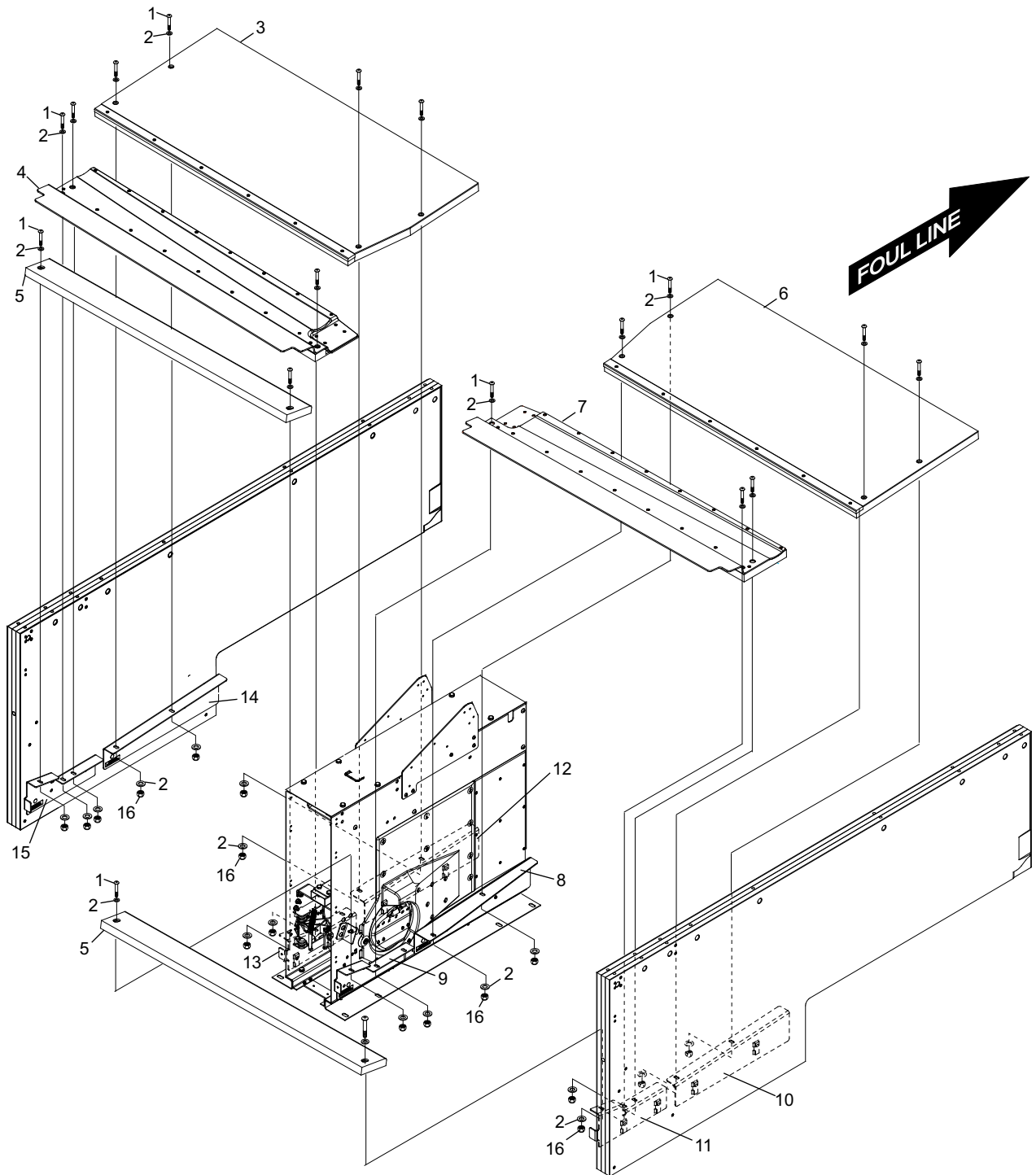
Pit Frames and Boards



Pit Frames and Boards

Index No.	Part No.	Package / Order Reference	Description
1.	11-054829-000		Button Head Cap screw (M10 x 50 mm)
2.	11-052018-001		Flat Washer
3.	55-279698-009		Assembly R.H. Front Pit Board
4.	55-279682-009		Pit Board R.H. Rear Front
5.	55-279688-000		Rear Common Pit Board
6.	55-279697-009		Assembly L.H. Front Pit Board
7.	55-279681-009		Assembly Pit Board L.H. Rear Front
8.	55-279694-000		Pit Board Mounting Bracket L.H. Front - Ball Accelerator
9.	55-279690-000		Pit Board Mounting Bracket L.H. Rear - Ball Accelerator
10.	55-279693-000		Pit Board Mounting Bracket L.H. Front - Division Kickback
11.	55-279689-000		Pit Board Mounting Bracket L.H. Rear - Division Kickback
12.	55-279696-000		Pit Board Mounting Bracket R.H. Front - Ball Accelerator
13.	55-279692-000		Pit Board Mounting Bracket R.H. Rear - Ball Accelerator
14.	55-279695-000		Pit Board Mounting Bracket R.H. Front - Division Kickback
15.	55-279691-000		Pit Board Mounting Bracket R.H. Rear - Division Kickback
16.	11-051745-001		Lock Nut (M10 w/Nylon Insert)

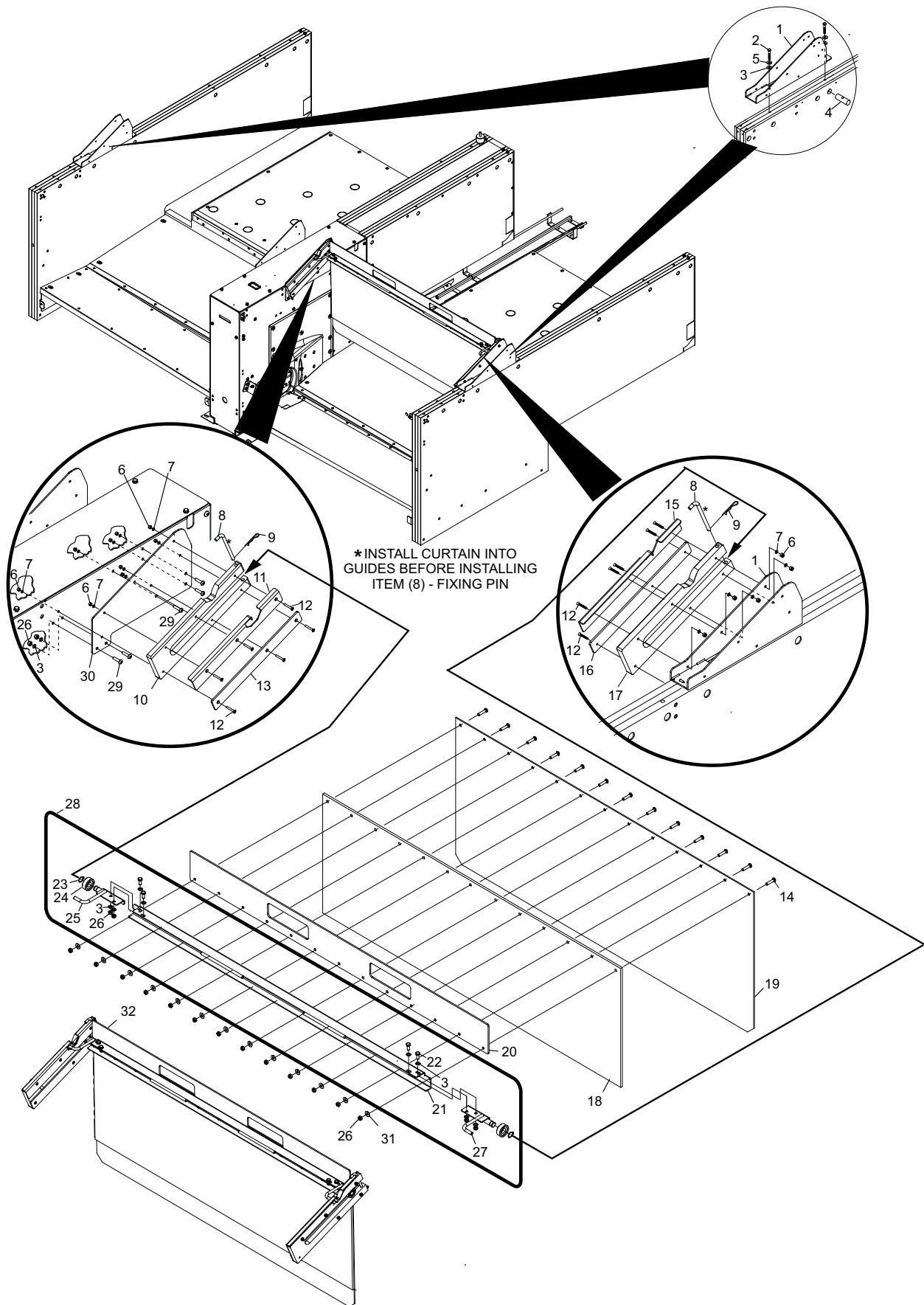
Pit Frames and Boards - Vacuum Formed



Pit Frames and Boards - Vacuum Formed

Index No.	Part No.	Package / Order Reference	Description
1.	55-279312-000		Curtain Holder - Division Side
2.	11-051054-001		Hex Head Cap Screw (M8 x 60 mm)
3.	11-052003-001		Flat Washer (M8)
4.	84-200073-000		Barrel Nut (M8)
5.	11-051770-001		Lock Washer (M8)
6.	11-051742-000		Locknut (M5)
7.	11-052020-001		Flat Washer (M10)
8.	55-279204-000		Fixing Pin
9.	11-054300-000		Cotter Pin
10.	55-279199-000		Side Curtain Holder, R.H.
11.	55-279202-000		Curtain Guide Rail, R.H.
12.	11-052941-001		Flat Head Socket Screw
13.	55-279395-000		Protector Plate, R.H.
14.	11-051815-000		Button Head Screw (M8 x 35 mm)
15.	55-279201-000		Curtain Guide Rail, L.H.
16.	55-279394-000		Protector Plate, R.H.
17.	55-279200-000		Side Curtain Holder, L.H.
18.	55-279203-001		Assembly, Moving Pin Curtain Holder
19.	55-279197-000		Pin Curtain, Front
20.	47-021084-000		Rubber Curtain
20.	55-279356-000		Upper Guard
21.	55-279203-000		Moving Pin Curtain Holder
22.	11-051010-000		Hex Head Cap Screw (M8 x 20 mm)
23.	11-051852-000		External Retaining Ring
24.	55-279393-000		Bearing
25.	55-279296-000		Assembly Adjusting Plate, R.H.
26.	11-051744-000		Locknut (M4)
27.	55-279295-000		Assembly Adjusting Plate, L.H.
28.	55-279203-001		Assembly, Moving Pin Curtain Holder
29.	11-054801-001		Button Head Screw
30.	55-109301-000		Curtain Holder
31.	11-052006-000		Flat Washer
32.	55-279196-009		Curtain Assembly

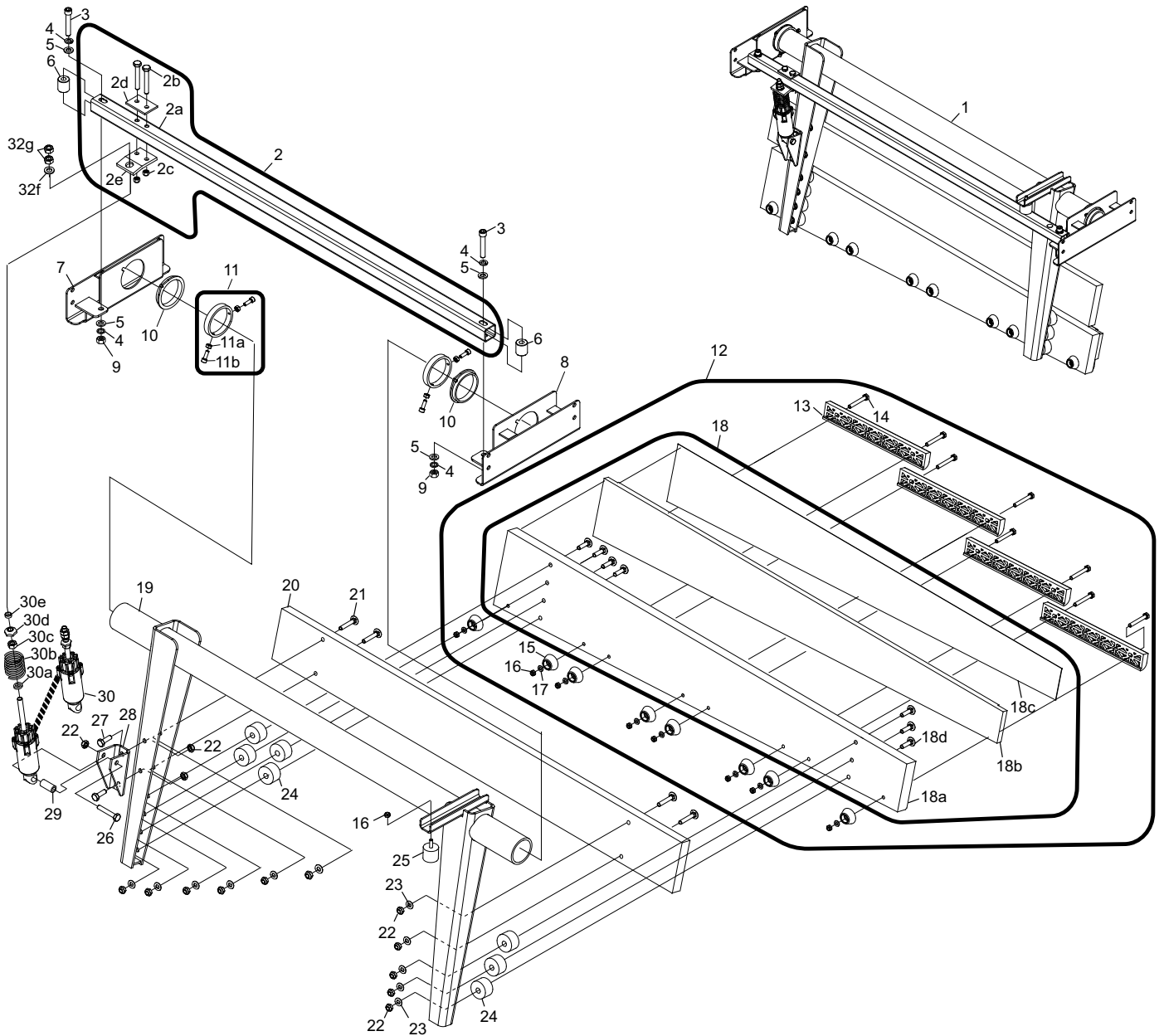
Pit Curtain



Pit Curtain

Index No.	Part No.	Package / Order Reference	Description
1.	55-279323-009		L.H. Ball Cushion Assembly
2.	55-279320-009		Transverse Bar Assembly
	2a. 55-279320-000		Traverse Bar
	2b. 11-051031-000		Hex Head Cap Screw (M10 x 65 mm)
	2c. 11-051745-000		Locknut (M4)
	2d. 47-021120-004		Square Tube Mounting Plate
	2e. 47-021111-004		Hydraulic Mounting Plate
3.	11-051554-000		Socket Head Cap Screw (M12 x 70 mm)
4.	11-051772-000		Lock Washer
5.	11-052015-000		Flat Washer
6.	47-021110-004		Square Tube Spacer
7.	55-279319-000		Ball Cushion Holder, RH
8.	55-279318-000		Ball Cushion Holder, LH
9.	11-051706-000		Locknut
10.	99-010108-004		Bearing
11.	47-020953-004		Stop Collar
	11a. 11-051702-000		Hex Nut
	11b. 11-051515-000		Socket Head Cap Screw (M8 x 16 mm)
12.	55-279321-009		Assembly, Ball Cushion Board, LH - includes index nos 13, 14, 15, 16, 17, 18, 18a, 18b, 18c, and 18d
13.	47-021010-003		Impact Strip
14.	11-051055-000		Hex Head Cap Screw (M8 x 60 mm)
15.	47-023660-004		Cap
16.	11-051744-000		Locknut
17.	11-052003-000		Flat Washer
18.	47-027221-000		Assembly, Ball Cushion Board, LH - includes index nos. 18a, 18b, 18c and 18d
	18a.47-027219-000		Ball Cushion Board, LH
	18b.47-024953-000		PUR Foam Pit Board, LH
	18c.47-025152-003		Facing
	18d.11-052623-000		Carriage Bolt (M10 x 40 mm)
19.	55-279316-000		String Cushion Frame, LH
20.	55-279392-000		Ball Cushion Baiord, Top
21.	11-052618-000		Carriage Bolt (M10 x 40 mm)
22.	11-051745-000		Locknut
23.	11-054274-001		Flat Washer
24.	99-070398-004		Rubber Bumper
25.	11-053591-000		Motor Mount
26.	11-051071-000		Hex Head Cap Screw (M10 x 60 mm)
27.	11-051019-000		Hex head Cap Screw (M10 x 25 mm)
28.	47-025637-000		Support
29.	47-052638-000		Spacer
30.	99-026121-000		Shock, Complete - includes index nos. 30a, 30b, 30c, 30d, and 30e
	30a. 11-055351-000		Seal
	30b. 47-071602-004		Spring
	30c. 11-051706-000		Hex Nut
	30d. 47-021119-004		Round Top
	30e. 47-021108-004		Spacer for Hydraulic

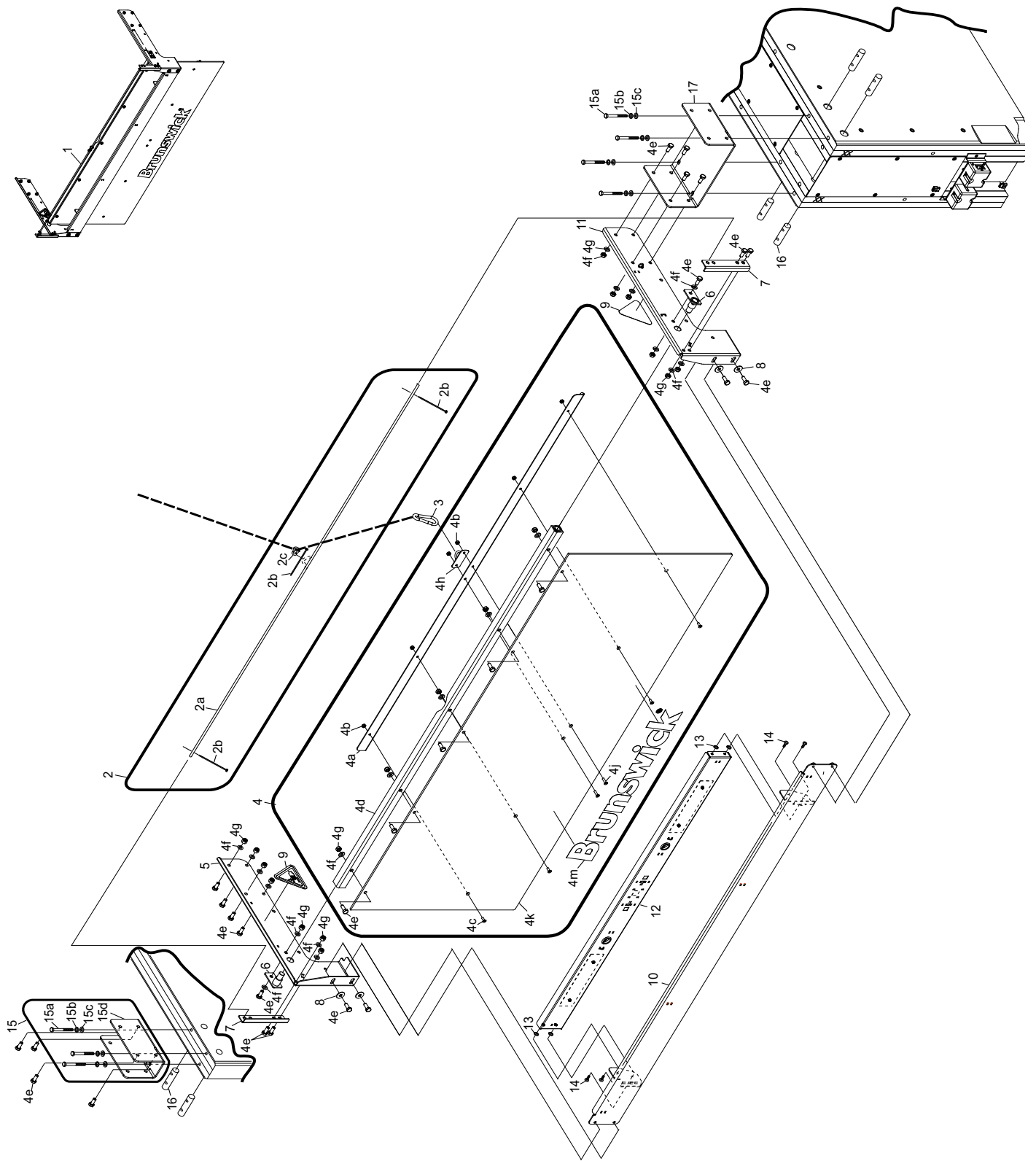
Ball Cushion



Ball Cushion

Index No.	Part No.	Package / Order Reference	Description
1.	55-279195-009		Front Gate Package - does not include index No. 12
2.	55-277826-000		Assembly Elastic String
	2a. 55-277826-000		Elastic String
	2b. 11-603119-000		Cable Tie
	2c. 11-599006-000		Snap Hook
3.	11-599005-000		Snap Ring
4.	55-279193-009		Assembly Front Gate
	4a. 55-279211-000		Cross Support
	4b. 11-052742-000		Locknut (M5)
	4c. 11-051947-000		Flat Socket Head Cap Screw
	4d. 55-279194-000		Front Gate Support
	4e. 11-051010-000		Hex Head Cap Screw
	4f. 11-052003-000		Flat Washer
	4g. 11-051744-000		Lock Nut (M8)
	4h. 11-056301-000		Clasp Eyepad
	4j. 11-052953-000		Flat Socket Head Cap Screw
	4k. 55-279193-000		Gate Board Plate
5.	55-279209-000		L.H. Front Gate Holder
6.	55-279207-000		Fixing Pin
7.	55-277827-000		"L" Bracket
8.	11-052019-000		Flat Washer
9.	99-268201-003		"Pinch Point" Safety Label
10.	55-279210-000		Pin Light Holder
11.	55-279208-000		RH Front Gate Holder
12.	57-501526-000		Nitro Deck Lite Dual Color
	57-501524-000		Nitro Deck Lite Multi Color
13.	11-052023-021		External Tooth Lock Washer
14.	11-053788-015		Pan Head Screw (M5 x 12 mm)
15.	55-279350-009		Package - Front Gate Support, LH - includes index Nos. 15a, 15b, 15c, and 15d
	15a. 11-051054-001		Hex Head Cap Screw (M8 x 60 mm)
	15b. 11-051770-001		Lock Washer
	15c. 11-052003-000		Flat Washer
	15d. 55-279337-000		Front Gate Support, LH
16.	84-200073-000		Barrel Nut
17.	55-277934-000		Front Gate Support - Ball Return

Front Gate / Pinlight



Front Gate / Pinlight

Intentionally Blank Page

Section C

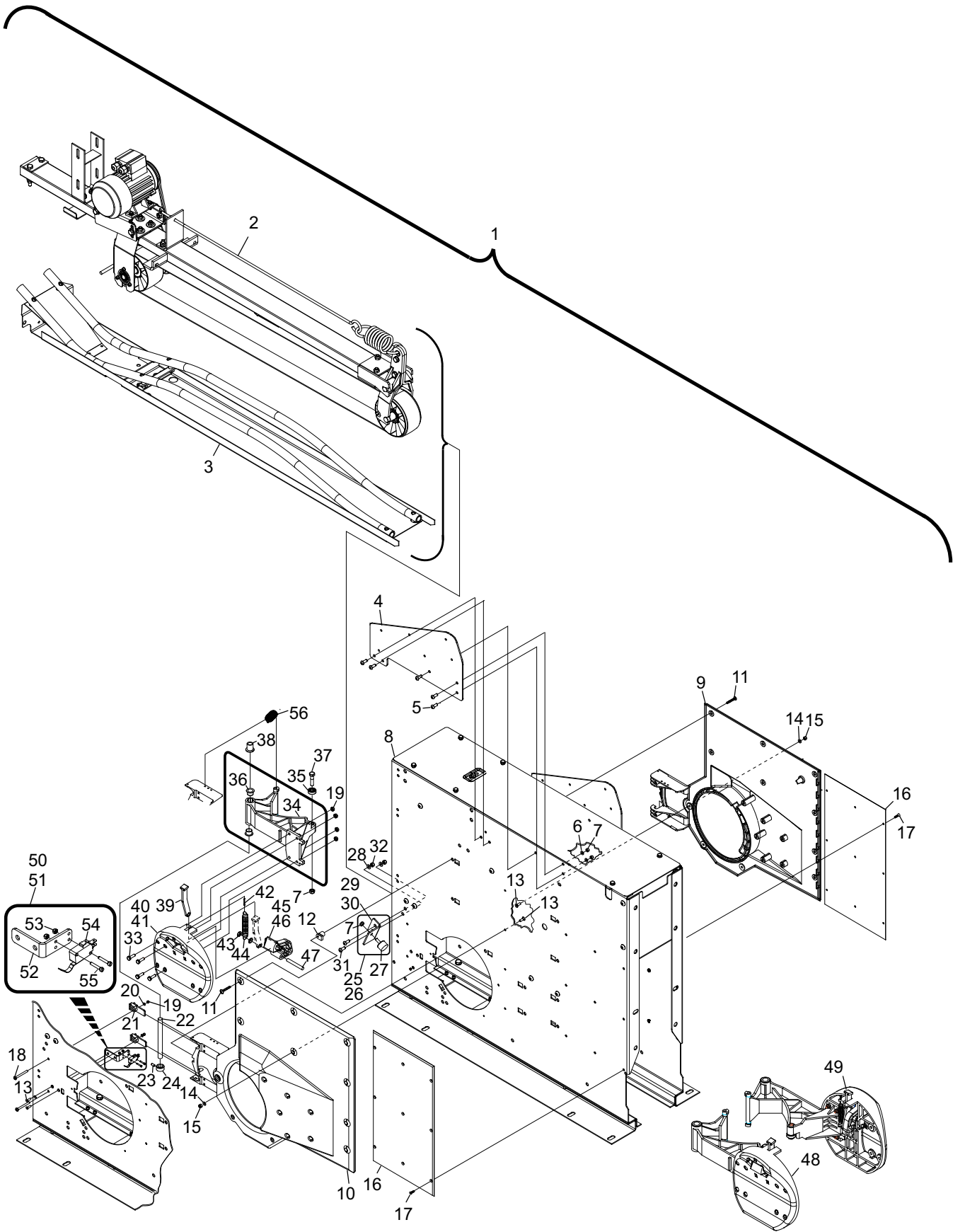
**Ball Accelerator /
Ball Elevator**

SECTION REVISION DATE

June 2024

Index No.	Part No.	Package / Order Reference	Description
1.	55-109489-xxx		Boost Ball Accelerator Complete w/Drive and Guide Assembly
2.	47-036695-xxx		Drive Assembly for Ball Accelerator (XXX)
3.	47-037474-009		Ball Guide Assembly
4.	55-109301-000		Curtain Holder
5.	11-054801-000		Button Head Socket Cap Screw (M8 x 20 mm)
6.	11-052003-000		Flat Washer
7.	11-051744-000		Lock Nut (M8)
8.	55-109490-000		Ball Accelerator Box Assembly
9.	47-035241-000		Accelerator Side Plate L.H.
10.	47-035240-001		Accelerator Side Plate R.H.
11.	11-054466-000		Button Head Screw (K60 x 25 mm)
12.	11-055800-000		EJOT Plastic Nut
13.	11-052933-000		Flat Socket Head Screw
14.	11-052020-000		Flat Washer
15.	11-051752-000		Locknut (M5)
16.	55-109495-000		Ball Accelerator Box Protector Plate
17.	11-052947-000		Flat Socket Head Screw
18.	11-053795-000		Pan Head Screw (M6 x 60 mm)
19.	11-051743-001		(M6) Locknut
20.	11-052008-000		(M6) Flat Washer
21.	47-035239-004		Holder
22.	47-035238-004		Ball Door Arm Shaft
23.	11-053101-001		Set Screw (M x 8 mm)
24.	11-053622-000		Stop Ring
25.	55-279288-009		Ball Cushion Stop Assembly L.H.
26.	55-279289-009		Ball Cushion Stop Assembly R.H. - Not Illustrated
27.	99-020434-004		Rubber Bumper
28.	11-052018-001		Flat Washer
29.	55-279288-000		Cushion Stop L.H.
30.	55-279289-000		Cushion Stop R.H. - Not Illustrated
31.	11-054805-000		Button Socket Head Cap Screw (M10 x 25 mm)
32.	11-051745-000		Locknut
33.	11-051018-000		Hex Head Cap Screw (M6 x 20 mm)
34.	47-035099-001		Ball Door Lever
35.	11-430046-000		Bearing
36.	47-034842-004		Bushing
37.	11-051067-000		Hex Head Cap Screw (M8 x 35 mm)
38.	99-010102-004		Bushing
39.	47-031822-004		Lever
40.	47-031054-002 L		Accelerator Ball Door L.H.
41.	47-031054-002 R		Accelerator Ball Door R.H. - Not Illustrated
42.	11-051793-000		Split Pin
43.	11-053477-000		Speed Nut
44.	47-034767-004		Tension Spring
45.	47-031056-003		Ball Door Key L.H.
46.	47-031055-003		Ball Door Key R.H. - Not Illustrated
47.	47-031091-004		Ball Door Shaft
48.	47-033555-009		Ball Door w/Arm Assembly, L.H.
49.	47-033556-009		Ball Door w/Arm Assembly, R.H.
50.	47-036706-009		Ball Door Sensor Assembly, L.H.
51.	47-036707-009		Ball Door Sensor Assembly, R.H. - Not Illustrated
52.	47-036711-001		Ball Door Sensor Bracket
53.	11-051746-000		Locknut
54.	11-050325-004		Micro Switch
55.	11-052216-000		Slot Head Machine Screw (M3 x 18 mm)
56.	47-030276-004		Door Spring

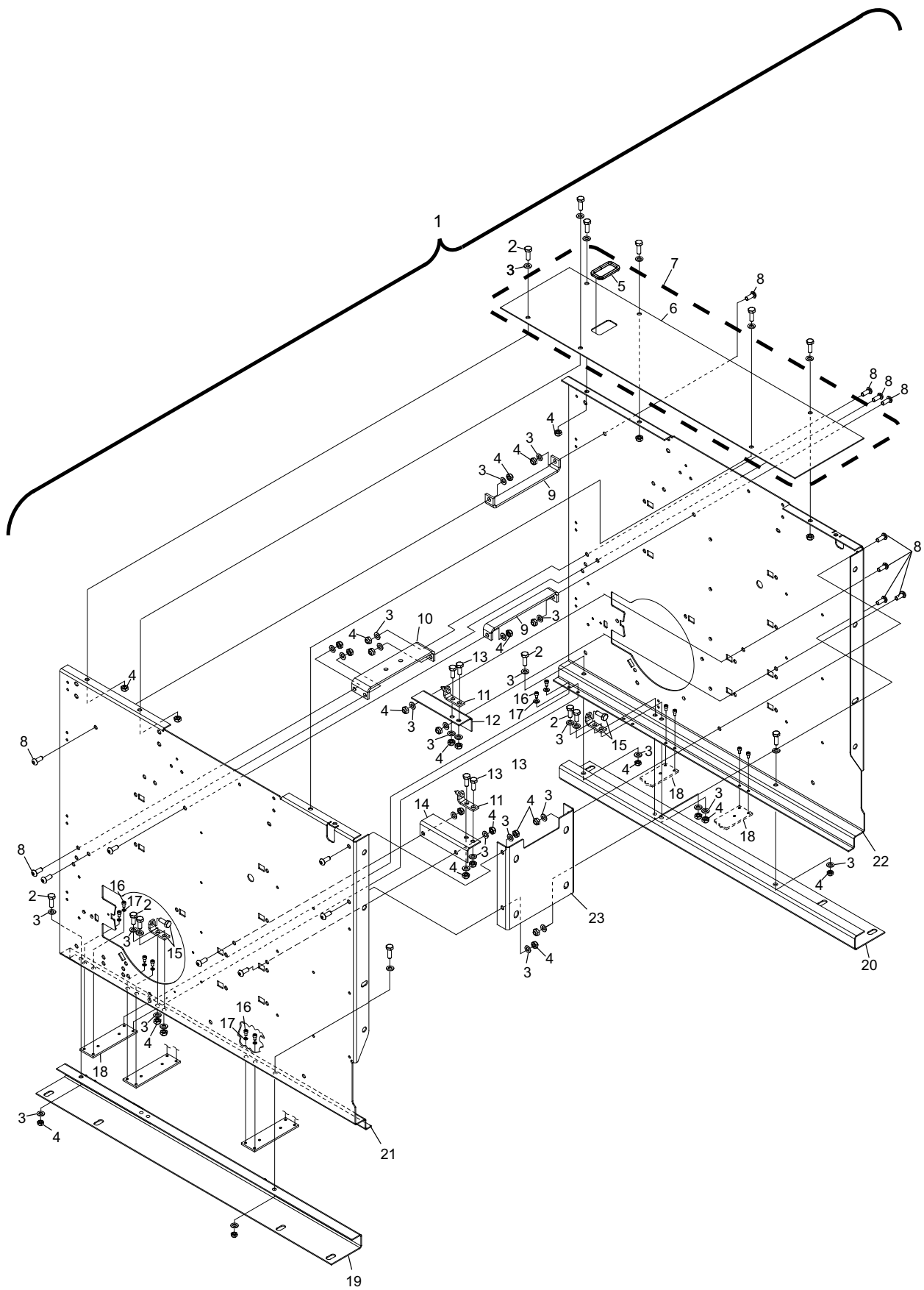
Ball Accelerator Assembly (Subway)



Ball Accelerator Assembly (Subway)

Index No.	Part No.	Package / Order Reference	Description
1.	55-109490-000		Accelerator Box Assembly
2.	11-051045-000		Hex Head Cap Screw (M10 x 30 mm)
3.	11-052018-000		Flat Washer (M10)
4.	11-051745-000		Locknut (M10)
5.	47-083085-004		Edge Protection
6.	55-109287-000		Top Plate Ball Accelerator Box
7.	55-109287-001		Top Plate Assembly w/Edge Protection
8.	11-054805-000		Button Socket Head Screw (M10 x 25 mm)
9.	47-035207-000		Cross Support Brace
10.	47-035228-000		Cross Support Brace
11.	47-035220-003		Bracket for Ball Accelerator
12.	47-035223-000		Front Support R.H. For Ball Accelerator
13.	11-051019-000		Hex Head Cap Screw (M10 x 25 mm)
14.	47-035224-000		Front Support L.H. For Ball Accelerator
15.	47-035219-003		Angle Bracket
16.	11-051519-000		Socket Head Cap Screw (M6 x 10 mm)
17.	11-055250-001		Flat Washer
18.	47-035204-003		Plate
19.	55-109494-000		C-Profile, L.H.
20.	55-109493-000		C-Profile, R.H.
21.	55-109492-000		Side Plate, L.H.
22.	55-109491-000		Side Plate, R.H.
23.	47-035208-000		Support Plate

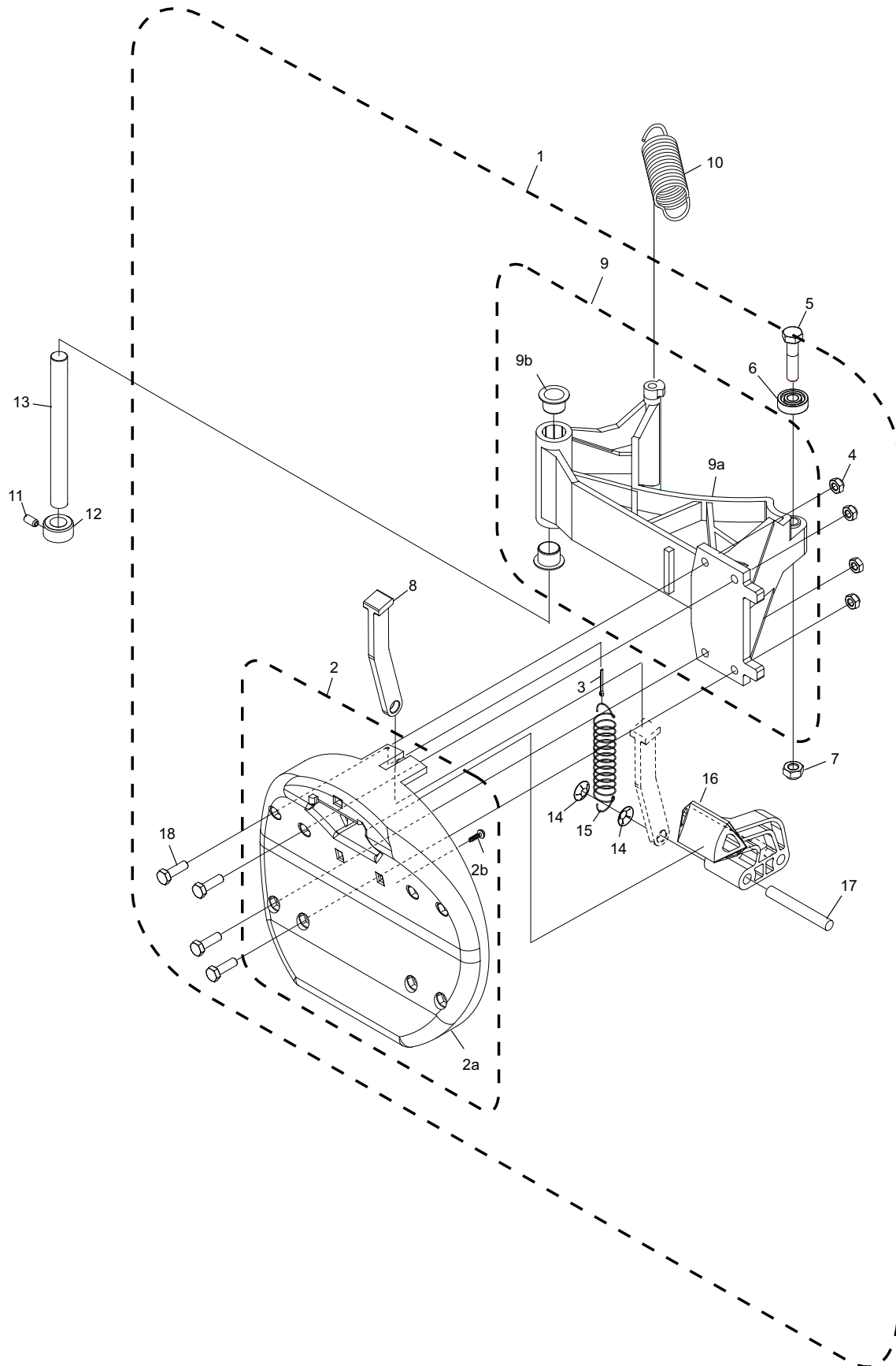
Accelerator Box Assembly (Subway)



Accelerator Box Assembly (Subway)

Index No.	Part No.	Package / Order Reference	Description
1.	47-035555-009		Ball Door Assembly w/Arm, L.H.
2.	47-031054-002		Ball Door Assembly
	2a. 47-031054-C01		Ball Door - only
	2b. 11-054463-000		Self Tapping Screw (KB30 x 7 mm)
3.	11-051793-000		Split Pin
4.	11-051743-000		(M6) Locknut
5.	11-051067-000		Hex Head Cap Screw (M8 x 35 mm)
6.	11-430046-000		Bearing
7.	11-051743-000		Locknut
8.	47-031822-004		Lever
9.	47-031058-001		Arm w/Bushings
	9a. 47-035099-001		Arm
	9b. 47-034842-004		Bushing
10.	47-030276-004		Tension Spring
11.	11-053101-001		Set Screw
12.	11-053622-000		Stop Ring
13.	47-035238-004		Ball Door Arm, Shaft
14.	11-053477-001		Speed Nut
15.	47-034767-004		Spring
16.	47-031056-003		Ball Door Key, L.H.
17.	47-031091-004		Shaft
18.	11-051018-000		Hex Head Cap Screw (M6 x 20 mm)

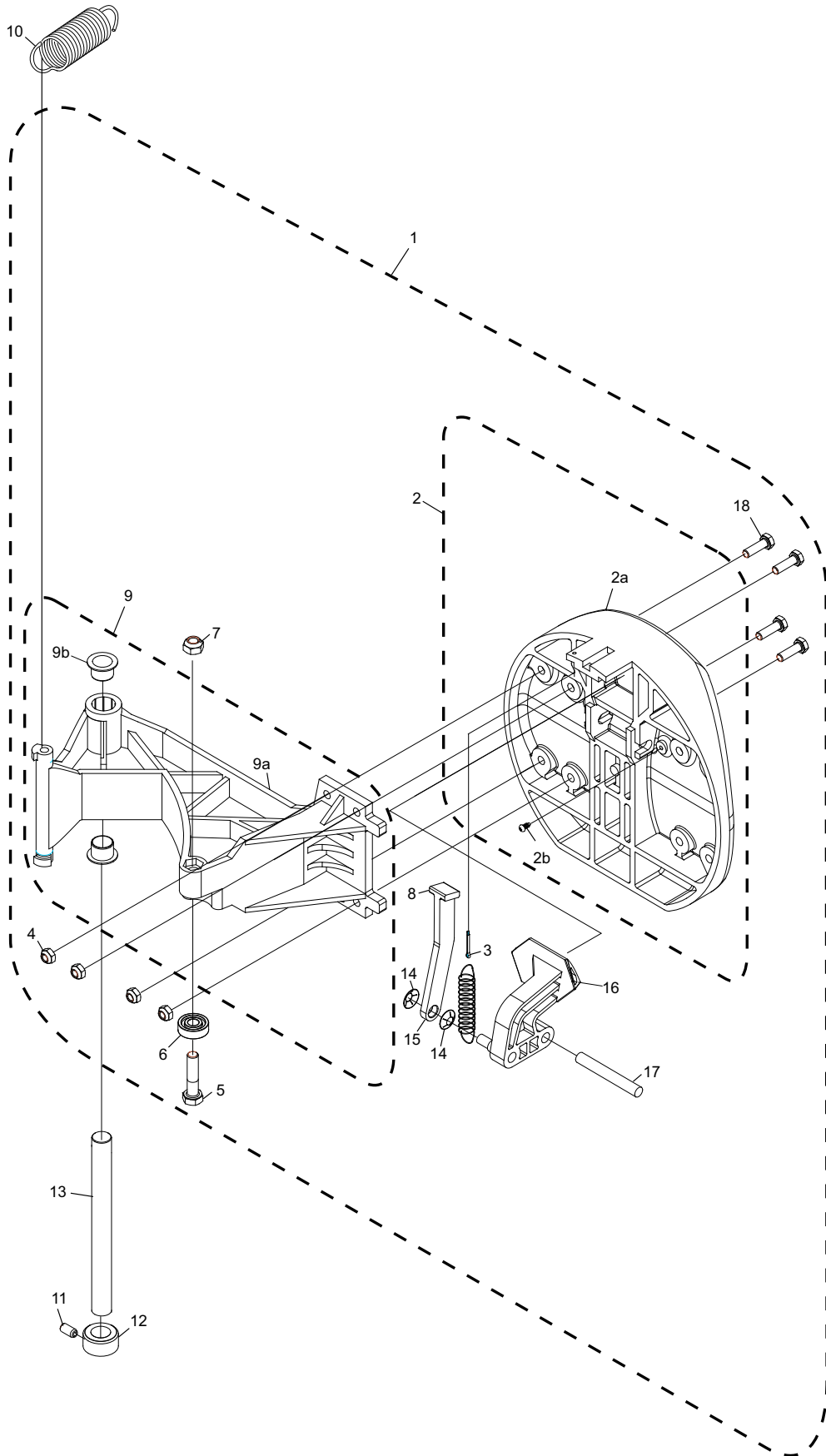
Ball Door/Lock Assembly, Left Hand (Subway)



Ball Door/Lock Assembly, Left Hand (Subway)

Index No.	Part No.	Package / Order Reference	Description
1.	47-035556-009		Ball Door Assembly w/Arm, R.H.
2.	47-031054-002		Ball Door Assembly
	2a. 47-031054-C01		Ball Door - only
	2b. 11-054463-000		Self Tapping Screw (KB30 x 7 mm)
3.	11-051793-000		Split Pin
4.	11-051743-000		(M6) Locknut
5.	11-051067-000		Hex Head Cap Screw (M8 x 35 mm)
6.	11-430046-000		Bearing
7.	11-051744-000		(M8) Locknut
8.	47-031822-004		Lever
9.	47-031058-001		Arm w/Bushings, Assembly
	9a. 47-035099-001		Arm
	9b. 47-034842-004		Bushing
10.	47-030276-004		Tension Spring
11.	11-053101-001		Set Screw
12.	11-053622-000		Stop Ring
13.	47-035238-004		Ball Door Arm, Shaft
14.	11-053477-001		Speed Nut
15.	47-034767-004		Spring
16.	47-031055-003		Ball Door Key, R.H.
17.	47-031091-004		Shaft
18.	11-051018-000		Hex Head Cap Screw (M6 x 20 mm)

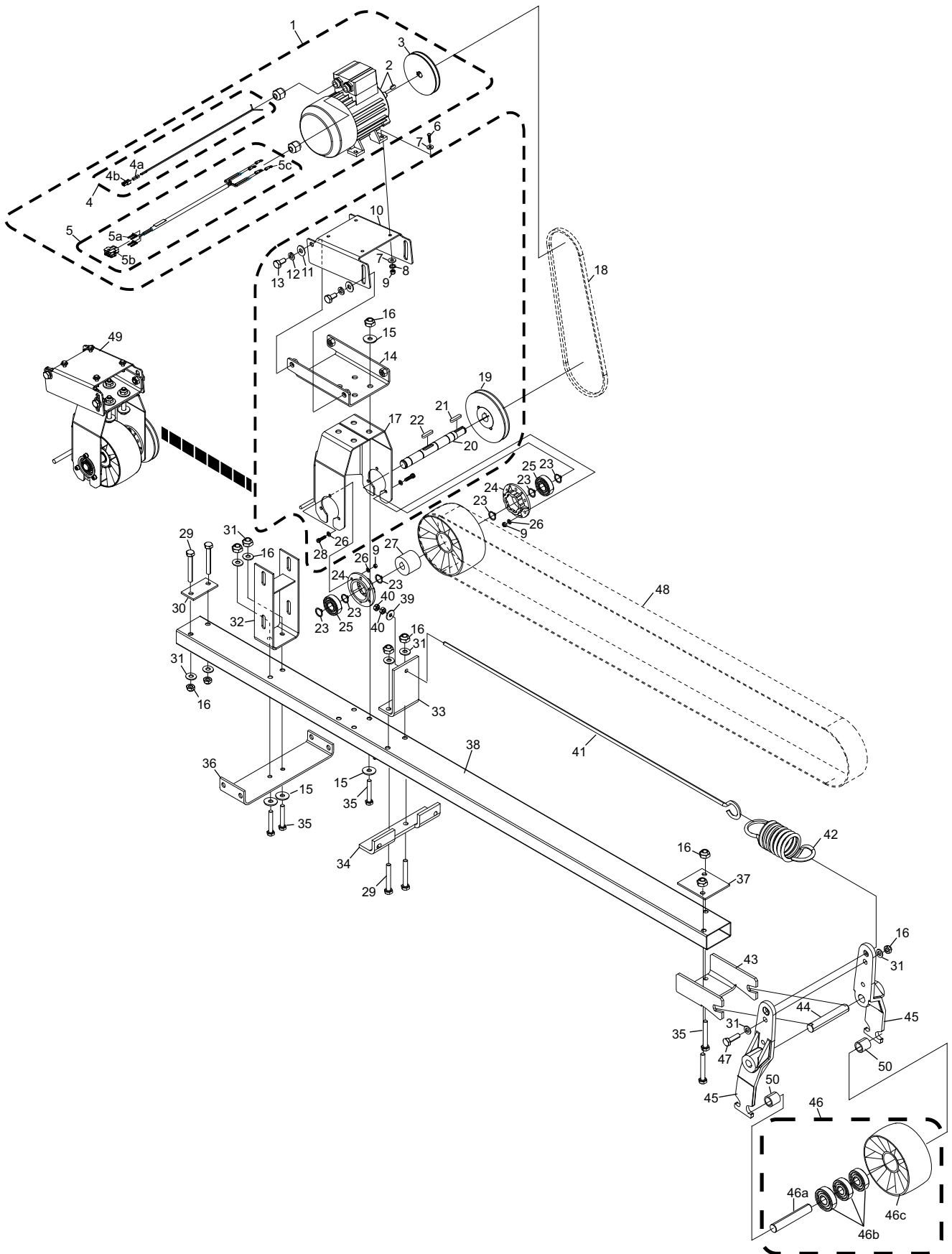
Ball Door/Lock Assembly, Right Hand (Subway)



Ball Door/Lock Assembly, Right Hand (Subway)

Index No.	Part No.	Package / Order Reference	Description
1.	47-076891-230		208/230V Motor w/Cables and Pulley - includes index nos. 2, 3, 4, 4a, 4b, 5, 5a, 5b, and 5c
	47-076891-400		400V Motor w/Cables and Pulley - includes index nos. 2, 3, 4, 4a, 4b, 5, 5a, 5b, and 5c
2.	99-076885-000		Motor w/Key
3.	47-036703-001		Pulley
4.	47-245429-004		Thermal Overload Switch, Cable Assembly - includes index nos. 4, 4a, and 4b
	4a.11-680302-000		Pin
	4b.11-680116-001		Housing
5.	47-076898-000		Ball Accelerator Cable - includes index nos. 5a, 5b, and 5c
	5a.11-696737-000		Terminal
	5b.11-696719-000		Housing
	5c.47-224762-004		Terminal
6.	11-051028-001		Hex Head Cap Screw
7.	11-052048-001		Flat Washer
8.	11-051769-000		Lock Washer
9.	11-051743-000		Locknut
10.	47-037451-000		Upper Motor Mounting Plate
11.	11-052028-000		Flat Washer
12.	11-051771-000		Lock Washer
13.	11-051005-000		Hex Head Cap Screw (M10 x 20 mm)
14.	47-037452-000		Plate
15.	11-052050-001		Flat Washer
16.	11-051745-000		Locknut
17.	47-036697-001		Bracket
18.	11-053912-000		Belt
19.	47-025049-003		V-Belt Pulley
20.	47-036700-001		Shaft
21.	11-053508-001		Key
22.	11-053509-001		Key
23.	11-051853-000		Retaining Ring
24.	47-014752-003		Bearing Housing
25.	11-430015-000		Bearing
26.	11-052007-000		Flat Washer
27.	47-036701-001		Driving Roller
28.	11-051520-000		Socket Head Cap Screw (M3 x 30 mm)
29.	11-051093-000		Hex Head Cap Screw (M10 x 75 mm)
30.	47-035344-004		Plate
31.	11-052018-001		Flat Washer
32.	47-035225-000		Ball Accelerator Support
33.	47-035235-000		Support Bracket
34.	47-035229-000		Shaft Holder
35.	11-051087-000		Hex Head Cap Screw (M10 x 65 mm)
36.	47-036704-000		Cross Support Brace
37.	47-035345-003		Plate
38.	47-037191-000		Support Bar
39.	11-052019-000		Flat Washer
40.	11-051704-001		Hex Nut
41.	47-036705-000		Tension Rod
42.	47-031248-004		Spring
43.	47-035231-000		Ball Accelerator Support
44.	47-035230-004		Shaft
45.	47-031454-000		Pivoting Level Comp
46.	47-035232-000		Wheel Assembly includes index nos. 46a, 46b, and 46c
	46a. 47-035233-004		Shaft Lower
	46b. 11-430016-000		Bearing
	46c. 47-035232-C01		Wheel
47.	11-051021-000		Hex Head Cap Screw (M10 x 35 mm)
48.	10-635127-000		Flat Belt
49.	47-036696-009		Belt Drive Assembly - contains index nos. 7, 8, 9, 10, 11, 12, 13, 14, 15, 16, 17, 19, 20, 21, 22, 23, 24, 25, 2+, 27, 28, and 39
50.	47-035234-004		Spacer

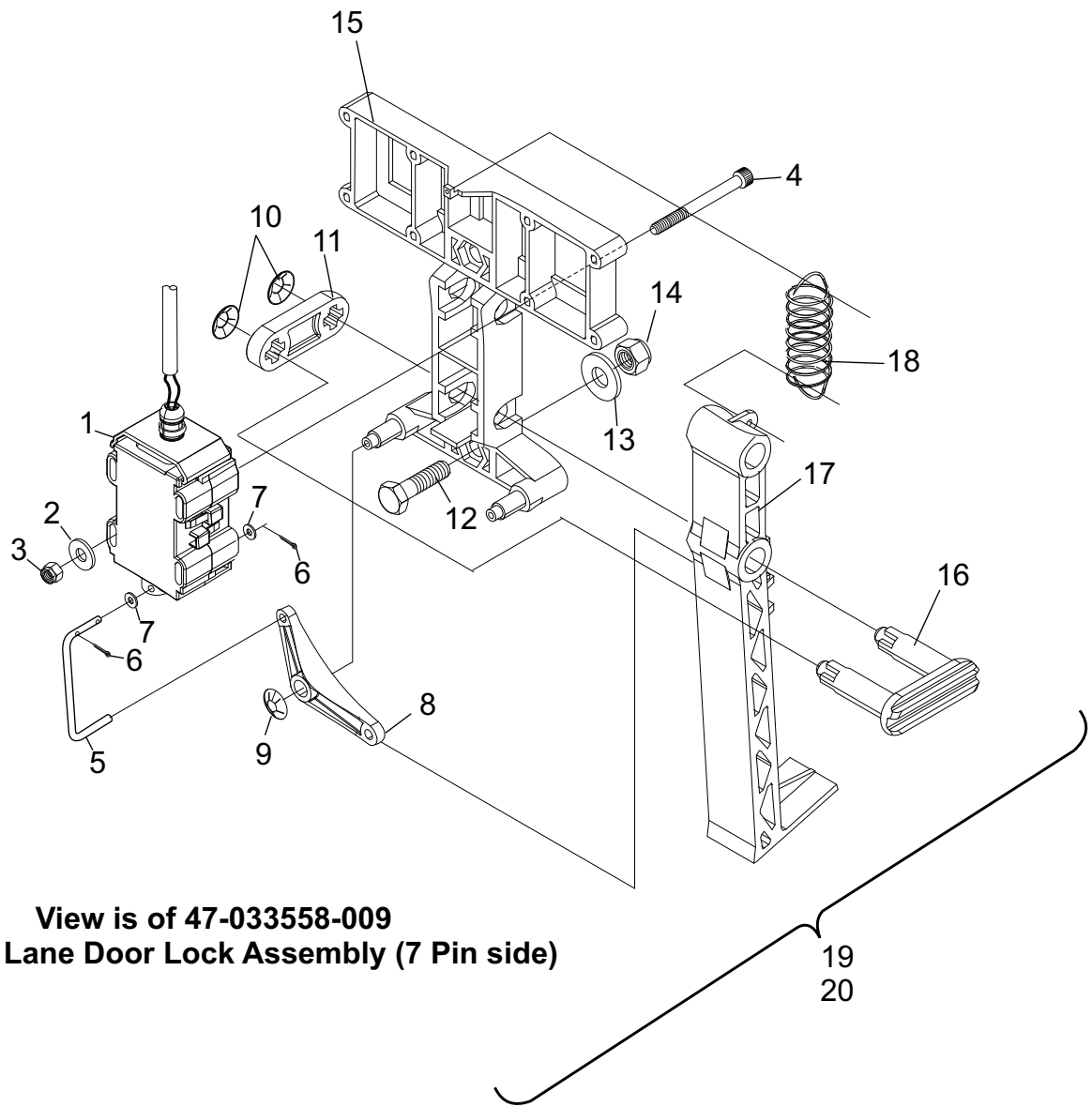
Ball Accelerator- Belt Drive (SUBWAY)



Ball Accelerator - Belt Drive (SUBWAY)

Index No.	Part No.	Package / Order Reference	Description
1.	99-070356-004		Solenoid Assembly
2.	11-052039-001		Flat Washer (5.3 mm)
3.	11-051742-001		Locknut (5 mm)
4.	11-051068-001		Hex Hd. Cap Screw (5 mm x 65 mm)
5.	47-031801-004		Connecting Link
6.	11-051791-001		Split (Cotter) Pin (1.6 mm x 10 mm)
7.	11-052025-001		Flat Washer (M4)
8.	47-031802-004		Lever
9.	11-053478-001		Speed Nut (8 mm)
10.	11-053480-001		Speed Nut (10 mm)
11.	47-031800-004		Pivot Link
12.	11-051021-001		Hex Hd. Cap Screw (10 mm x 35 mm)
13.	11-052028-001		Flat Washer (10.5 mm)
14.	11-051745-001		Locknut (10 mm)
15.	47-031796-002		Holder
16.	47-031798-004		Connecting Stud
17.	47-031797-002		Locking Bolt
18.	47-031799-004		Tension Spring
19.	47-033557-009		L.H. Door Lock Assembly
			Includes Index Numbers 1 through 18
20.	47-033558-009		R.H. Door Lock Assembly
			Includes Index Numbers 1 through 18

Ball Door/Lock Assembly (SUBWAY)

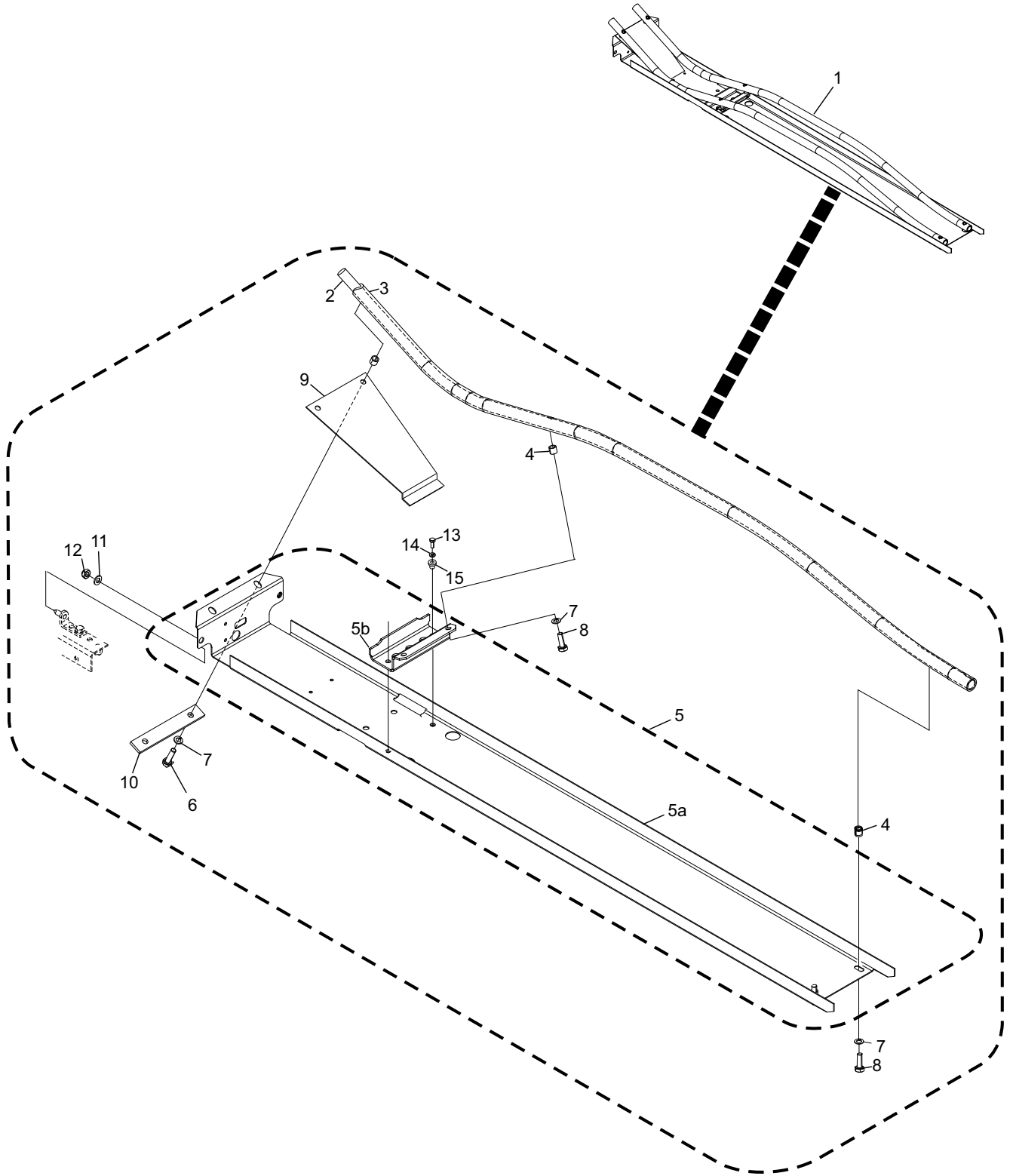


**View is of 47-033558-009
 RH/Even Lane Door Lock Assembly (7 Pin side)**

Ball Door/Lock Assembly (SUBWAY)

Index No.	Part No.	Package / Order Reference	Description
1.	47-037474-009		Ball Guide Assembly - complete
2.	47-031309-001		Guide Tube
3.	47-034730-004		Plastic Tube (cover)
4.	47-035214-004		Spacer
5.	47-035211-000		Ball Rod Support Assembly
	5a. 47-035212-001		Pan Rod Support
	5b. 47-035213-002		Middle Holder - Ball Rod Support
6.	11-051078-000		Hex Head Cap Screw (M10 x 40 mm)
7.	11-051771-000		Lock Washer
8.	11-015045-000		Hex Head Cap Screw (M10 x 30 mm)
9.	47-035351-000		Protection Plate
10.	47-035311-004		Stiffening Plate - Ball Rod Support
11.	11-051019-000		Hex Head Cap Screw (M10 x 25 mm)
12.	11-051745-000		Locknut
13.	11-051035-001		Hex Head Cap Screw (M6 x 16 mm)
14.	11-053602-001		Lock Washer
15.	47-035371-004		Spacer

Ball Accelerator Guide



Ball Accelerator Guide

Intentionally Blank Page

Section D

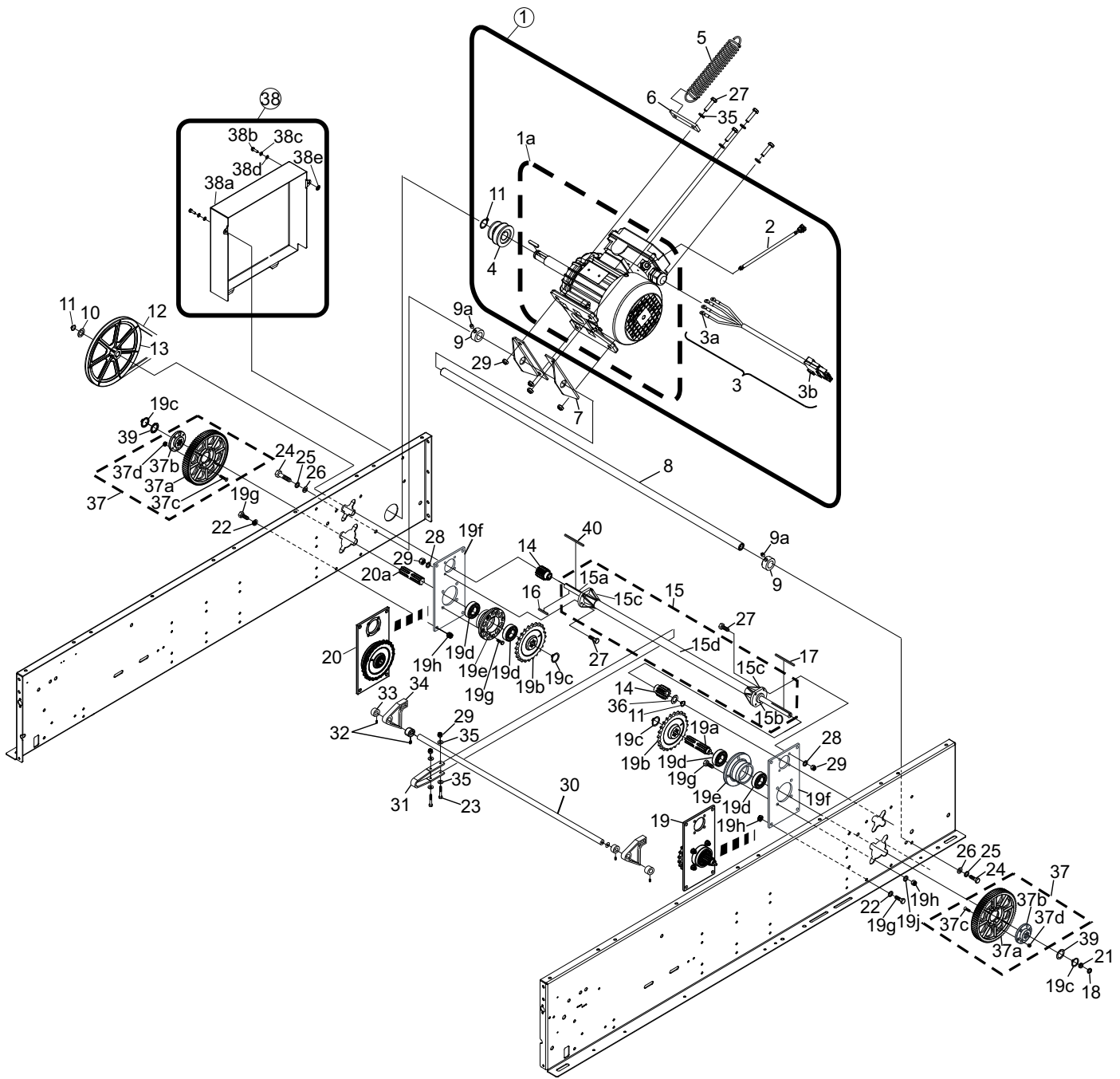
Pinsetter Main Frame

SECTION REVISION DATE

APRIL 2024

Index No.	Part No.	Package / Order Reference	Description
1.	55-079252-400		Motor - Complete with Pulley and Cables (400V)
	55-079252-230		Motor - Complete with Pulley and Cables (208V/230V)
1a.	55-079180-000		Motor (230V/400V) includes Key
2.	55-079251-400		Motor Over Load Cable Assembly
3.	55-143131-000		Assembly- Motor Cable
3a.	11-612010-000		Ring Terminal
3b.	11-696721-000		Housing
4.	55-010183-004		Motor Pulley
5.	99-020163-004		Spring
6.	55-019060-000		Spring Tension Bracket
7.	55-010184-004		Motor Mount Bracket
8.	55-050652-004		Shaft
9.	11-053616-000		Stop Ring
9a.	11-053104-000		Socket Set Screw
10.	11-054106-001		Shim Washer
11.	55-051852-000		Retaining Clip
12.	11-053916-000		Belt
13.	99-070162-002		Pulley
14.	55-020308-004		Spur Gear
15.	55-020316-009		Drive Shaft Assembly
15a.	55-020414-003		Drive Shaft
15b.	11-430029-000		Bearing
15c.	55-020392-004		Drive Shaft Bearing Retainer
15d.	55-020415-003		Drive Shaft Protective Tube
16.	11-053505-000		Key (5 x 5 x 30 mm)
17.	11-053504-000		Key (5 x 5 x 45 mm)
18.	11-053481-000		Speed Nut
19.	55-020320-009		Pinion Gear Support Assembly (Right Hand)
19a.	55-020401-004		Pinion Gear (Right Hand)
19b.	55-020405-003		Chain Wheel (Sprocket)
19c.	11-051856-001		Retaining Ring - External (25 mm, 23.2 mm ID, 34.2 OD)
19d.	11-430051-000		Bearing
19e.	55-020393-003		Bearing Retainer
19f.	55-020395-003		Bearing Bracket
19g.	11-051015-001		Hex Hd. Cap Screw (M8 x 25 mm)
19h.	11-051744-001		Locknut (M8)
19j.	11-051770-001		Lock Washer (M8 x 14.8 mm x 2 mm)
20.	55-020321-009		Pinion Gear Support Assembly (Left Hand)
20a.	55-020400-002		Pinion Gear (Left Hand)
21.	55-020485-004		Gear - Switch Cluster (16 tooth)
22.	11-052003-001		Flat Washer
23.	11-051023-001		Hex Hd. Cap Screw (M6 x 55 mm)
24.	11-051005-001		Hex Hd. Cap Screw (M10 x 20 mm)
25.	11-051771-001		Lock Washer (M10)
26.	11-052018-001		Flat Washer (M10)
27.	11-051028-001		Hex Hd. Cap Screw (M6 x 25 mm)
28.	11-051769-001		Lock Washer (M6)
29.	11-051743-001		Locknut (M6)
30.	55-060237-004		Cross Shaft
31.	55-018020-000		Clamp
32.	11-053101-001		Set Screw (M6 x 8 mm)
33.	11-053619-001		Stop Ring (Collar)
34.	55-068032-009		Locking Cam (Stop Dog)
35.	11-052008-001		Flat Washer (M6)
36.	11-054107-001		Shim Washer
37.	55-020402-009		Drive Gear Assembly
37a.	55-020402-003		Drive Gear
37b.	55-020402-004		Hub
37c.	11-052936-001		Screw - Socket Flat Head Countersunk
37d.	11-051743-001		Hex Nut (M6)
38.	55-019179-009		Drive Cover Assembly
38a.	55-019179-000		Drive Cover
38b.	11-051018-001		Hex Head Cap Screw (M6 x20 mm)
38c.	11-051769-001		Lock Washer (M6)
38d.	11-052008-001		Flat Washer (M6)
38e.	11-053426-000		Pushnut (M6)
39.	11-054109-000		Shim Washer
40.	11-053513-000		Key (5 x 5 x 70 mm)

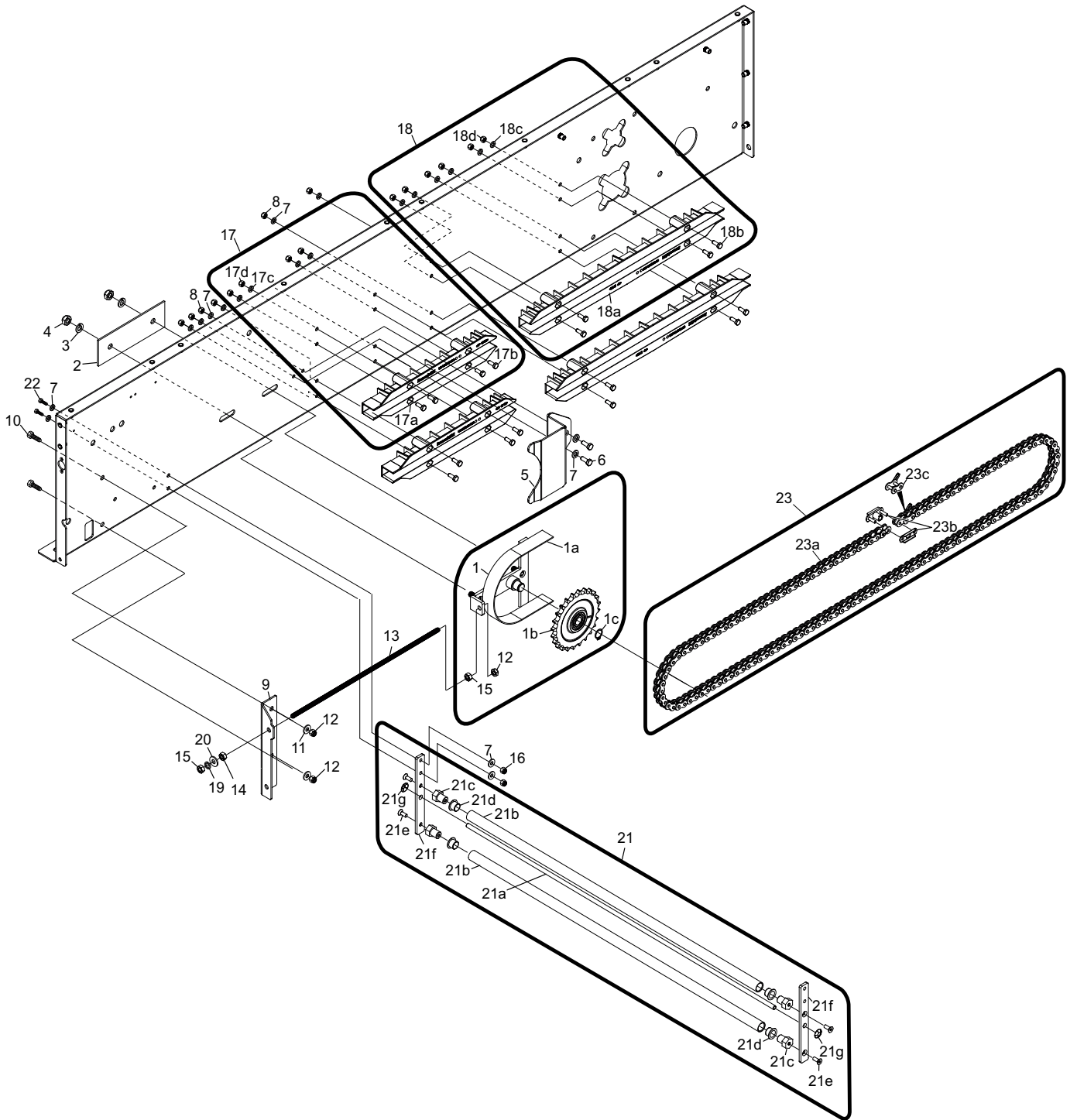
Frame - Drive Assembly



Frame - Drive Assembly

Index No.	Part No.	Package / Order Reference	Description
1.	55-069335-009		Drive Chain Guard Assembly
	1a. 55-069336-000		Drive Chain Guard
	1b. 55-060208-003		Sprocket
	1c. 11-051852-000		Retaining Ring - External (17 mm)
2.	55-060207-003		Tension Bracket
3.	11-051771-001		Lockwasher (M10)
4.	11-051745-001		Hex Lock Nut (M10)
5.	55-068011-000		Drive Chain Guard (Cover)
6.	11-051035-001		Hex Hd. Cap Screw (M6 x 16 mm)
7.	11-052008-001		Flat Washer (6.4 mm x 12 mm x 1.6mm)
8.	11-051743-001		Hex Lock Nut (M6)
9.	55-019145-00		PMI Bracket R.H.
10.	11-051010-001		Hex Head Cap Screw (M8 x 20 mm)
11.	11-052003-001		Flat Washer (8.4 mm x 16 mm x 1.6 mm)
12.	11-051744-001		Hex Lock Nut (M8)
13.	55-069128-000		Threaded Rod (M8 x 400 mm)
14.	11-051704-001		Hex Nut (M10)
15.	11-051704-001		Hex Nut (M8)
16.	11-051743-001		Hex Lock Nut (M6)
17.	55-068149-009		Short Chain Guide w/Mounting Hardware
	17a.55-068149-000		Short Chain Guide
	17b.11-051035-001		Hex Head Cap Screw (M6 x 16 mm)
	17c.11-052008-001		Flat Washer
	17d.11-051743-001		Hex Lock Nut (M6)
18.	55-068148-009		Long Chain Guide w/Mounting Hardware
	18a. 55-068148-000		Long Chain Guide
	18b.11-051035-001		Hex Head Cap Screw (M6 x 16 mm)
	18c.11-052008-001		Flat Washer
	18d.11-051743-001		Hex Lock Nut (M6)
19.	11-051770-001		Lock Washer
20.	11-052006-001		Flat Washer
21.	55-019375-009		Assembly - Guide Bracket
	21a. 55-018136-002		Rod - For Guide Bracket
	21b. 55-018135-002		Guide Rod
	21c. 55-018016-000		Shoulder Stud
	21d. 47-034842-004		Plastic Bushing
	21e.11-052936-001		Flat Sink Head Socket Screw (M6 x 16 mm)
	21f. 55-019376-000		Base Plate - Guide for Bracket
	21g.11-053478-001	47-861050-000	Speed Nut (Quicklock M8), Pkg Qty - 10
22.	11-051018-001		Hex Head. Cap Screw (M6 x 20 mm)
23.	55-060240-009		Chain Assembly w/Special Link
	23a. 55-060714-004		Chain Assembly
	23b. 55-060212-003		Special Chain Link
	23c. 11-600500-000		Master Link Spring Lock Type

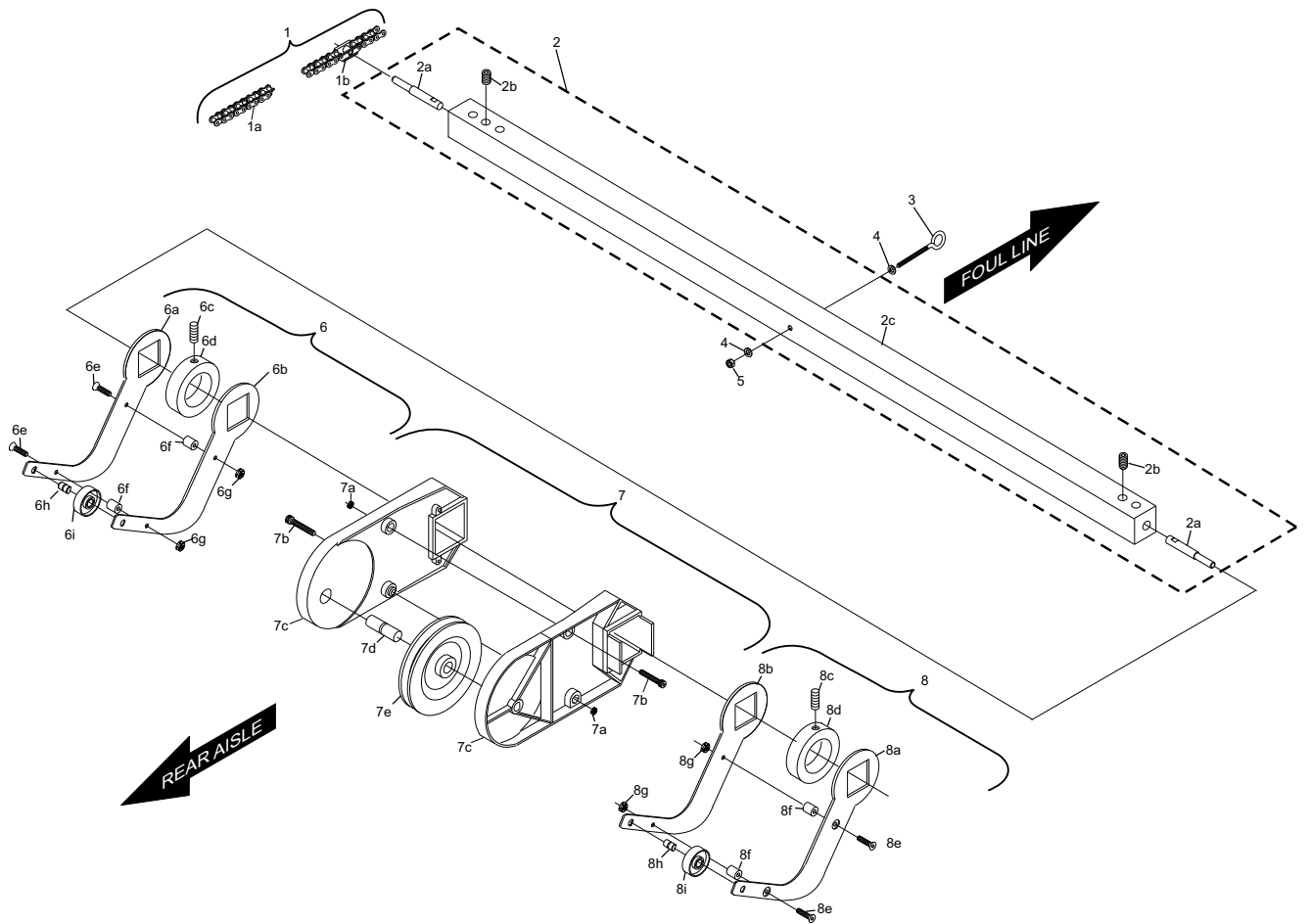
Chain Drive Assembly



Chain Drive Assembly

Index No.	Part No.	Package / Order Reference	Description
1.	55-060240-009		Chain Assembly Complete - includes index Nos 1a, and 1b.
	1a. 55-060714-004		Roller Chain
	1b. 55-060212-003		Special Link
2.	55-030201-009		Pull Shaft Assembly - includes index Nos 2a, 2b, and 2c.
	2a. 55-030193-004		Pin
	2b. 11-053101-001		Socket Set Screw (M6 x 8 mm)
	2c. 55-030235-003		Pull Shaft
3.	10-050010-001		Eye Bolt (M6 x 40 mm)
4.	11-052037-001		Flat Washer (M10)
5.	11-051743-001		Hex Locknut (M6)
6.	55-030205-009		Lever Assembly (Left Hand) - includes index Nos 6a, 6b, 6c, 6d, 6e, 6f, 6g, 6h, and 6i.
	6a. 55-030709-003		Lever (Left Hand)
	6b. 55-030197-003		Common Lever
	6c. 11-053105-001		Socket Set Screw (M6 x 16 mm)
	6d. 55-030195-004		Stop Collar
	6e. 11-052934-001		Socket Screw - Countersunk Flat Head
	6f. 47-051633-004		Spacer Bushing
	6g. 11-051743-001		Hex Locknut (M6)
	6h. 55-030199-004		Roller Axel
	6i. 55-030200-009		Roller
7.	55-030202-009		Return Lever Housing Assembly - includes index Nos. 7a, 7b, 7c, 7d, and 7e.
	7a. 11-051742-001		Hex Locknut (M5)
	7b. 11-051542-001		Socket Head Cap Screw (M5 x 25 mm)
	7c. 55-030196-003		Return Lever Housing
	7d. 55-030404-004		String Pulley Axel
	7e. 55-030408-009		String Idler Pulley
8.	55-030204-009		Lever Assembly (Right Hand) - includes index Nos. 8a, 8b, 8c, 8d, 8e, 8f, 8g, 8h, and 8i.
	8a. 55-030708-003		Lever (Right Hand)
	8b. 55-030197-003		Common Lever
	8c. 11-053105-001		Socket Set Screw (M6 x 16 mm)
	8d. 55-030195-004		Stop Collar
	8e. 11-052934-001		Socket Screw - Countersunk Flat Head
	8f. 47-051633-004		Spacer Bushing
	8g. 11-051743-001		Hex Locknut (M6)
	8h. 55-030199-004		Roller Axel
	8i. 55-030200-009		Roller

String Wagon Assembly

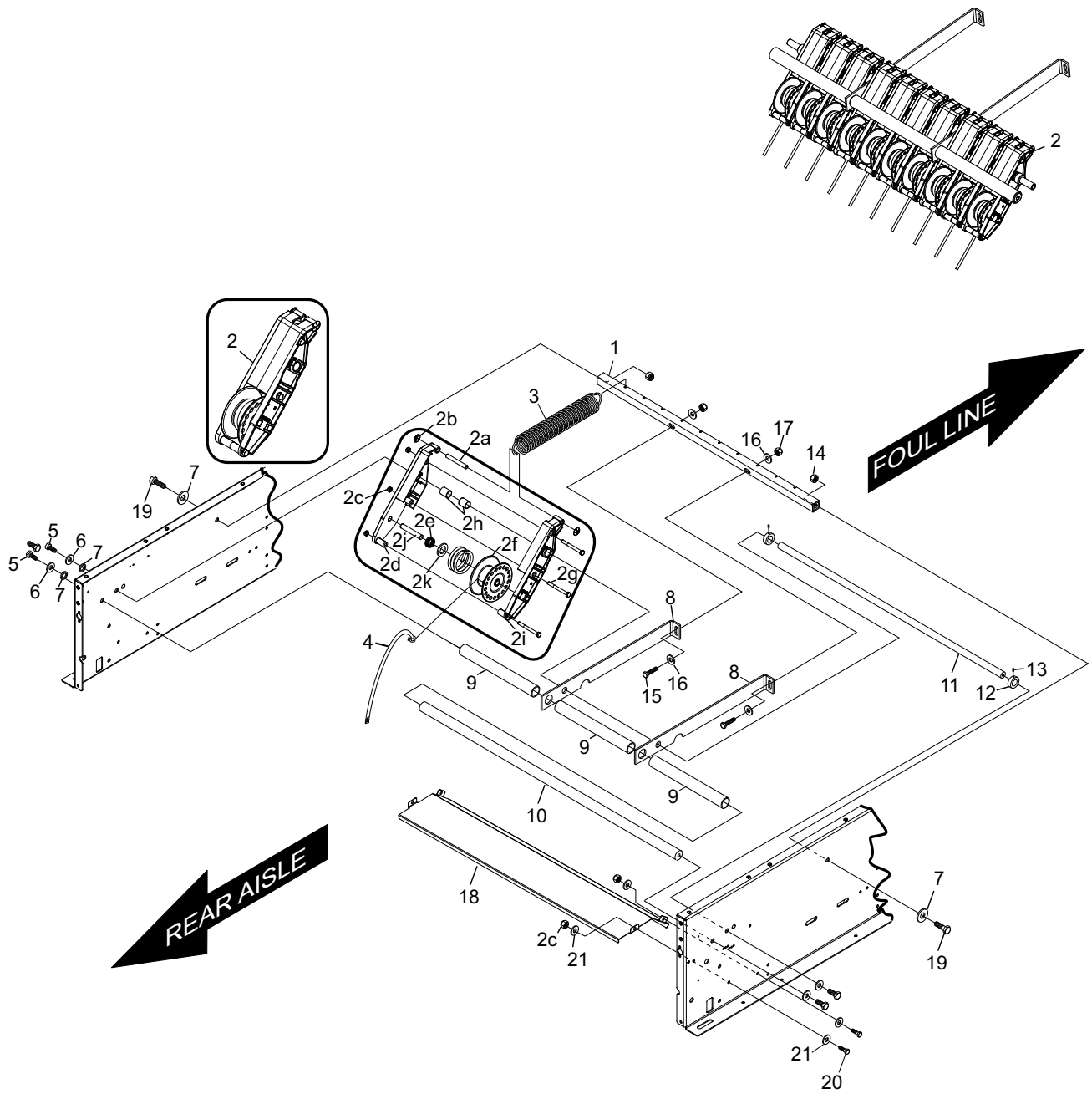


String Wagon Assembly

Index No.	Part No.	Package / Order Reference	Description
1.	55-059149-000		"L" Profile for Spring Support
2.	55-059355-009		String Lever Reel Assembly - includes index Nos. 2a, 2b, 2c, 2d, 2e, 2f, 2g, 2h, 2j, and 2k.
2a.	55-050639-004		Spring Hook
2b.	11-053478-001	47-861050-000	Speed Nut (Quicklock M8), Pkg Qty - 10
2c.	11-051743-001		Hex Lock Nut (M6)
2d.	55-050621-003		Reel Support Bracket (left-hand)
2e.	55-050634-004		Spring For Lever Reel
2f.	55-050633-003		Reel
2g.	11-051083-001		Screw (M6 x 60 mm)
2h.	55-078026-000		Bearing
2i.	55-050622-003		Reel Support Bracket (right-hand)
2j.	55-050637-004		Reel Shaft
2k.	11-052027-001		Flat Washer (17 mm x 30 mm x 3 mm)
3.	55-050712-004		Tension Spring
4.	75-110012-001	*75-110012-009	String (5 m) - black
5.	11-051005-001		Hex Head Cap Screw (M10 x 20 mm)
6.	11-051771-001		Lockwasher (M10 x 18 mm x 2.2 mm)
7.	11-052018-001		Flat Washer (M10 x 20 mm x 2 mm)
8.	55-050607-003		Support Arm
9.	55-050994-004		Rod Support Cover
10.	55-050375-004		Reel Support Rod
11.	55-058047-000		String Lever Shaft
12.	11-053616-001		Stop Collar
13.	11-053104-000	47-861023-001	Set Screw (M6 x 6 mm), Pkg Qty - 20)
14.	11-051745-001		Hex Lock Nut (M10)
15.	11-051015-001		Hex Head Cap Screw (M8 x 25 mm)
16.	11-052003-001		Flat Washer (M8 x 16 mm x 1.6 mm)
17.	11-051744-001		Hex Lock Nut (M8)
18.	55-019156-000		Pan
19.	11-051019-001		Hex Head Cap Screw (M10 x 25 mm)
20.	11-051035-001		Hex Head cap Screw (M6 x 16 mm)
21.	11-052008-001		Flat Washer
22.	55-059150-009		String Lever Assembly

** 50 Meter Roll of String*

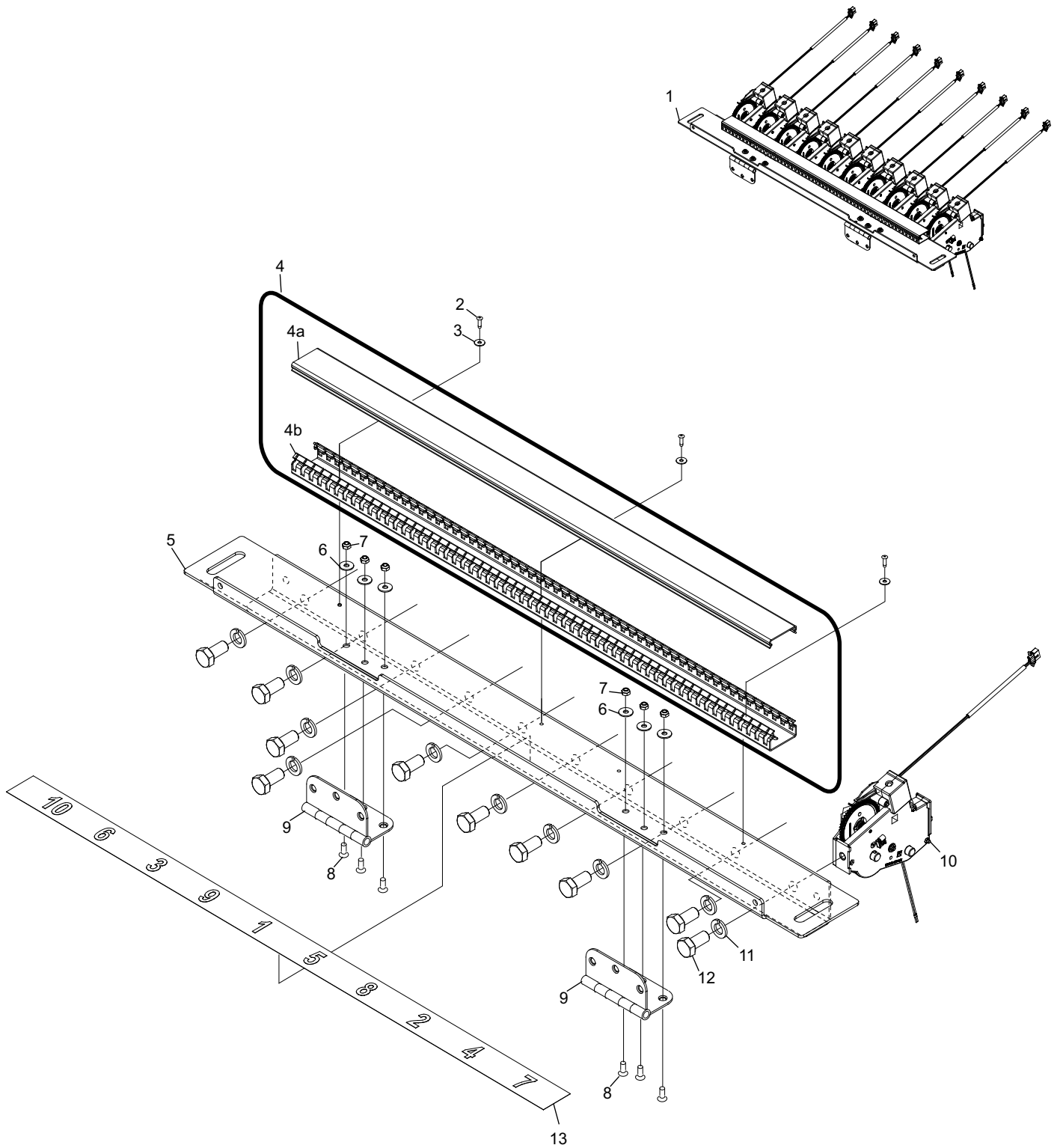
String Lever Assembly



String Lever Assembly

Index No.	Part No.	Package / Order Reference	Description
1.	55-019142-009		Assembly - PMI Unit
2.	11-054601-000		Rivet
3.	11-052062-000		Flat Washer
4.	55-019141-009		Cable Channel
	4a.55-149130-200		Channel Top
	4b.55-149130-100		Channel
5.	55-019143-000		Rear Cross Support
6.	11-052039-000		Flat Washer
7.	11-051742-001		Hex Locknut
8.	11-052947-000		Flat Head Screw
9.	11-077000-001		Hinge
10.	55-040426-009		Pin Motion Interface Assembly

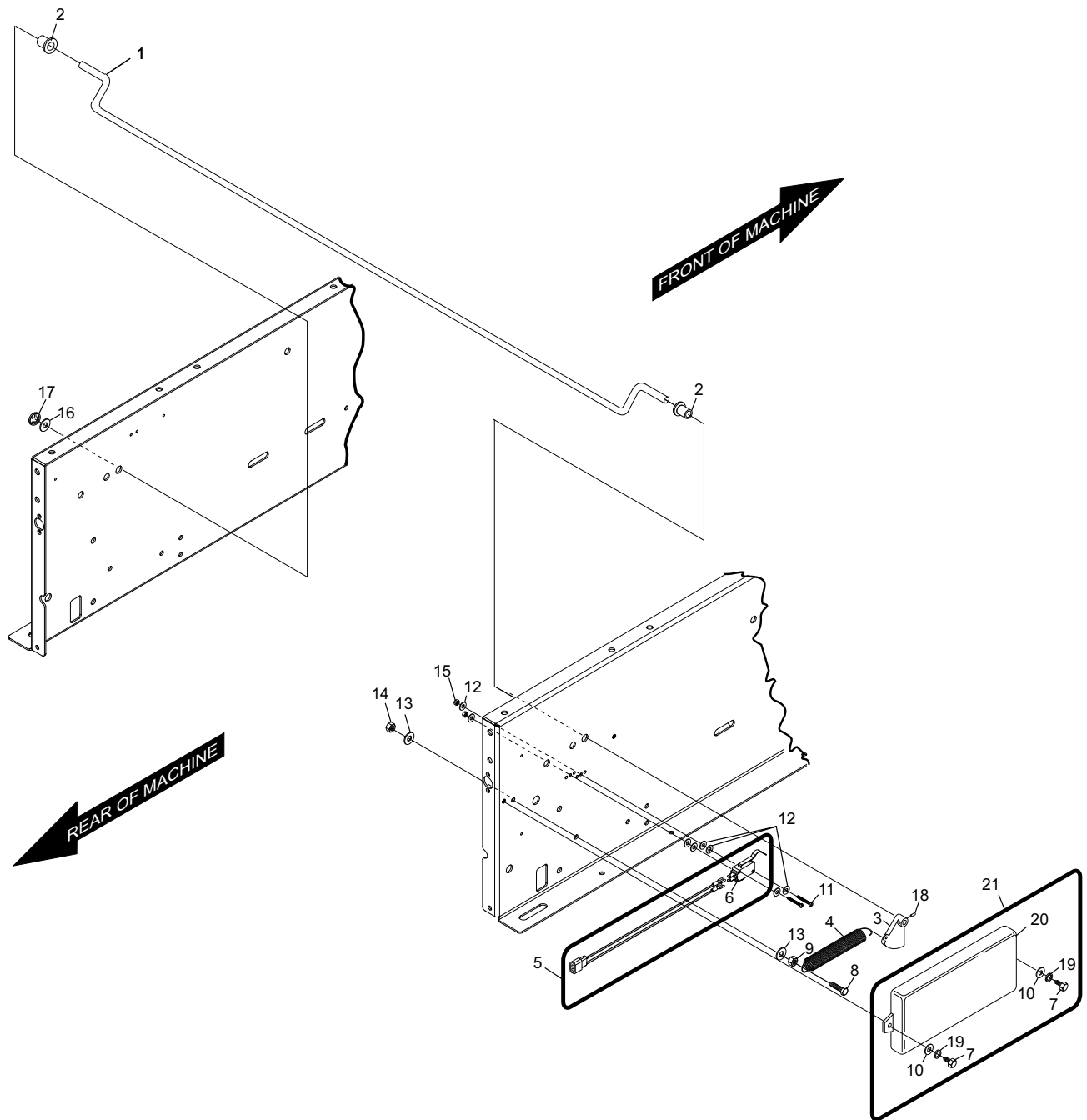
Pin Motion Interface (PMI)



Pin Motion Interface (PMI)

Index No.	Part No.	Package / Order Reference	Description
1.	55-050638-004		Pivot Rod
2.	47-075435-004		Nylon Bushing
3.	55-050613-004		Clutch Jam Cam
4.	55-050636-004		Clutch Spring
5.	55-143049-000		Jam Switch w/Cable Assembly
6.	99-050325-004		Jam Switch
7.	11-051069-001		Screw Hex Cap (M5 x 12 mm)
8.	11-051028-000		Hex Hd. Cap Screw (M6 x 25 mm)
9.	11-051702-001		Hex Nut (M6)
10.	11-052020-001		Flat Washer (5.3 mm x 12 mm x 1 mm)
11.	11-052214-001		Machine Screw (M3 x 20 mm)
12.	11-052058-000		Flat Washer (3.2 mm x 9 mm x .8 mm)
13.	11-052008-001		Flat Washer (6.4 mm x 12 mm x 1.6 mm)
14.	11-051743-001		Self Locking Hex Nut (M6)
15.	11-051746-001		Self Locking Hex Nut (M3)
16.	11-052003-001		Flat Washer (8.4 mm x 16 mm x 1.6 mm)
17.	11-053478-001	47-861050-000	Speed Nut (Quick Lock #17), Pkg. Qty. - 10
18.	11-052681-001		Spring Pin (3 mm x 16 mm)
19.	11-051768-001		Lock Washer
20.	55-069151-000		Clutch Cover (Black)
21.	55-059151-009		Clutch Cover Assembly (Black)

Pin Tangle Mechanism



Pin Tangle Mechanism

Intentionally Blank Page

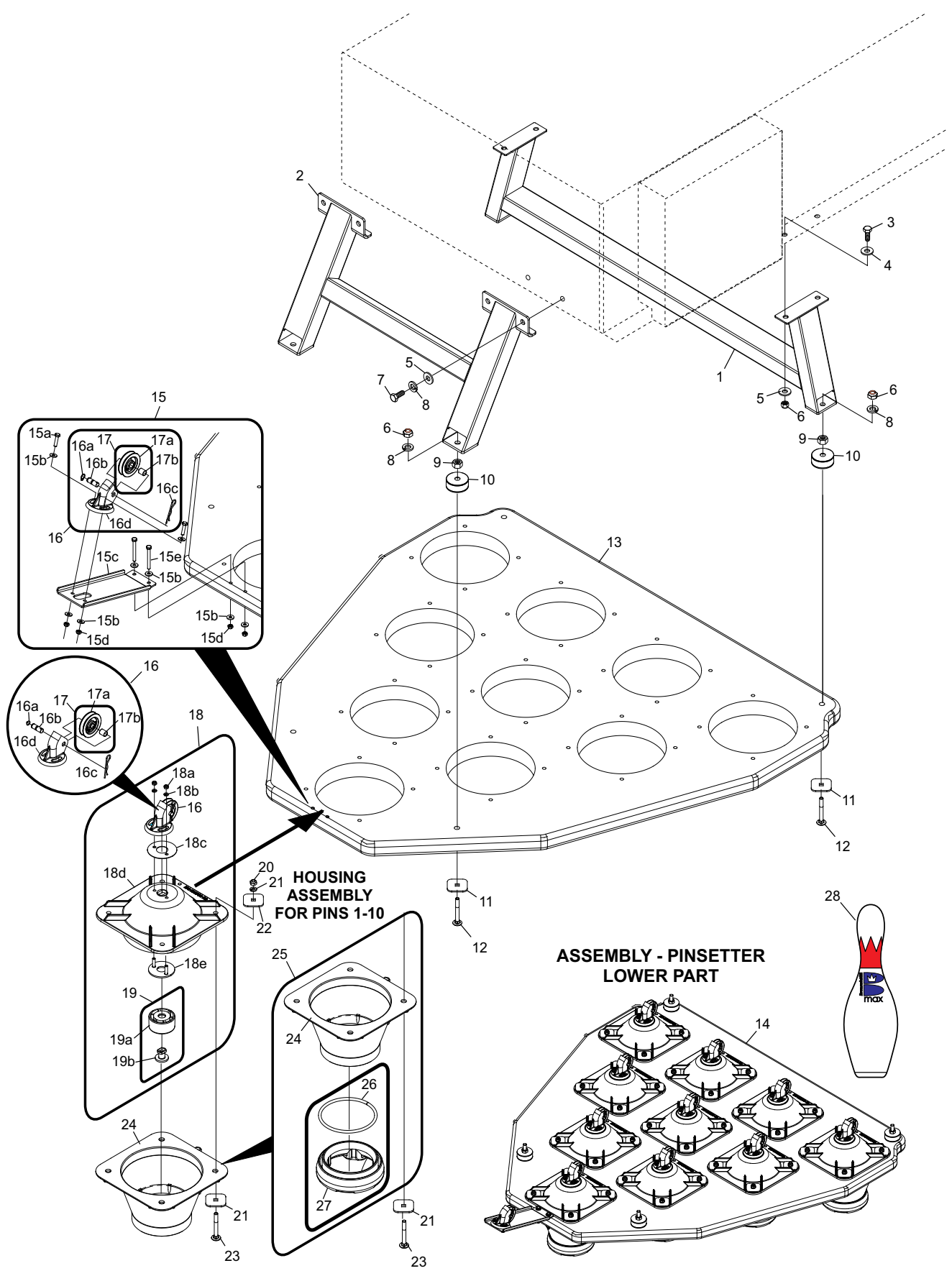
Section E

Pin Setting Platform

SECTION REVISION DATE
APRIL 2024

Index No.	Part No.	Package / Order Reference	Description
1.	55-089161-000		Rear Support Frame
2.	55-089162-000		Front Support Frame
3.	11-051015-000		Hex Head Cap Screw
4.	11-052028-001		Flat Washer (M10)
5.	11-052018-000		Flat Washer
6.	11-051745-001		Locknut (M10)
7.	11-051019-001		Screw Hex. Cap. (M10 x 25 mm)
8.	11-051771-001		Lock Washer
9.	11-051703-000		Hex Nut (M10)
10.	55-080383-004		Rubber Bumper
11.	55-082608-000		Square Washer
12.	11-052616-000		Carriage Bolt (M6 x 80 mm)
13.	55-089163-000		Setting Platform
14.	55-279119-009		Assembly - Pinsetter Lower Part
15.	55-279253-009		Front Pulley Assembly
	15a. 11-051028-000		Hex Head Cap Screw
	15b. 11-052048-000		Flat Washer
	15c. 55-279206-000		String Pulley Holder
	15d. 11-051743-001		Locknut
	15e. 11-051023-000		Hex Head Cap Screw (M6 x 55 mm)
16.	11-089400-009		Pulley Assembly
	16a. 11-151855-000		External Retaining Ring
	16b. 55-082031-004		Shaft
	16c. 11-054300-000		Cotter Pin
	16d. 55-089400-000		String Pulley Housing
17.	55-030408-009		Pulley
	17a. 55-030408-004		Pulley - only
	17b. 55-078141-000		Bearing
18.	55-082085-009		Upper Centering Guide Housing Assembly (All Pins)
	18a. 11-051743-001		Locknut
	18b. 11-052048-000		Flat Washer
	18c. 55-082281-004		Pin Head Nut Plate
	18d. 55-082081-001		Upper Centering Guide Housing
	18e. 55-082280-004		Pin Head Mounting Plate
19.	55-088034-009		Pin Head Stop Assembly
	19a. 55-082606-004		Pin Head Stop
	19b. 55-082609-004		Pin Head Support
20.	11-051744-000		Locknut
21.	11-051770-000		Lock Washer
22.	55-082608-004		Square Washer
23.	11-052616-000		Carriage Bolt (M6 x 80 mm)
24.	55-082134-001		Lower Centering Guide
25.	55-088033-009		Lower Centering Guide Assembly
26.	55-082136-004		Centering Guide Ring
27.	55-082135-003		Centering Guide
28.	63-861169-000		Max Crown GID, Single Pin - Drilled
	63-861169-167		Max Crown GID, Set - Drilled
	63-861170-000		Max Red Crown GID, Single Pin - Drilled
	63-861170-167		Max Red Crown GID, Set - Drilled

Boost Setting Platform Assembly - Ten Pin



Boost Setting Platform Assembly - Ten Pin

Intentionally Blank Page

Section F

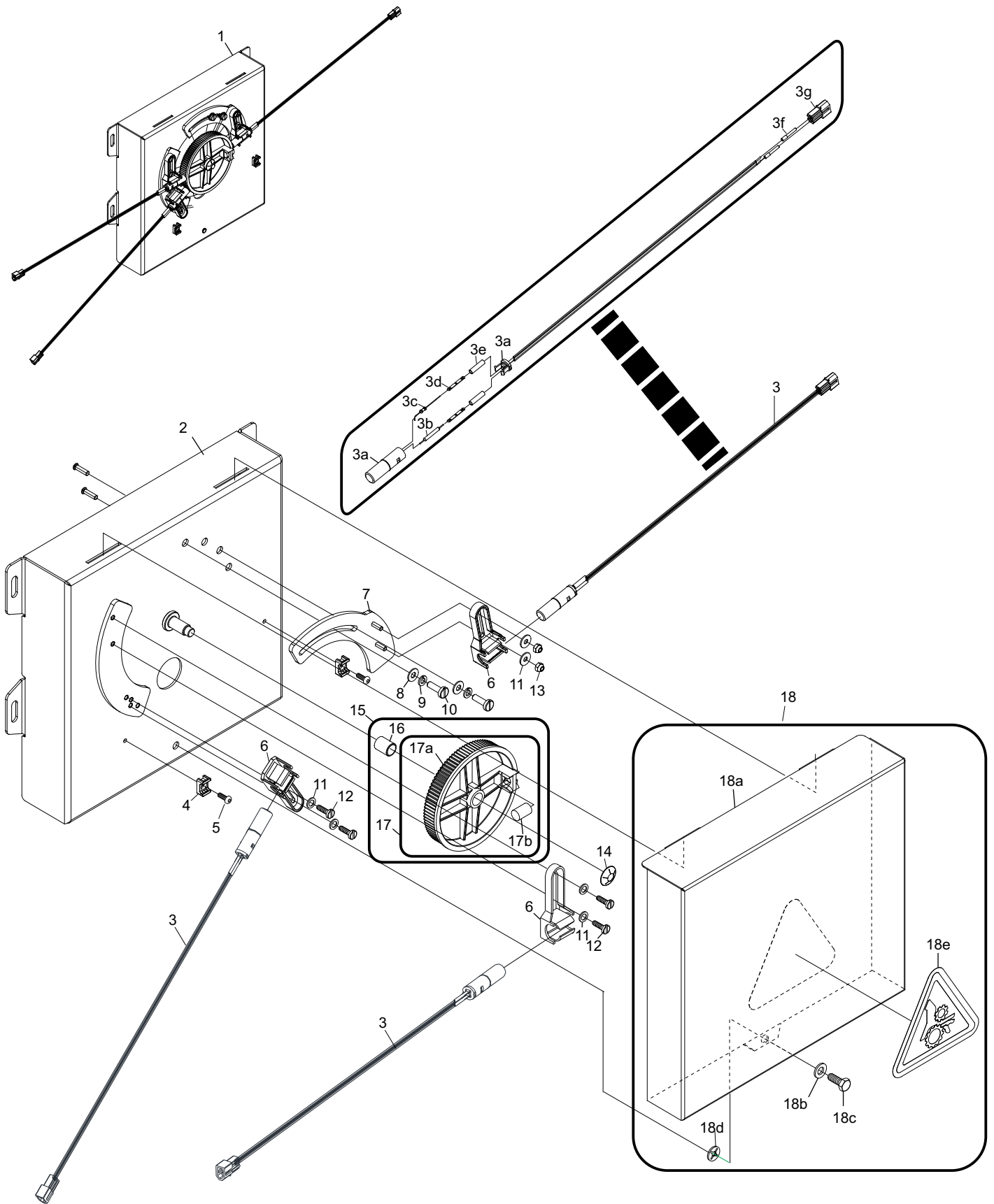
Electronics

SECTION REVISION DATE

APRIL 2024

Index No.	Part No.	Package / Order Reference	Description
1.	55-079345-009		Cluster Housing Assembly
2.	55-079345-000		Cluster Housing
3.	55-143047-000		Assembly Cluster Reed Switch
3a.	99-050125-003		Housing
3b.	47-074221-004		Reed Switch
3c.	11-691121-000		Resistor
3d.	99-050183-004		Reed
3e.	47-227160-000		Heat Shrink Tubing
3f.	11-680302-000		Pin
3g.	11-680116-000		Housing
4.	99-226387-000		Cable Tie Holder
5.	11-054601-000		Pop Rivet
6.	99-050187-004		Switch Holder
7.	55-078255-000		Switch Support For Cluster
8.	11-052020--000		Flat Washer
9.	11-051768-000		Lock Washer
10.	11-052369-000		Pan Head Screw
11.	11-052021-000		Flat Washer
12.	11-052354-000		Pan Head Screw
13.	11-051741-000		Locknut
14.	11-053478-000		Speed Nut
15.	55-078216-009		Gear Assembly - includes index Nos. 16,17,17a, and 17b,
16.	55-078024-000		Bearing
17.	55-071111-009		Cluster Gear w/Magnet
17a.	55-070484-003		Gear
17b.	55-040711-004		Magnet
18.	55-079346-009		Cluster Cover Assembly
18a.	55-079346-000		Cluster Cover
18b.	11-052020-000		Flat Washer
18c.	11-051069-000		Hex Head Cap Screw
18d.	11-690553-000		Retainer
18e.	99-268200-003		Decal

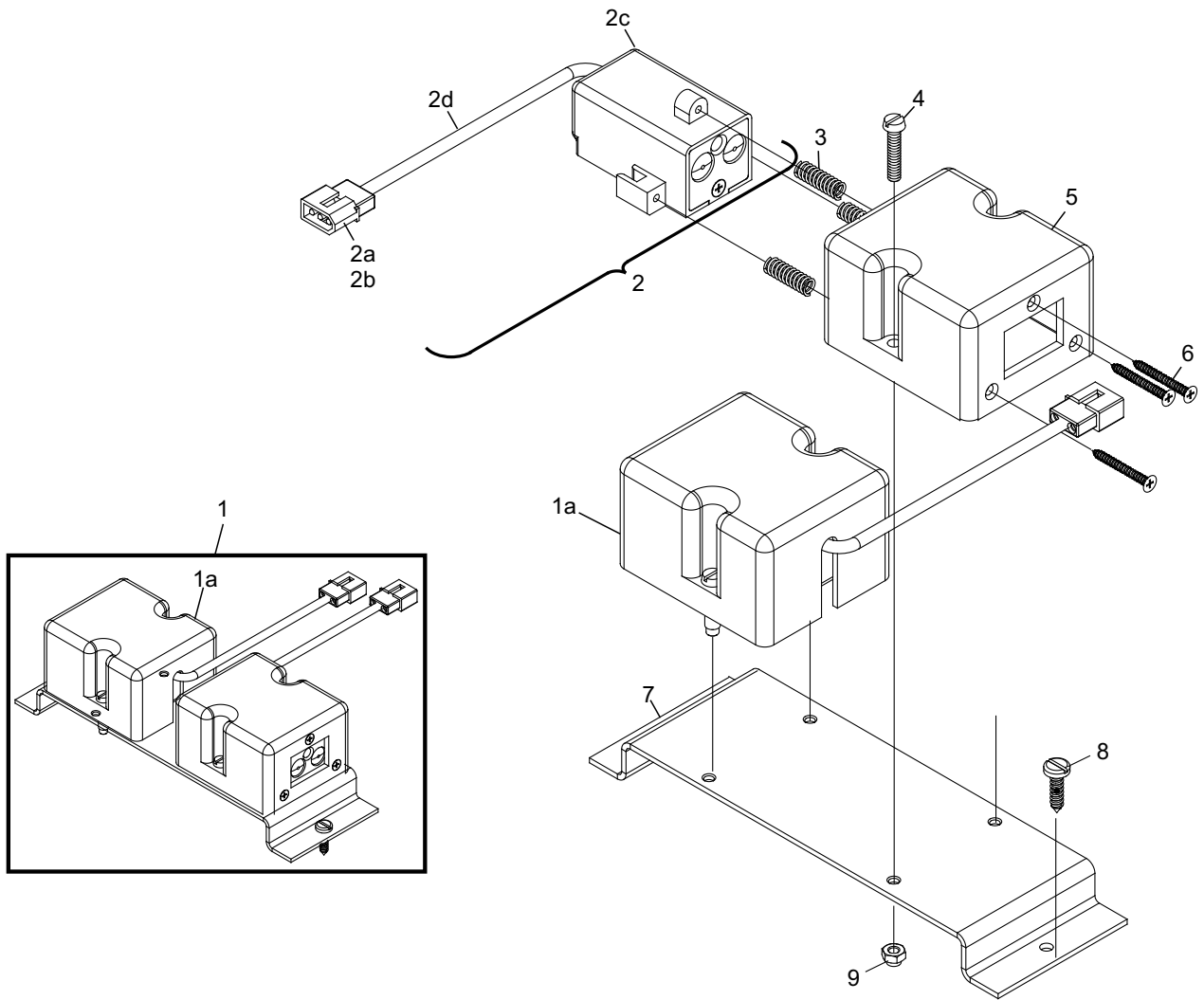
Switch Cluster



Switch Cluster

Index No.	Part No.	Package / Order Reference	Description
1.	99-087141-000		Ball Detect Assembly Complete
	1a. 99-087140-000		Ball Detect Only - Single Unit
2.	99-087139-000		Ball Detect Complete
	2a. 11-680101-000		Connector Plug (Molex)
	2b. 11-680302-000		Pin (Molex)
	2c. 99-080193-004		Ball Detector Box
	2d. 99-080269-004		Cable - Ball Detector
3.	99-080180-004		Compression Spring
4.	11-052211-001		Slotted Head Machine Screw
5.	99-080186-003		Ball Detect Housing
6.	11-086307-001		Flat Head Tapping Screw
7.	99-080213-003		Support Bracket
8.	11-053203-001		Tapping Screw
9.	11-051741-001		Metric Hex Locknut

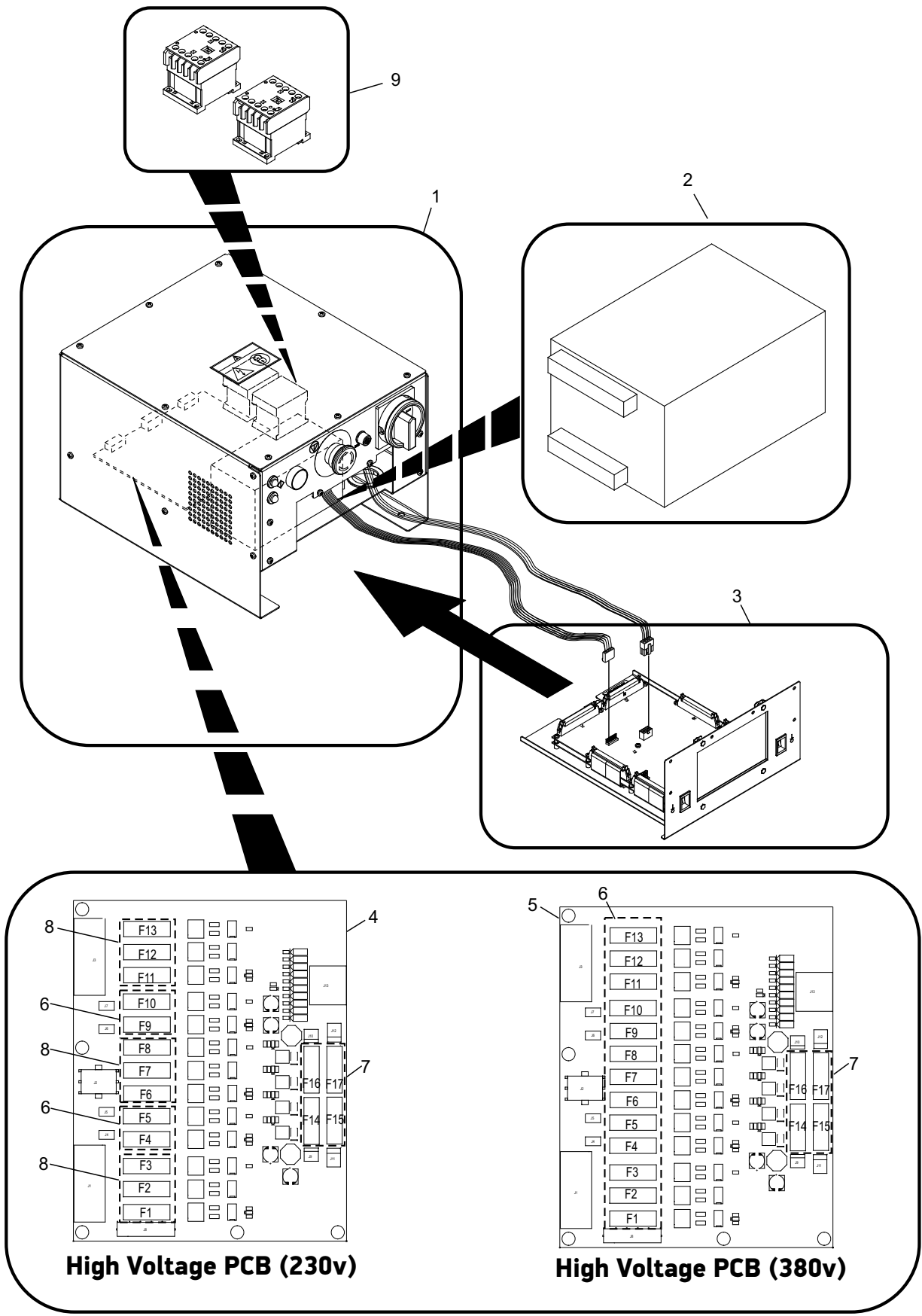
Ball Detect



Ball Detect

Index No.	Part No.	Package / Order Reference	Description
1.	55-143118-230	55-860075-230	Pkg. Boost 360 Controller Assembly - UL 208V/230V
	55-143118-400	55-860075-400	Pkg. Boost 360 Controller Assembly - UL 400V
2.	11-696982-000	55-860060-000	Power Supply (24V)
3.	53-143120-400	55-860076-400	Controller Slide Out
4.	55-143008-230	55-860059-230	High Voltage PCB (230V)
5.	55-143008-380	55-860059-380	High Voltage PCB (380V)
6.	11-685062-000	57-861635-000	Fuse, 2.0A, 250V Slow Blow, Pkg of 4
7.	11-685061-000		Fuse, 1.0A, 250V Slow Blow, Pkg of 4
8.	11-685067-000	57-861874-000	Fuse, 3.0A, 250V Slow Blow, Pkg of 4
9.	11-671007-000		Contactors

Boost 360 Controller



Boost 360 Controller

Intentionally Blank Page

Section G

Cabling

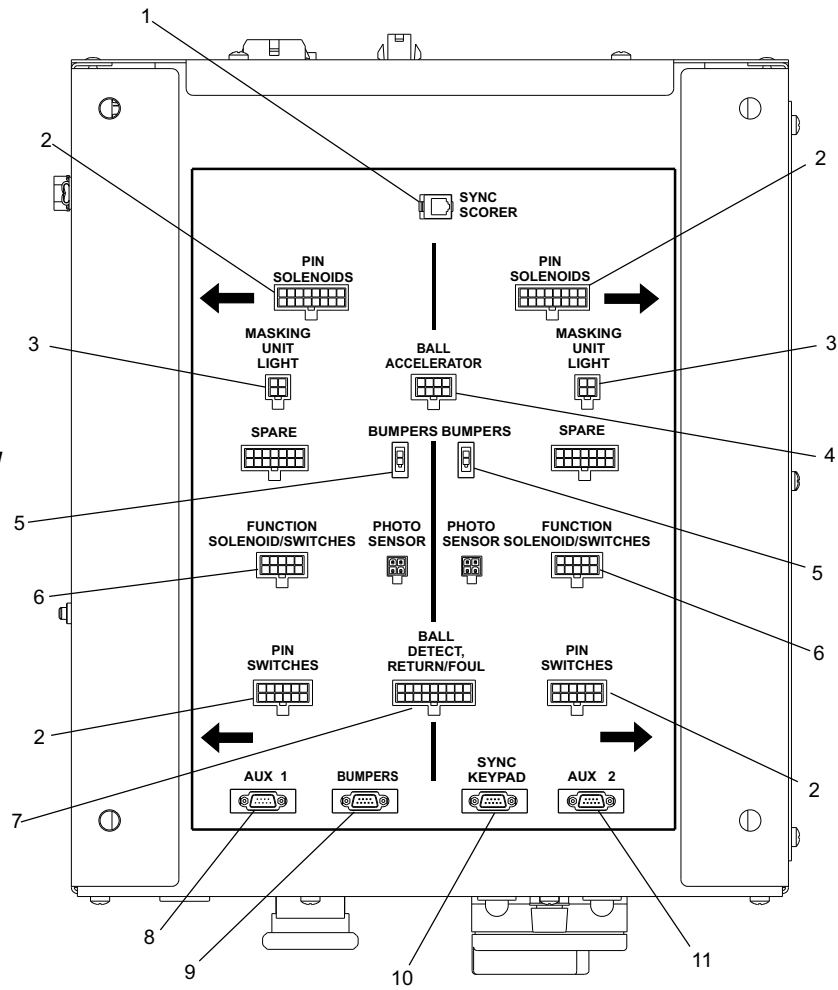
SECTION REVISION DATE

APRIL 2024

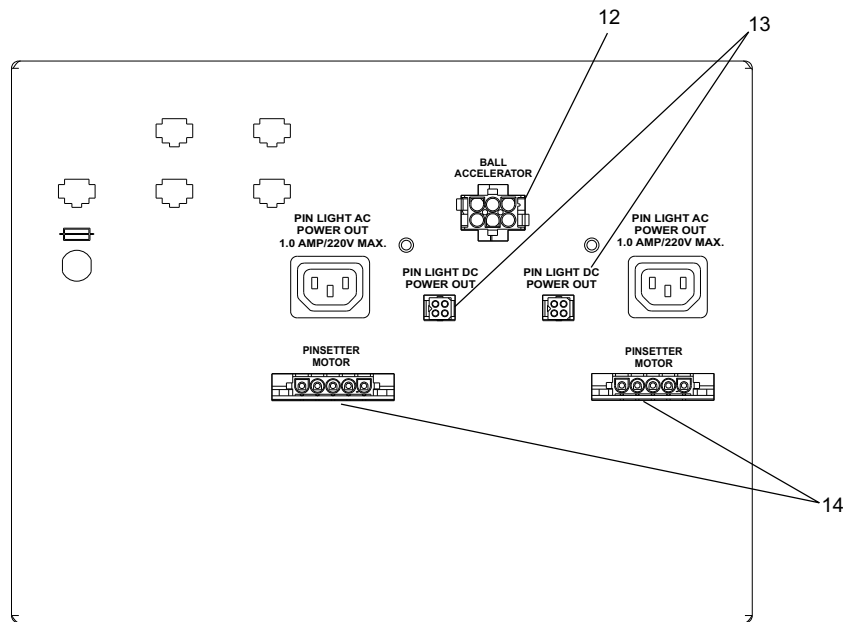
Index No.	Part No.	Package / Order Reference	Description
1.	57-863583-050		Ethernet Cable, Bulk - 500' (152.4 M)
	57-863500-000		Ethernet Connectors for Bulk Cable (Qty 3)
2.	55-143157-000		PMI Cable Harness Assembly - Boost
3.	55-143015-000		1st/2nd Ball LED Lights Masking Unit Cable Assembly
4.	55-143181-000		Ball Door Control Cable - Boost ST, Single/ Lane Pair
	55-143182-000		Ball Door Control Cable - Boost ST, Separated Pair
5.	55-143148-000		AMF Bumper Cable Assembly
6.	55-143158-000		Switch Cluster Cable Assembly, Boost
	55-143158-200		Switch Cluster Cable Assembly, Boost - Extension
7.	55-143161-000		Brunswick Foul / Ball Detect / Ball Lift Cable Assembly
	55-143172-000		AMF Foul / Ball Detect / Ball Lift Cable Assembly
8.	57-501385-000		Peripheral Controller to 360 Controller Cable - 25 FT.
	57-501385-033		Peripheral Controller to 360 Controller Cable - 33 FT.
	57-501385-045		Peripheral Controller to 360 Controller Cable - 45 FT.
9.	57-501384-000		360 Controller to PBW Bumper Controller Assembly
10.	57-500399-000		Sync Keypad Cable Assembly
11.	53-520516-000		IntelliFoul / Intellishield Cable Assembly
12.	55-143173-000		Ball Accelerator Motor Cable Assembly
13.	55-143069-000		Pin Light DC Power Cable Assembly
	57-501549-000		Nitro 2-Color Pinlight Cable Assembly
	57-501654-000		Nitro Multi-Color Pinlight Cable Assembly
14.	55-143164-000		Pinsetter Motor Power Cable Assembly - Boost

Boost 360 Controller Cabling

BOTTOM VIEW



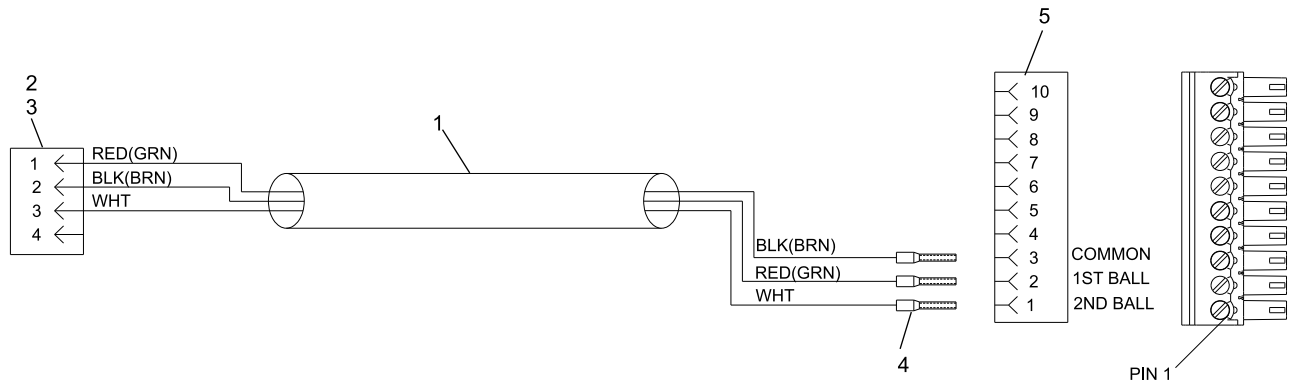
BACK VIEW



Boost 360 Controller Cabling

Index No.	Part No.	Package / Order Reference	Description
1.	55-143015-000		1st/2nd Ball LED Lights Masking Unit Cable Assembly
2.	11-692091-000		Terminal (Mini-Fit Jr. - Female)
3.	11-692304-000		Connector Housing (4 Position Mini-Fit Jr.)
4.	11-680831-000		Ferrule
5.	11-697996-000		Connector Housing (10 Position)

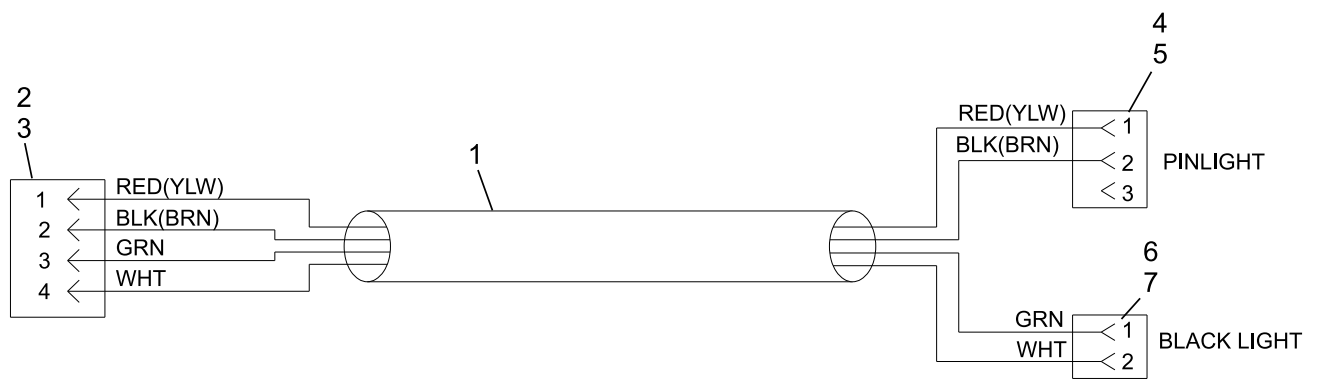
**1st and 2nd Ball LED lights Cable Assembly
55-143015-000**



**1st and 2nd Ball LED lights Cable Assembly
55-143015-000**

Index No.	Part No.	Package / Order Reference	Description
1.	55-143069-000		String Pinsetter DC Pinlight Cable Assembly
2.	11-680019-000		Connector Housing (2 Position Plug .062)
3.	11-680302-000	57-860032-000	Terminal (.062 Male), Pkg Qty - 10
4.	11-697237-000		Connector Housing (3 Position .100kk)
5.	11-680326-000		Terminal (.100kk)
6.	11-697204-000		Connector Housing (2 Position.156kk)
7.	11-680322-000		Terminal (.156kk)

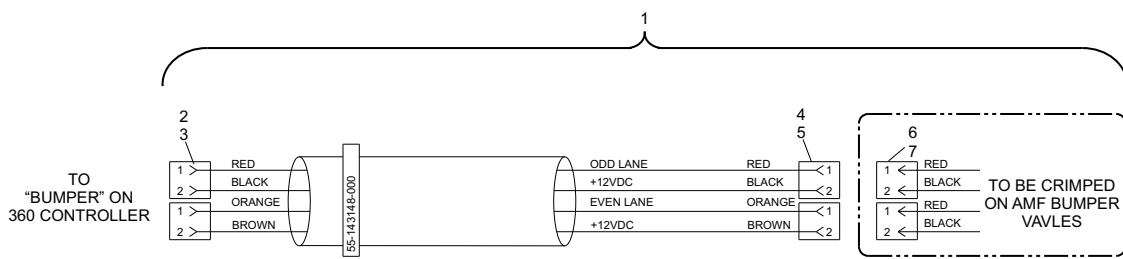
**Pinlight DC Power Cable Assembly
55-143069-000**



**Pinlight DC Power Cable Assembly
55-143069-000**

Index No.	Part No.	Package / Order Reference	Description
1.	55-143148-000		AMF Bumper Cable
2.	11-692302-000		Connector (2 Position Receptacle Mini-Fit Jr.)
3.	11-692091-000		Terminal (Mini-Fit Jr. - Socket)
4.	11-680301-000		Terminal (.062 Female)
5.	11-680216-000		Connector (2 Position Receptacle .062)
6.	11-680302-000		Terminal (.062 Male)
7.	11-680116-000		Connector (2 Position Plug .062)

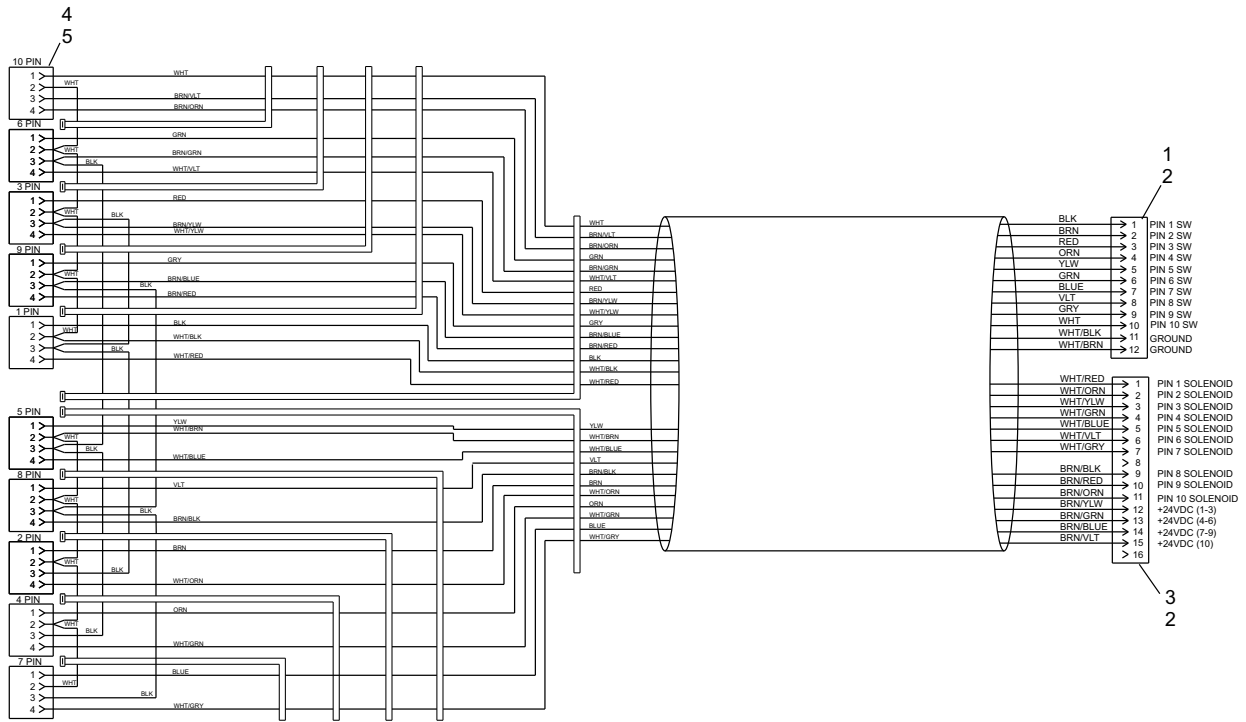
**AMF Bumper Cable Assembly
55-143148-000**



**AMF Bumper Cable Assembly
55-143148-000**

Index No.	Part No.	Package / Order Reference	Description
1.	11-692212-000		Connector Housing (12 Position Mini-Fit Jr.)
2.	11-692090-000		Terminal (Mini-Fit Jr. - Male)
3.	11-692005-000		Connector Housing (16 Position Mini-Fit Jr.)
4.	11-680301-000		Terminal (.062 Female)
5.	11-680205-000		Connector Housing (4 Position .062)

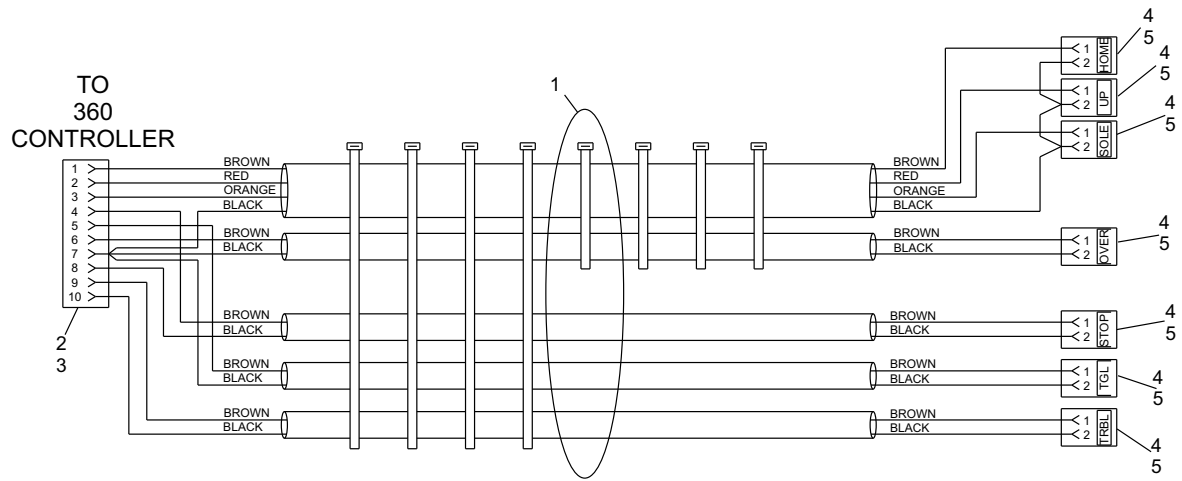
**Boost PMI Cable Assembly
55-143157-000**



Boost PMI Cable Assembly
55-143157-000

Index No.	Part No.	Package / Order Reference	Description
1.	55-143158-000		Boost Switch Cluster Cable Assembly
2.	11-692309-000		Connector Housing (10 Position Mini-Fit Jr.)
3.	11-692091-000		Terminal, 18-24 AWG (Mini-Fit Jr. - Female)
	11-692092-000		Terminal, 16 AWG (Mini-Fit Jr. - Female)
4.	11-680216-000		Connector Housing (2 Position .062)
5.	11-680301-000		Terminal, 18-24 AWG (.062 Female)

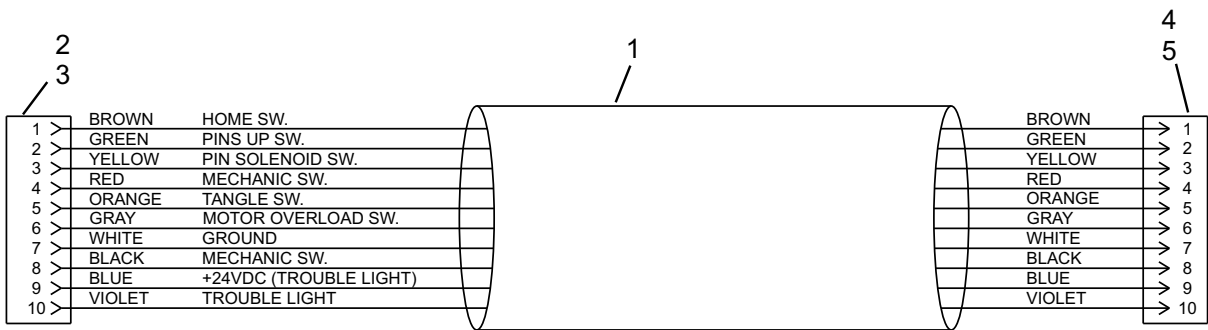
**Switch Cluster Cable Assembly
55-143158-000**



**Switch Cluster Cable Assembly
55-143158-000**

Index No.	Part No.	Package / Order Reference	Description
1.	55-143158-200		String Pinsetter Switch Cluster EXT Cable Assembly
2.	11-692309-000		Connector Housing (10 Position Mini-Fit Jr. Receptacle)
3.	11-692091-000		Terminal (Mini-Fit Jr. - Female)
4.	11-692210-000		Connector Housing (10 Position Mini-Fit Jr. Plug)
5.	11-692090-000		Terminal (Mini-Fit Jr. - Male)

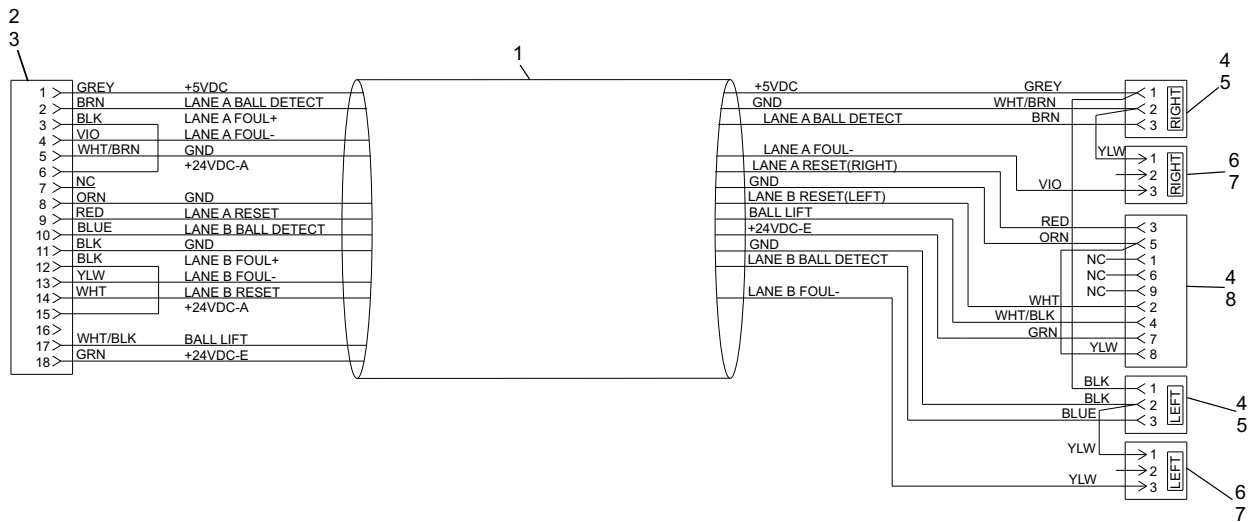
**Boost Pinsetter Switch Cluster Extension Cable Assembly
55-143158-200**



**Boost Pinsetter Switch Cluster Extension Cable Assembly
55-143158-200**

Index No.	Part No.	Package / Order Reference	Description
1.	55-143161-000		Brunswick Foul Unit/ Ball Detect/ Ball Lift Cable
2.	11-692091-000		Terminal (Mini-Fit Jr. - Female)
3.	11-692318-000		Connector Housing (18 Position Mini-Fit Jr.)
4.	11-680301-000		Terminal (.062 Female)
5.	11-680201-000		Connector Housing (3 Position .062 Receptacle)
6.	11-680302-000		Terminal - (.062 Male)
7.	11-680101-000		Connector Housing (3 Position .062 Plug)
8.	11-680204-000		Connector Housing (9 Position .062 Receptacle)

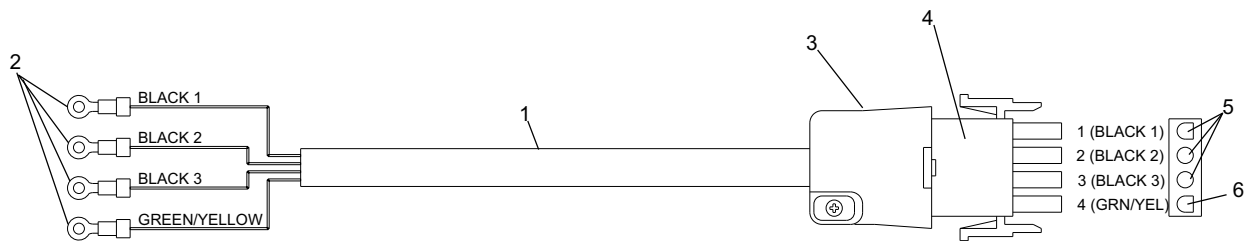
**Brunswick Foul/Ball Lift/ Ball Detect Cable Assembly
55-143161-000**



**Brunswick Foul/Ball Lift/ Ball Detect Cable Assembly
55-143161-000**

Index No.	Part No.	Package / Order Reference	Description
1.	55-143164-000		Boost Pinsetter Motor Cable Assembly
2.	11-612010-000		Terminal - #8 Stud
3.	11-696721-000		Cover Strain Relief - 4 Position
4.	11-696703-000		Plug - 4 Position, Mate-N-Lok
5.	11-696736-000		Terminal - Pin, Mate-N-Lok
6.	11-696735-000		Terminal - Pin, Mate-N-Lok, GND

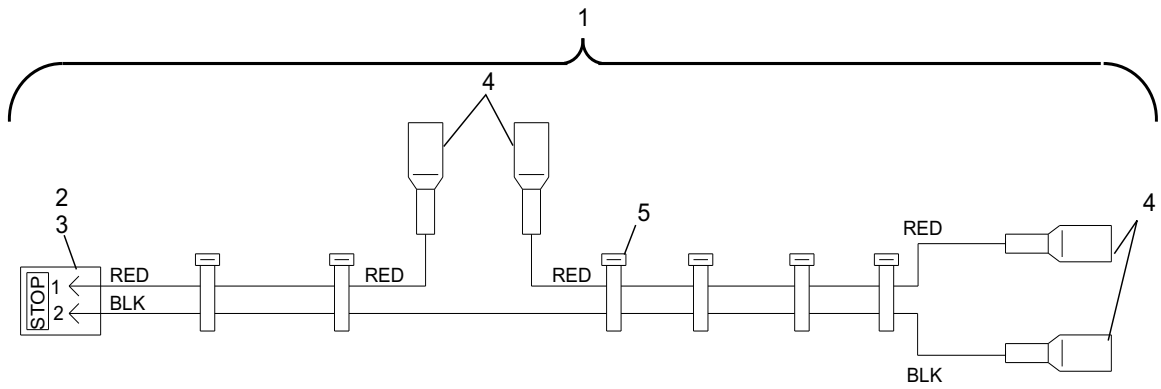
**Pinsetter Motor Cable Assembly
55-143164-000**



Pinsetter Motor Cable Assembly
55-143164-000

Index No.	Part No.	Package / Order Reference	Description
1.	55-143017-000		String Pinsetter Mechanic's Stop Switch Cable Assembly
2.	11-680116-000		Connector Housing (2 Position .062 Plug)
3.	11-680302-000		Terminal - (.062 Male)
4.	11-612152-000		Terminal - Faston
5.	11-603115-000		Wire Tie - 4"

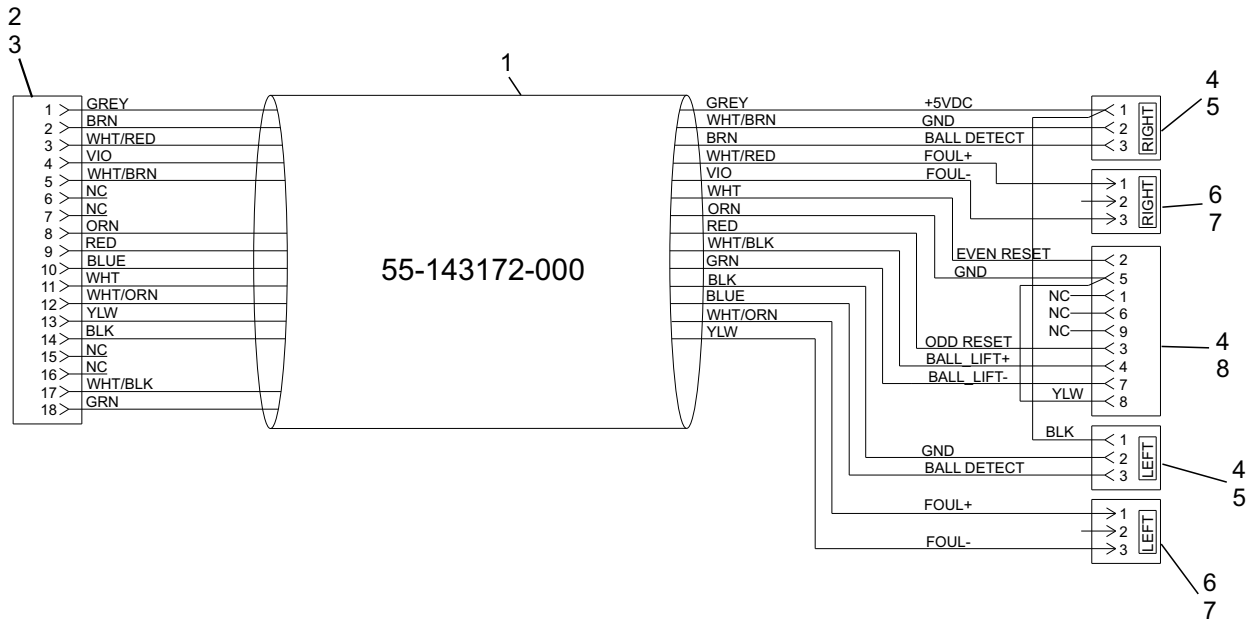
**Boost Pinsetter Mechanic's Stop Switch Cable Assembly
55-143165-000**



**Boost Pinsetter Mechanic's Stop Switch Cable Assembly
55-143165-000**

Index No.	Part No.	Package / Order Reference	Description
1.	55-143172-000		Brunswick Foul Unit/ Ball Detect/ Ball Lift Cable
2.	11-692091-000		Terminal (Mini-Fit Jr. - Female)
3.	11-692318-000		Connector Housing (18 Position Mini-Fit Jr.)
4.	11-680301-000		Terminal (.062 Female)
5.	11-680201-000		Connector Housing (3 Position .062 Receptacle)
6.	11-680302-000		Terminal - (.062 Male)
7.	11-680101-000		Connector Housing (3 Position .062 Plug)
8.	11-680204-000		Connector Housing (9 Position .062 Receptacle)

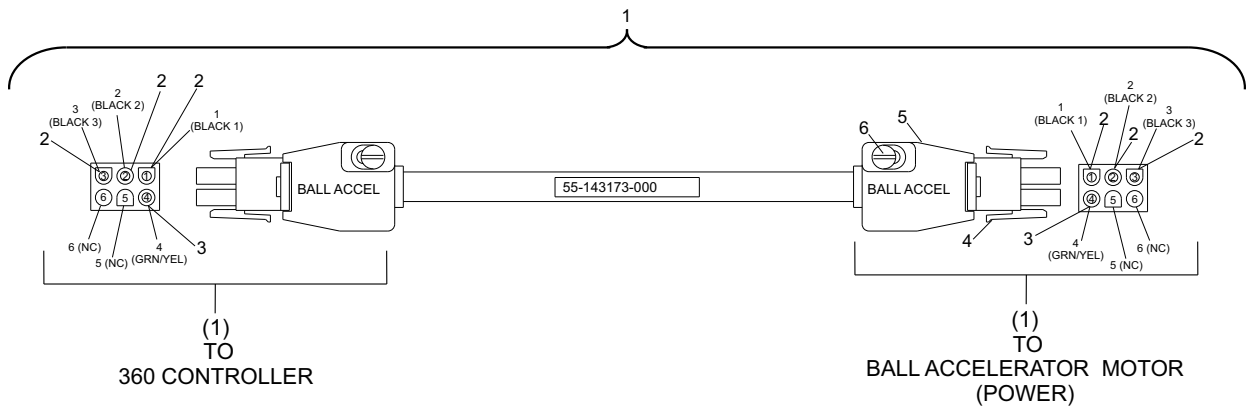
**AMF Foul/Ball Lift/ Ball Detect Cable Assembly
55-143172-000**



**AMF Foul/Ball Lift/ Ball Detect Cable Assembly
55-143172-000**

Index No.	Part No.	Package / Order Reference	Description
1.	55-143173-000		Ball Accelerator Cable
2.	11-696736-000		Terminal - Pin, Mate-N-Lok
3.	11-696735-000		Terminal - Pin, Mate-N-Lok, GND
4.	11-696704-000		Plug - 6 Position, Mate-N-Lok
5.	99-240423-004		Connector Cover- 6 Position Mate-N-Lok
6.	11-053208-001		Screw - M3.5 x 16mm

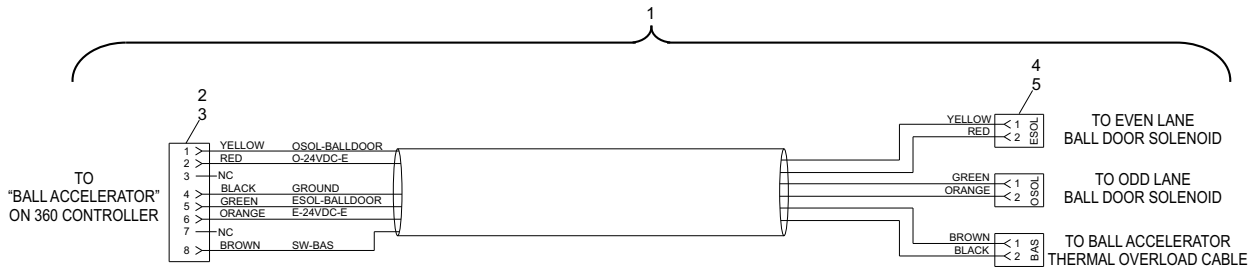
**Ball Accelerator Motor Cable Assembly
55-143173-000**



**Ball Accelerator Motor Cable Assembly
55-143173-000**

Index No.	Part No.	Package / Order Reference	Description
1.	55-143181-000		Ball Door Control Cable - Boost ST Single/Lane Pair
2.	11-692308-000		Connector Receptacle (8 Position Mini-Fit Jr.)
3.	11-692091-000		Terminal (Mini-Fit Jr. - Female)
4.	11-680216-000		Connector Housing (2 Position .062 Receptacle)
5.	11-680301-000		Terminal (.062 Female)

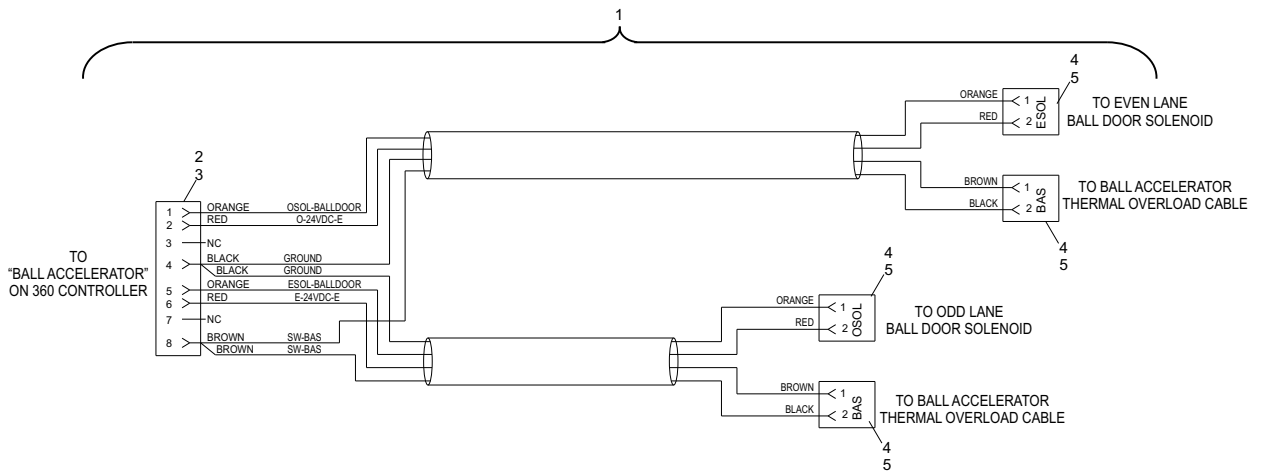
**Ball Door Control Cable - Boost ST, Single/Lane Pair Cable Assembly
55-143181-000**



**Ball Door Control Cable - Boost ST, Single/Lane Pair Cable Assembly
55-143181-000**

Index No.	Part No.	Package / Order Reference	Description
1.	55-143182-000		Ball Door Control Cable - Boost ST Separated Lane Pair
2.	11-692308-000		Connector Receptacle (8 Position Mini-Fit Jr.)
3.	11-692091-000		Terminal (Mini-Fit Jr. - Female)
4.	11-680216-000		Connector Housing (2 Position .062 Receptacle)
5.	11-680301-000		Terminal (.062 Female)

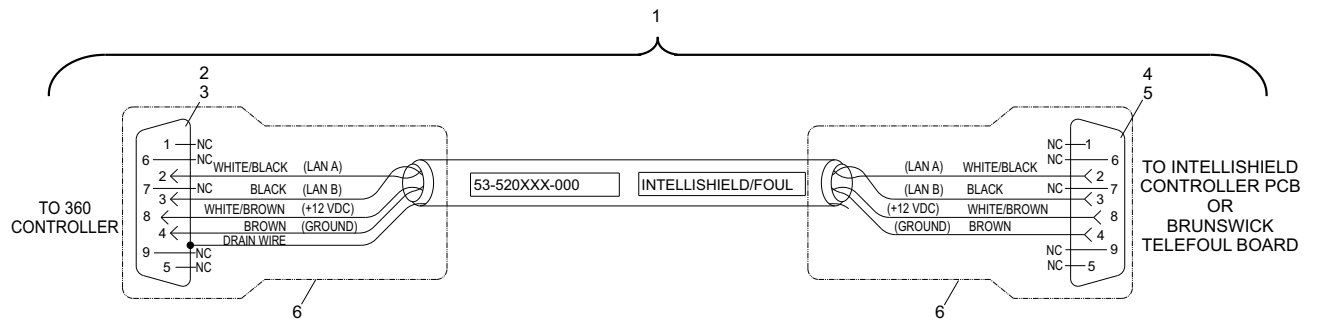
**Ball Door Control Cable - Boost ST, Separated Lane Pair Cable Assembly
55-143182-000**



**Ball Door Control Cable - Boost ST, Separated Lane Pair Cable Assembly
55-143182-000**

Index No.	Part No.	Package / Order Reference	Description
1.	53-520516-000		IntelliFoul Foul / IntelliShield Cable
2.	11-680985-000		Connector 9 Position D-Sub Plug
3.	11-680981-000		Terminal Pin
4.	11-680995-000		Connector 9 Position D-Sub Receptacle
5.	11-680983-000		Terminal Socket
6.	11-680996-000		Metal Backshell - 9 Position D type

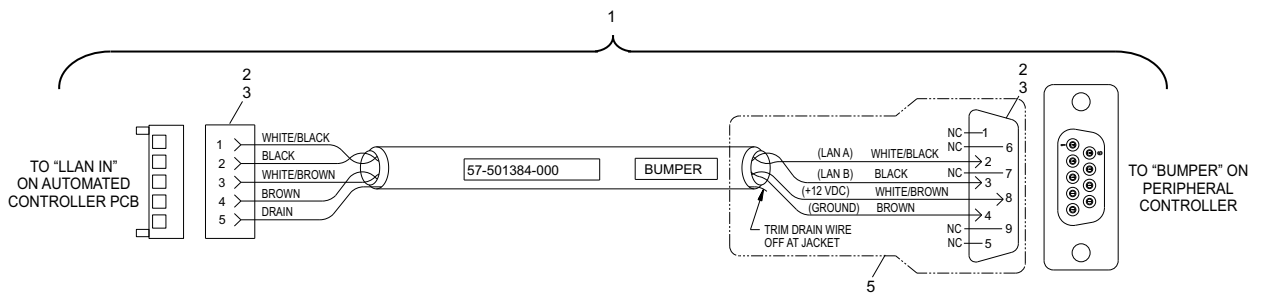
**IntelliFoul / IntelliShield Cable Assembly
53-520516-000**



**IntelliFoul / IntelliShield Cable Assembly
53-520516-000**

Index No.	Part No.	Package / Order Reference	Description
1.	57-501384-000		Boost 360 Controller To PBW Bumpers
2.	11-680985-000		Connector 9 Position D-Sub Plug
3.	11-680981-000		Terminal Pin
4.	11-680995-000		Connector 9 Position D-Sub Receptacle
5.	11-680983-000		Terminal Socket
6.	11-680996-000		Metal Backshell - 9 Position D type

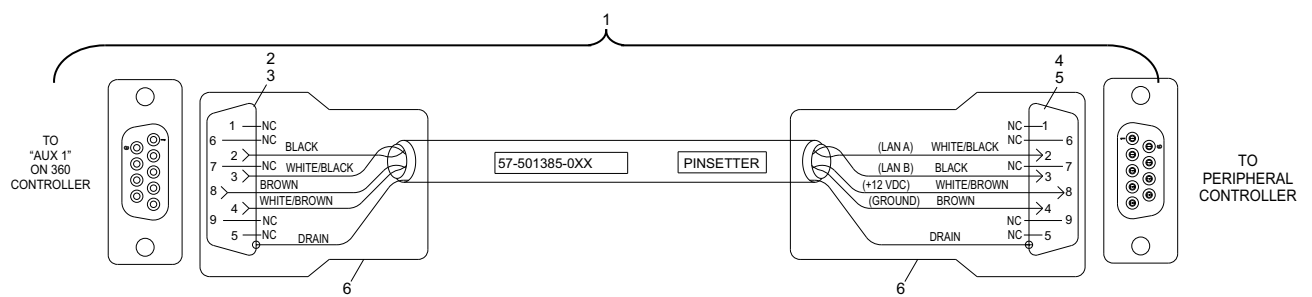
**Boost 360 Controller to PBW Bumper Cable Assembly
57-501384-000**



**Boost 360 Controller to PBW Bumpers Cable Assembly
57-501384-000**

Index No.	Part No.	Package / Order Reference	Description
1.	57-501385-000		Peripheral Controller to 360 Controller Cable - 25 FT.
	57-501385-033		Peripheral Controller to 360 Controller Cable - 33 FT.
	57-501385-045		Peripheral Controller to 360 Controller Cable - 45 FT.
2.	11-680995-000		Connector 9 Position D-Sub Receptacle
3.	11-680983-000		Terminal Socket
4.	11-680985-000		Connector 9 Position D-Sub Plug
5.	11-680981-000		Terminal Pin
6.	11-680996-000		Metal Backshell - 9 Position D type

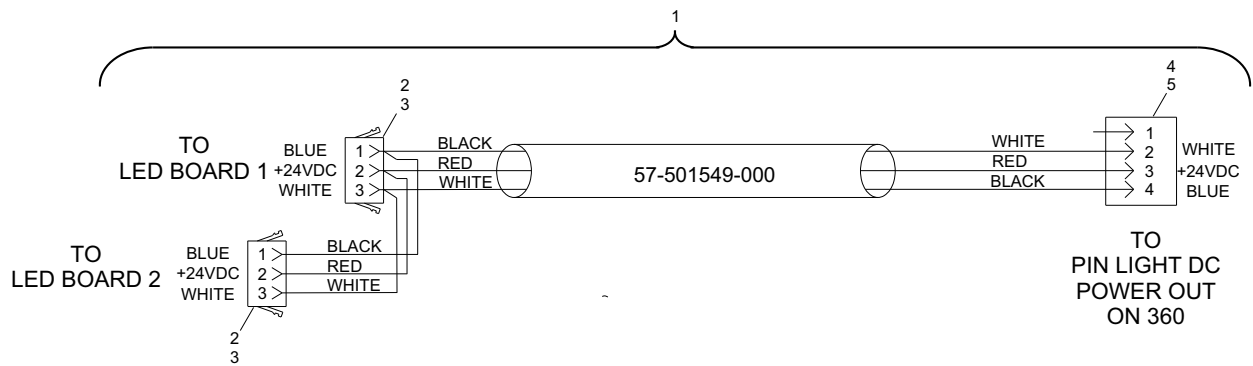
**Peripheral Controller to 360 Controller Cable Assembly
57-501385-XXX**



**Peripheral Controller to 360 Controller Cable Assembly
57-501385-XXX**

Index No.	Part No.	Package / Order Reference	Description
1.	57-501549-000		Nitro 2-Color Pin Light Cable Assembly
2.	11-680119-000		Connector (4 Position .062 Plug)
3.	11-680302-000		Terminal (.062 Male)
4.	11-680203-000		Connector Housing (3 Position .062 Receptacle)
5.	11-680301-000		Terminal (.062 Female)

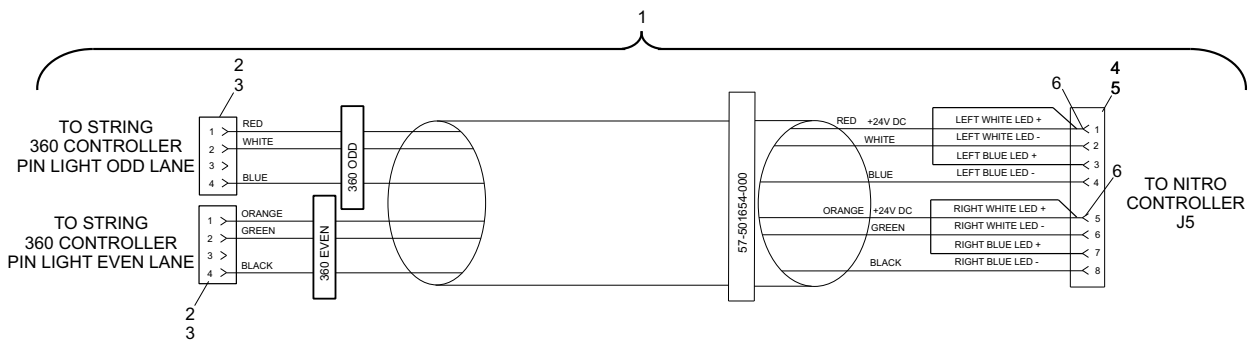
**Nitro 2-Color Pin Light Cable Assembly
57-501549-000**



**Nitro 2-Color Pin Light Cable Assembly
57-501549-000**

Index No.	Part No.	Package / Order Reference	Description
1.	57-501654-000		Nitro Multi Color Pin Light Cable Assembly
2.	11-680119-000		Connector (4 Position .062 Plug)
3.	11-680302-000		Terminal (.062 Male)
4.	11-692308-000		Connector (8 Position Mini-Fit)
5.	11-692091-000		Terminal, Receptacle 18/24 AWG (Mini-Fit)
5.	11-692092-000		Terminal, Receptacle 16 AWG (Mini-Fit)

**Nitro Multi-Color Pin Light Cable
57-501654-000**



Nitro Multi-Color Pin Light Cable
57-501654-000

Intentionally Blank Page

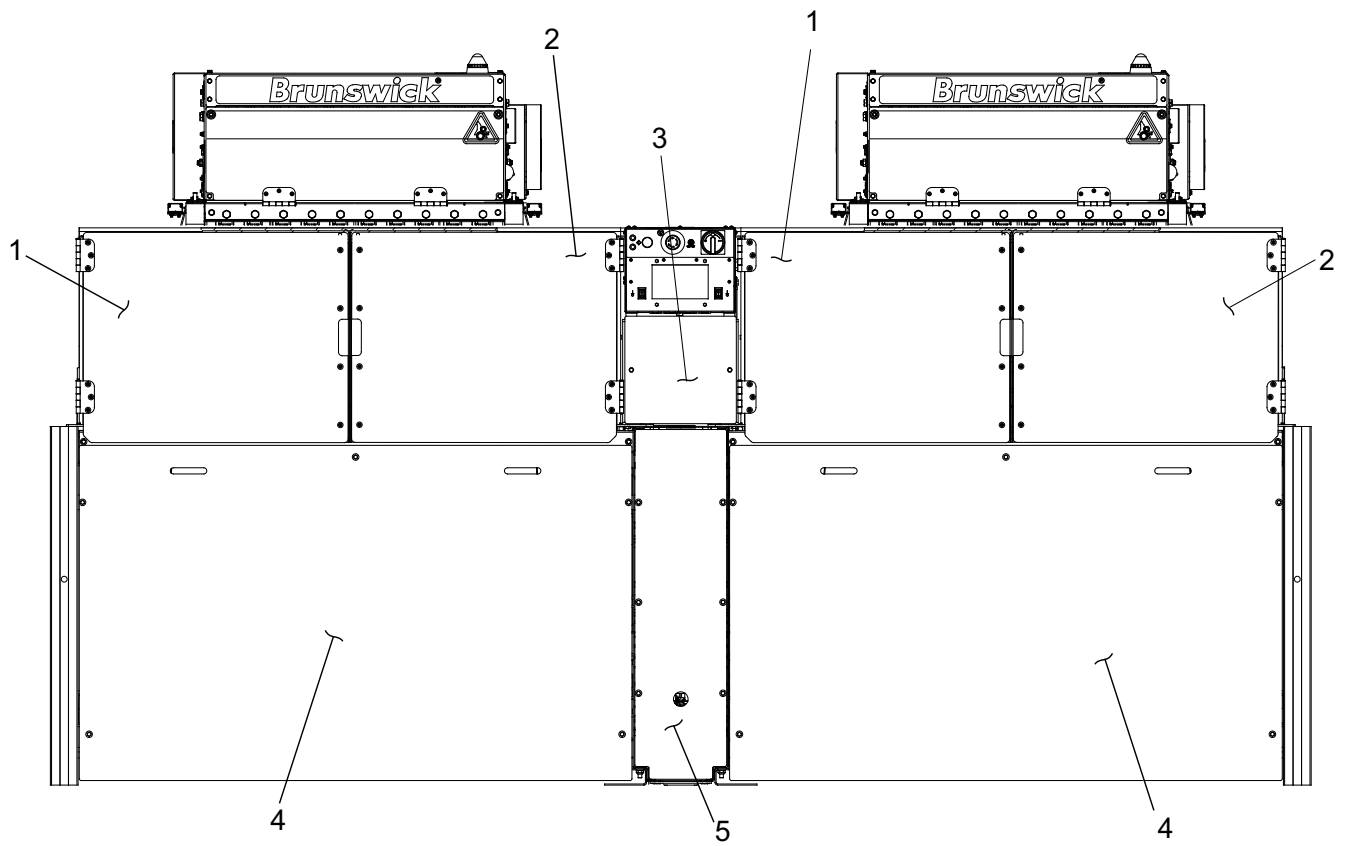
Section H

Guards and Safety

SECTION REVISION DATE
APRIL 2024

Index No.	Part No.	Package / Order Reference	Description
1.	55-099546-009		R.H. Rear Upper Guard Door w/Magnetic Latch
2.	55-099544-009		L.H. Rear Upper Guard Door w/Magnetic Latch
3.	55-279314-009		Controller Protector Plate
4.	55-279326-009		Rear Lower Guard Plate
5.	55-279325-009		Ball Return Rear Plate

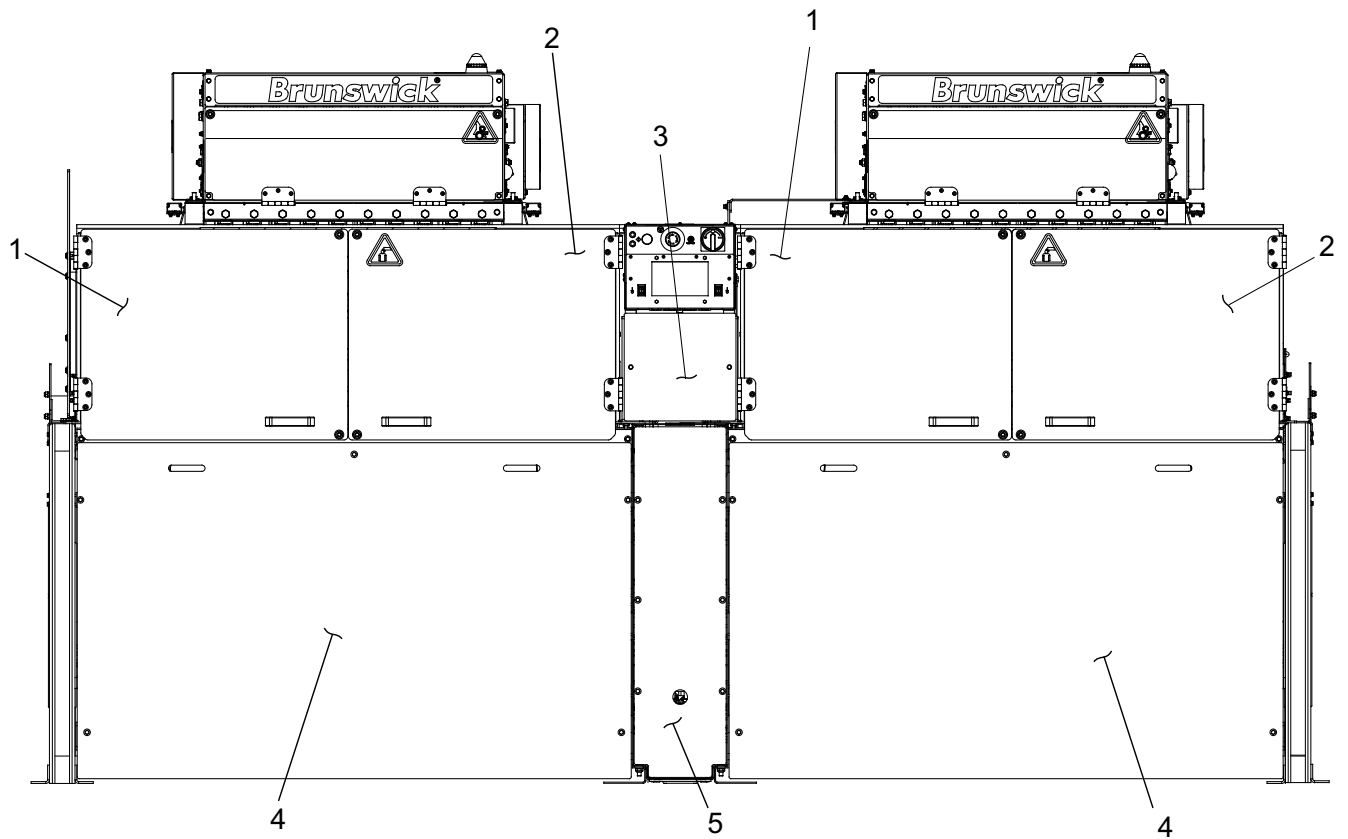
Rear Guards - UL



Rear Guards - UL

Index No.	Part No.	Package / Order Reference	Description
1.	55-099063-009		R.H. Rear Upper Guard Door w/Camlock Latch
2.	55-099085-009		L.H. Rear Upper Guard Door w/Camlock Latch
3.	55-279314-009		Controller Protector Plate
4.	55-279326-009		Rear Lower Guard Plate
5.	55-279325-009		Ball Return Rear Plate

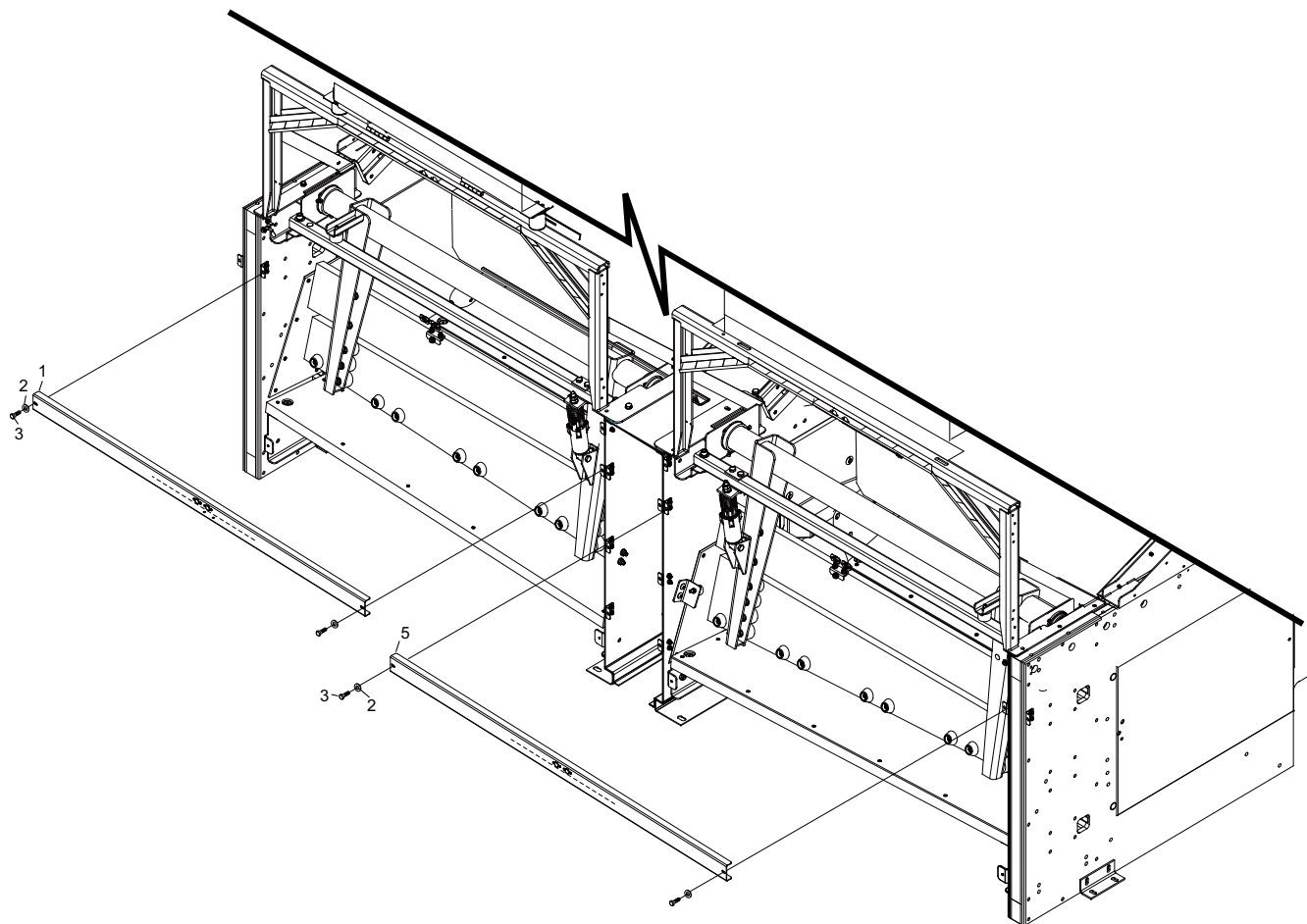
Rear Guards - CE



Rear Guards - CE

Index No.	Part No.	Package / Order Reference	Description
1.	55-279081-002		R.H. Horizontal Holder Assembly w/Magnetic Latch
	55-279081-009		R.H. Horizontal Holder Assembly w/Camlock Latch
2.	11-052037-001		(M10) Flat Washer
3.	11-051018-001		Hex Head Cap Screw (M6 X 20 Mm)
4.	11-051744-001		(M8) Locknut
5.	55-279078-002		L.H. Horizontal Holder Assembly w/Magnetic Latch
	55-279078-009		L.H. Horizontal Holder Assembly w/Camlock Latch

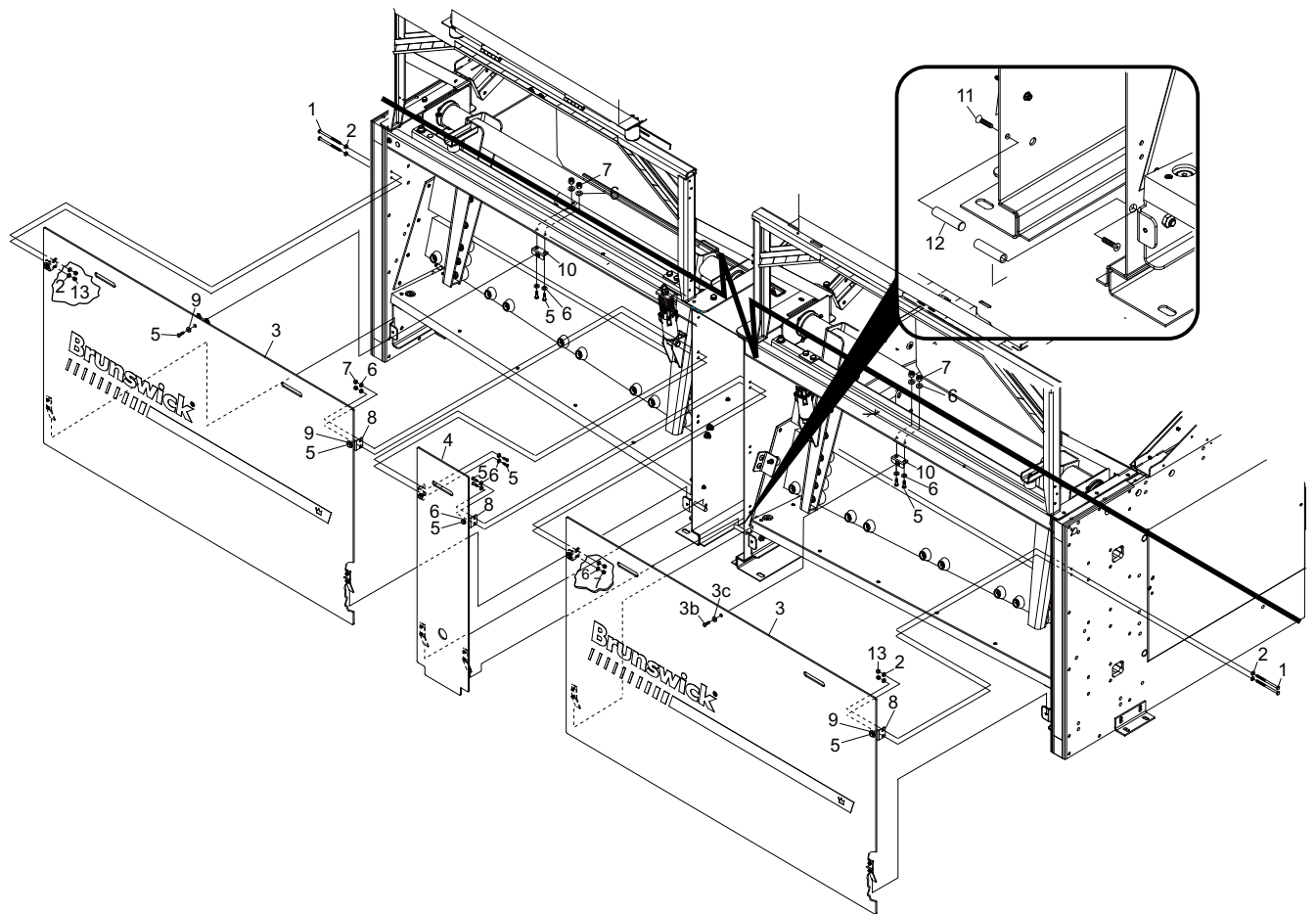
Rear Guard - Horizontal Bracket



Rear Guard - Horizontal Bracket

Index No.	Part No.	Package / Order Reference	Description
1.	11-051117-001		Hex Head Cap Screw (M6 X 100 MM)
2.	11-052008-000		(M6) Flat Washer
3.	55-279326-009		Rear Guard Plate Complete w/Brackets and Hardware
4.	55-279325-009		Ball Return Rear Plate Complete w/ Brackets And Hardware
5.	11-051010-000		Hex Head Cap Screw (M8 X 20 MM)
6.	11-052003-000		Flat Washer (M8)
7.	11-051744-000		Locknut (M8)
8.	55-099065-001		Ass'y - Guard Bracket
9.	11-052019-001		Flat Washer (M10)
10.	55-279371-001		Assembly Guard Rear Holder Plate
11.	11-052953-000		Screw Socket Flat Head
12.	55-279512-000		Threaded Pin
13.	11-051743-000		Locknut (M6)

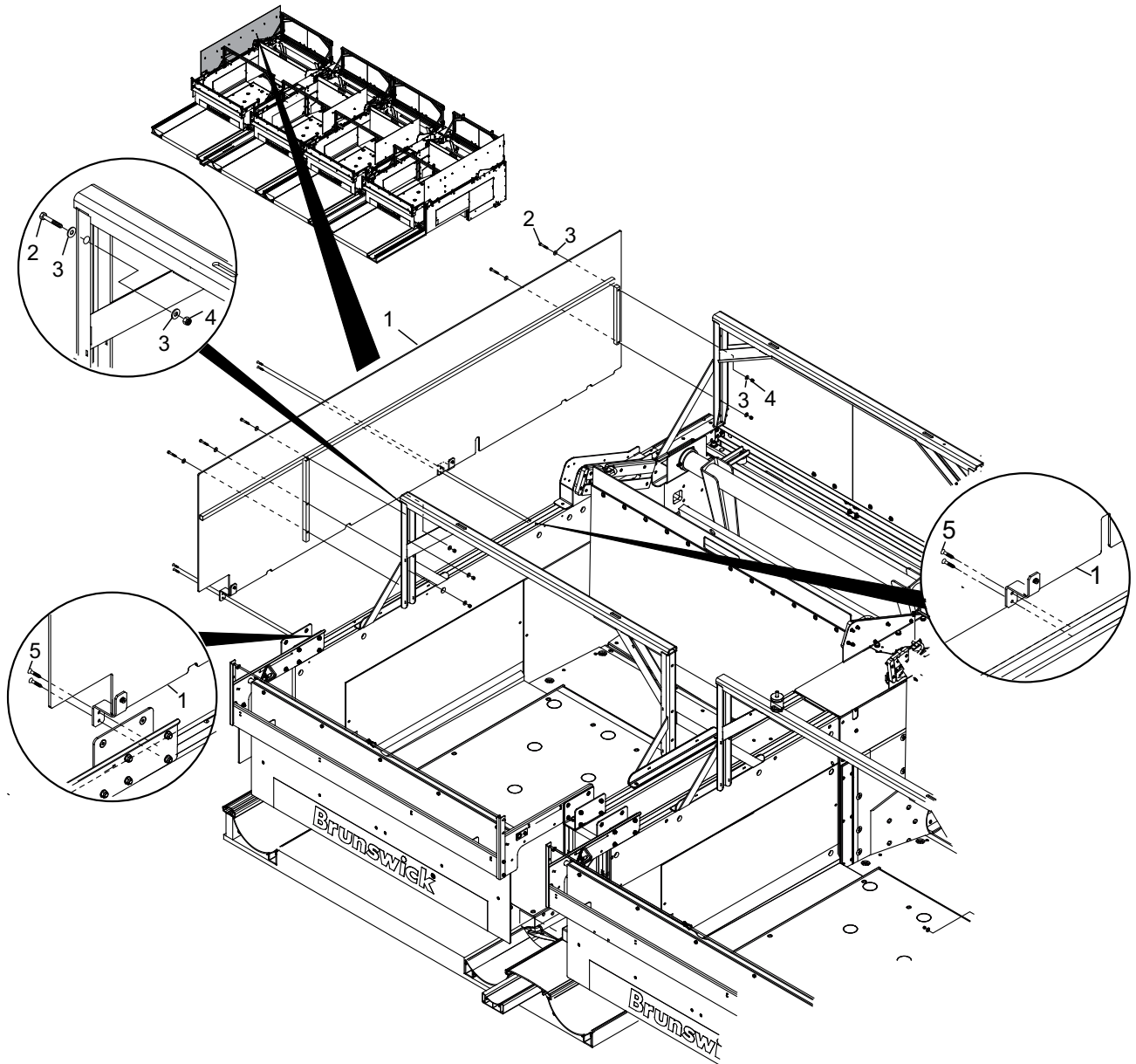
Rear Guards - Lower Guards and Brackets



Rear Guards - Lower Guards and Brackets

Index No.	Part No.	Package / Order Reference	Description
1.	55-099327-009		Package - End Lane Division Guard
2.	11-051007-000		Hex Head Cap Screw (M6 X 40 MM)
3.	11-052037-001		Flat Washer
4.	11-051743-000		(M6) Locknut
5.	11-051892-000		Torx Countersink Wood Screw

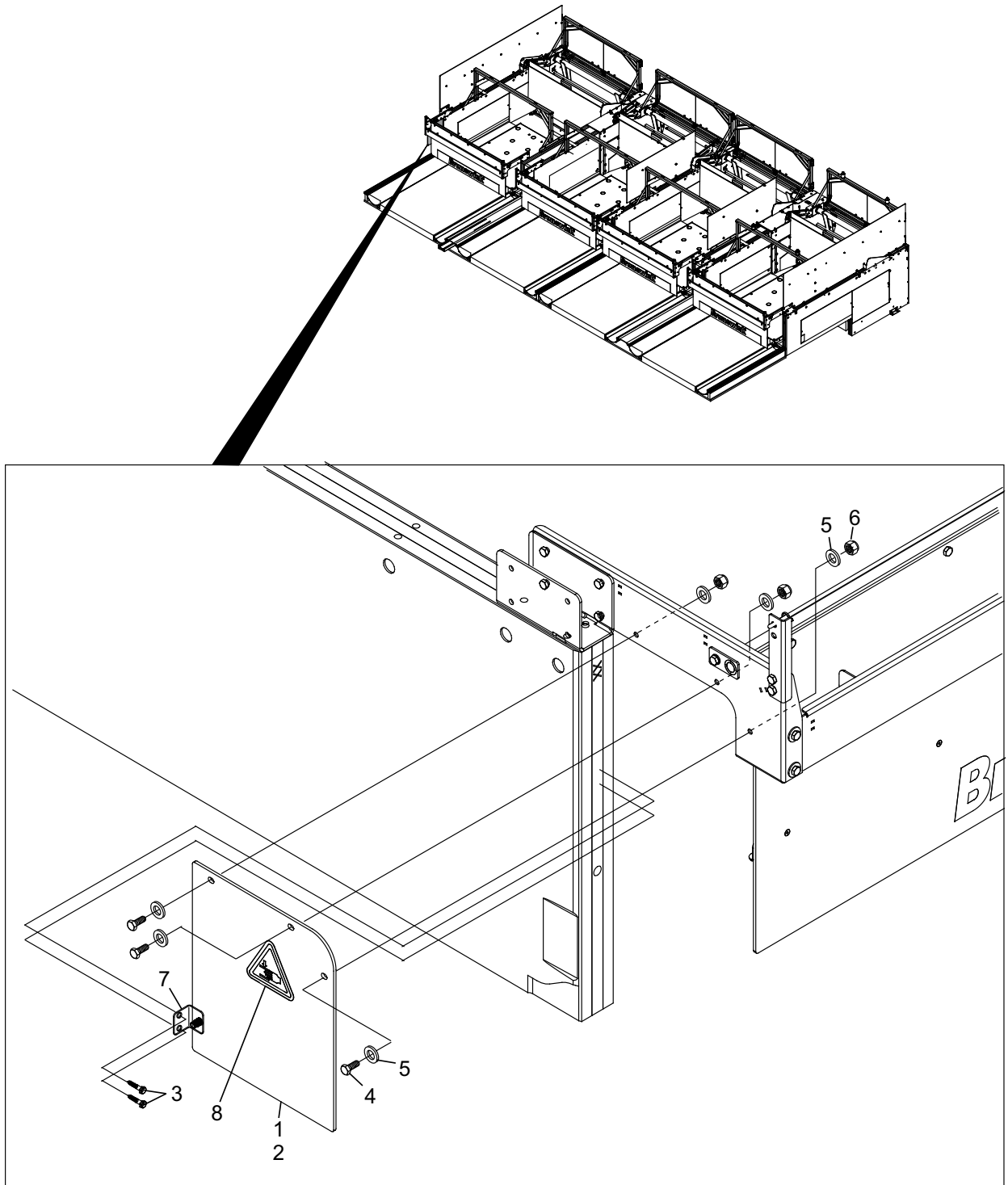
End Lane Division Guard - Left Side



End Lane Division Guard - Left Side

Index No.	Part No.	Package / Order Reference	Description
1.	55-099361-009		Package - Front Gate Guard (Includes Indexes 2-8)
2.	55-099361-001		Assembly - Front Gate Guard
3.	11-053308-000		Hex Head Wood Screw
4.	11-051010-001		Hex Head Cap Screw (M8 X 20mm)
5.	11-052003-000		Flat Washer
6.	11-051744-000		(M8) Locknut
7.	55-099065-001		Guard Bracket
8.	99-268201-003		"Pinch Point" Safety Label

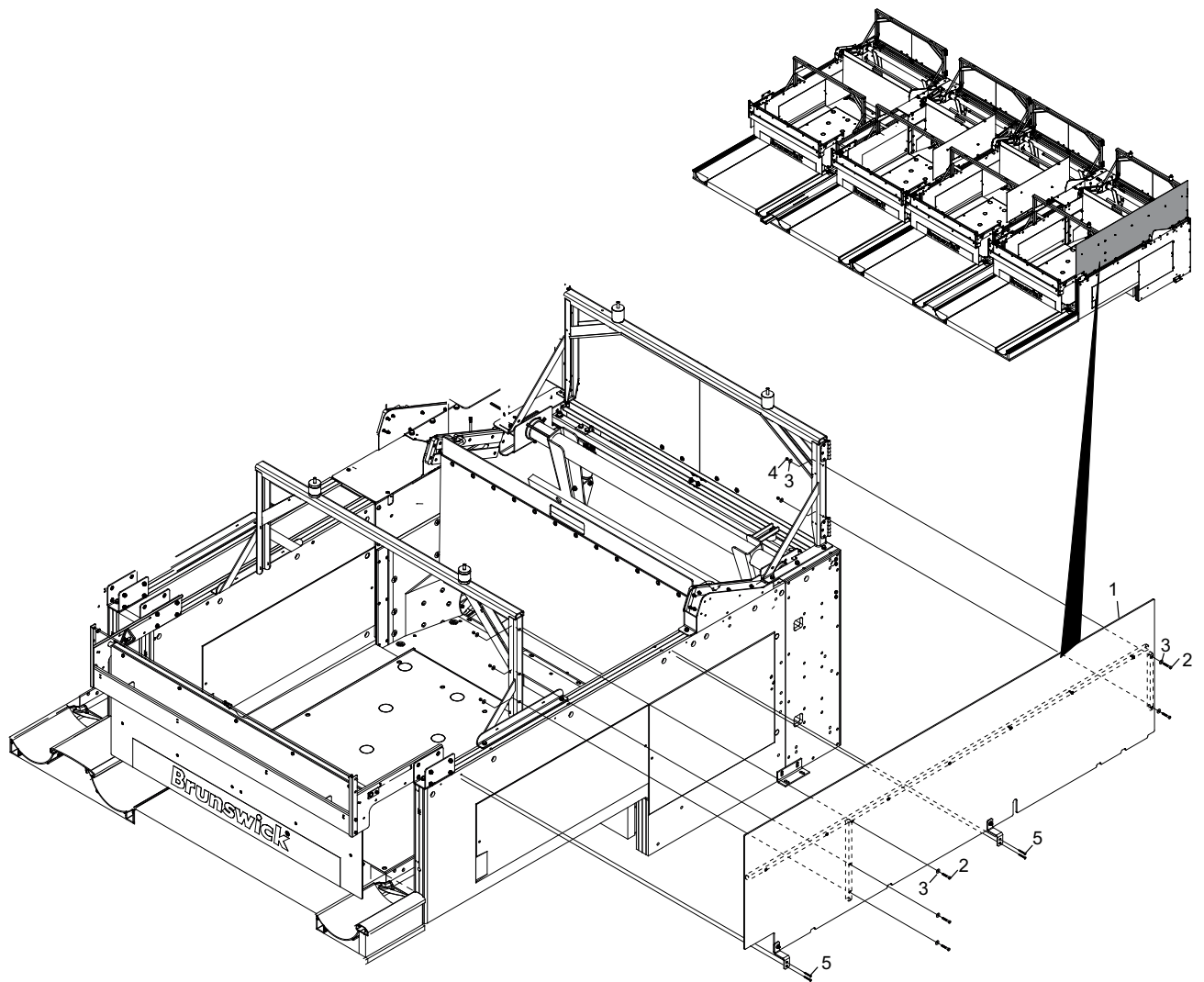
End Lane Gate Guard - Left Side



End Lane Gate Guard - Left Side

Index No.	Part No.	Package / Order Reference	Description
1.	55-099327-009		Package - End Lane Division Guard
2.	11-051007-000		Hex Head Cap Screw (M6 X 40 mm)
3.	11-052037-001		Flat Washer
4.	11-051743-000		(M6) Locknut
5.	11-051892-000		Torx Countersink Wood Screw

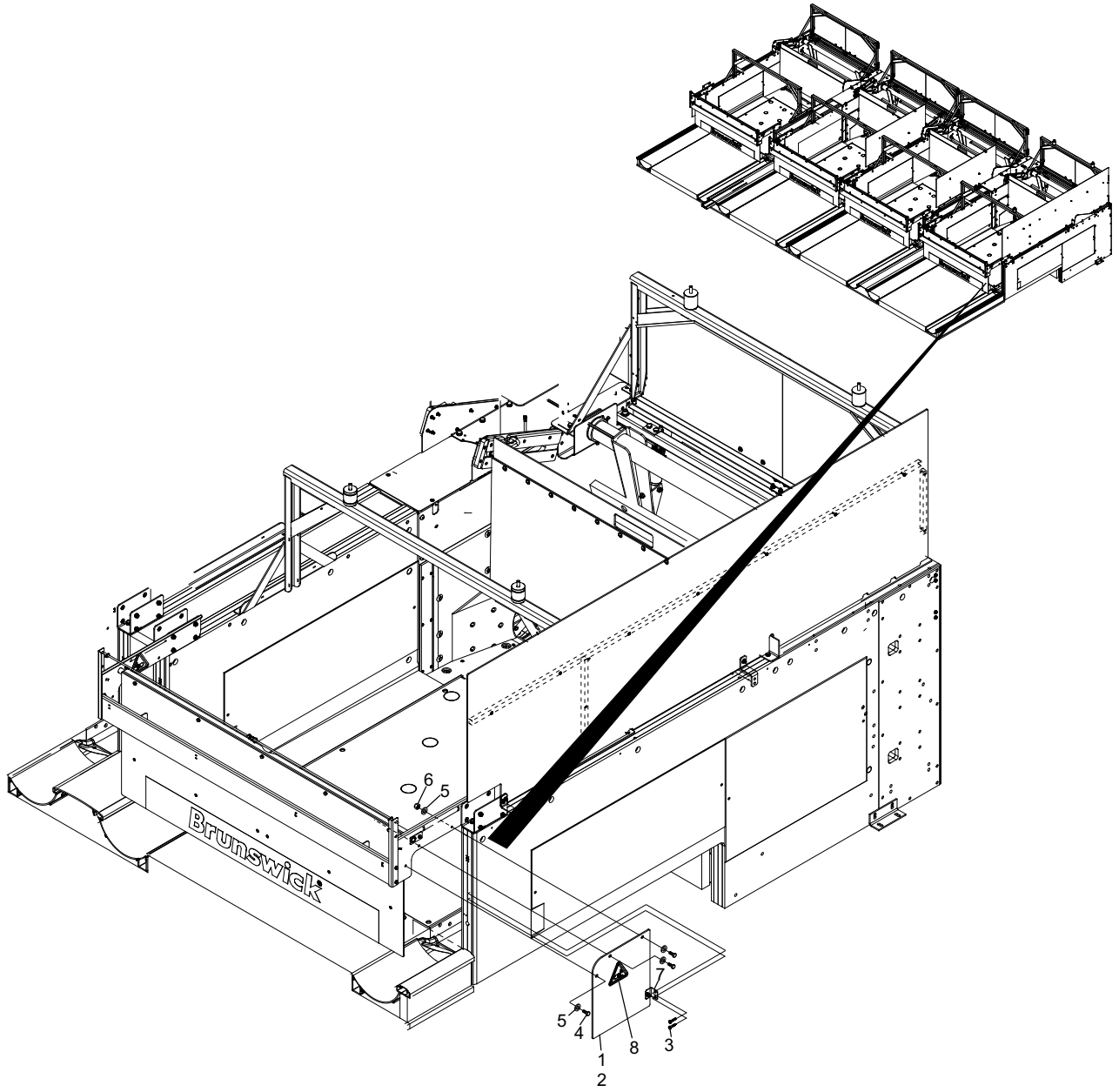
End Lane Division Guard - Right Side



End Lane Division Guard - Right Side

Index No.	Part No.	Package / Order Reference	Description
1.	55-099361-009		Package - Front Gate Guard (Includes Indexes 2-8)
2.	55-099361-001		Assembly - Front Gate Guard
3.	11-053308-000		Hex Head Wood Screw
4.	11-051010-001		Hex Head Cap Screw (M8 X 20 mm)
5.	11-052003-000		Flat Washer
6.	11-051744-000		(M8) Locknut
7.	55-099065-001		Guard Bracket
8.	99-268201-003		"Pinch Point" Safety Label

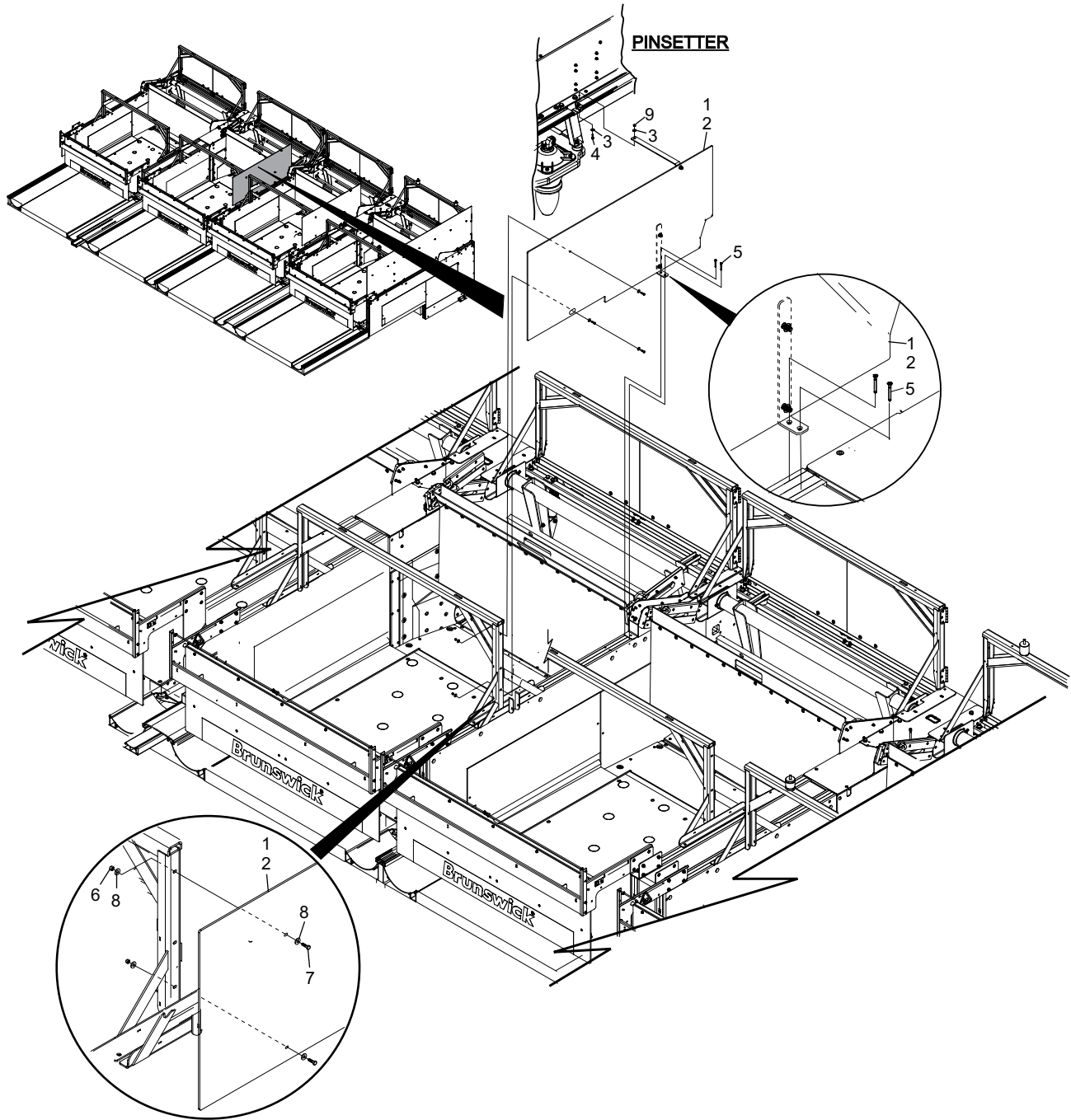
End Lane Gate Guard - Right Side



End Lane Gate Guard - Right Side

Index No.	Part No.	Package / Order Reference	Description
1.	55-099387-009		Pin Guard Plate Package (Includes Indexes 2-9)
2.	55-099387-000		Pin Guard Plate Assembly
3.	11-052037-001		Flat Washer
4.	11-051018-000		Hex Head Cap Screw (M6 X 20 MM)
5.	11-051898-000		Torx Countersink Wood Screw
6.	11-051744-000		(M8) Locknut
7.	11-051015-000		Hex Head Cap Screw (M8 X 25 MM)
8.	11-052003-000		Flat Washer
9.	11-051743-001		(M6) Locknut

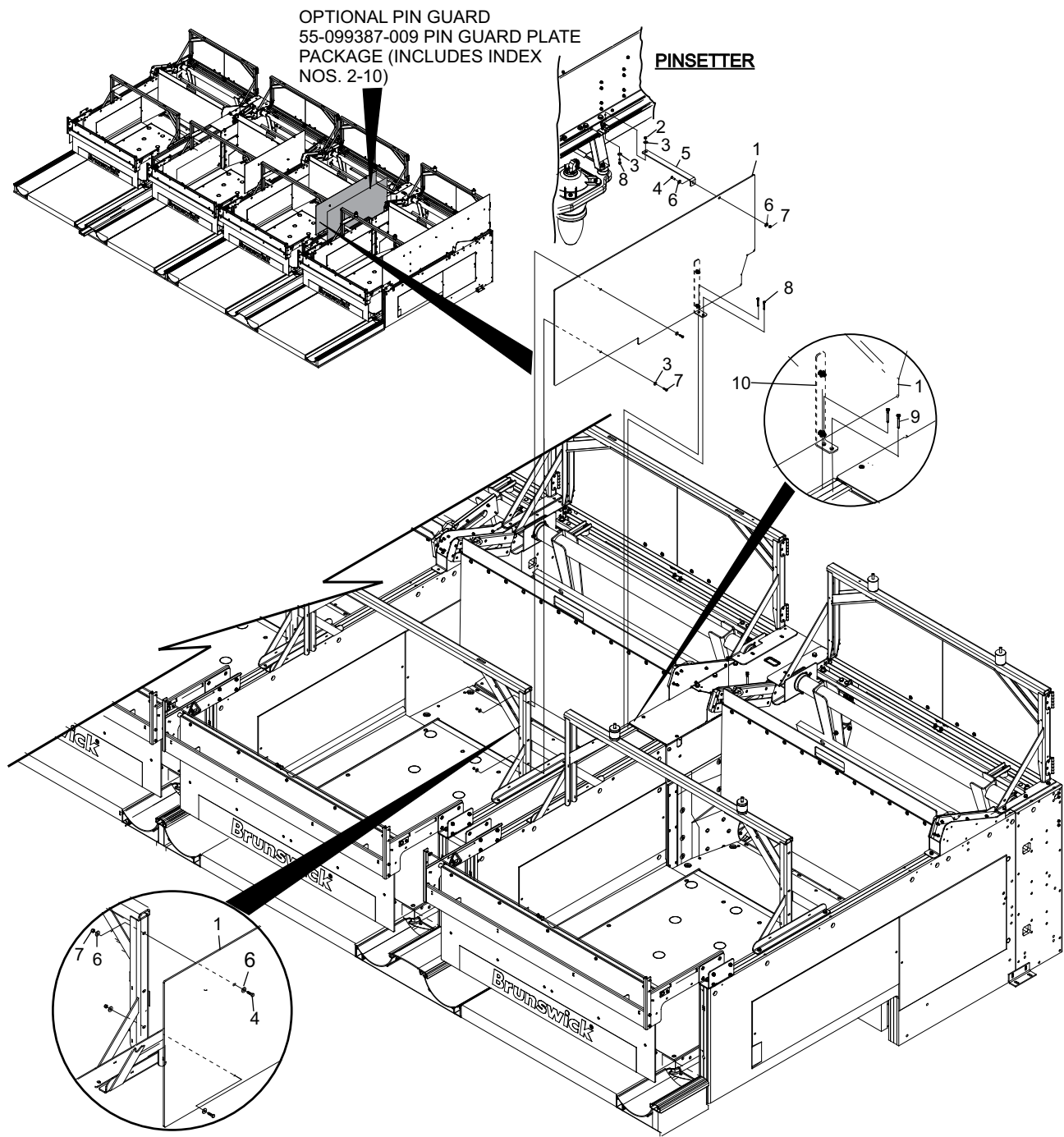
Inside Division Guard



Inside Division Guard

Index No.	Part No.	Package / Order Reference	Description
1.	55-099387-009		Pin Guard Plate Package (Includes Indexes 2-10)
2.	11-051743-001		(M6) Locknut
3.	11-052037-001		(M10) Flat Washer
4.	11-051015-000		Hex Head Cap Screw (M8 X 25 mm)
5.	55-099390-000		Reinforcement Bracket
6.	11-052003-000		(M8) Flat Washer
7.	11-051744-000		(M8) Locknut
8.	11-051018-001		Hex Head Cap Screw (M6 X 20 mm)
9.	11-051898-000		Torx Countersink Wood Screw
10.	55-099391-000		Holder, Pin Guard

Ball Return Side Guard



Ball Return Side Guard

Intentionally Blank Page