

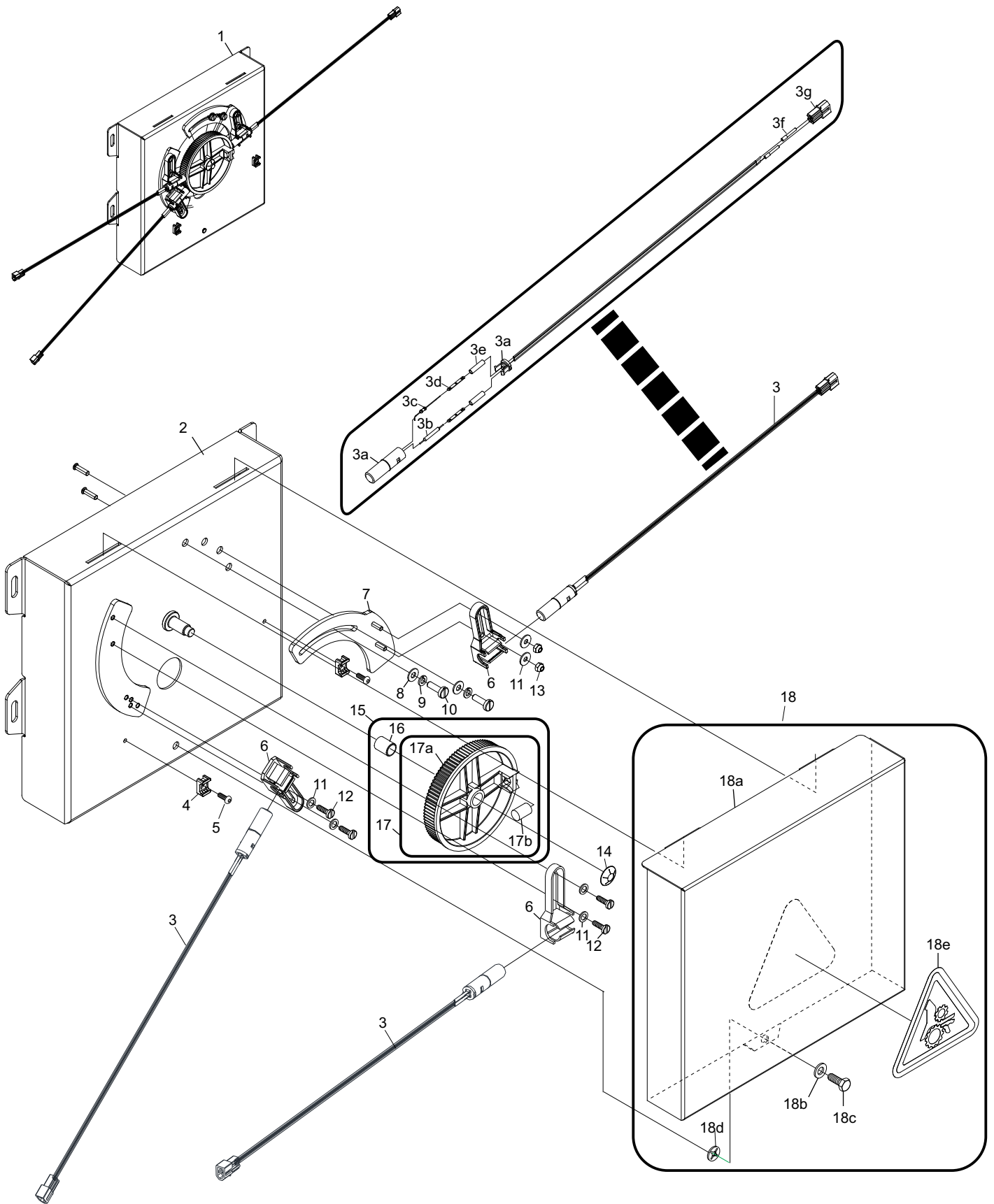
Section F

Electronics

SECTION REVISION DATE
APRIL 2024

Index No.	Part No.	Package / Order Reference	Description
1.	55-079345-009		Cluster Housing Assembly
2.	55-079345-000		Cluster Housing
3.	55-143047-000		Assembly Cluster Reed Switch
3a.	99-050125-003		Housing
3b.	47-074221-004		Reed Switch
3c.	11-691121-000		Resistor
3d.	99-050183-004		Reed
3e.	47-227160-000		Heat Shrink Tubing
3f.	11-680302-000		Pin
3g.	11-680116-000		Housing
4.	99-226387-000		Cable Tie Holder
5.	11-054601-000		Pop Rivet
6.	99-050187-004		Switch Holder
7.	55-078255-000		Switch Support For Cluster
8.	11-052020--000		Flat Washer
9.	11-051768-000		Lock Washer
10.	11-052369-000		Pan Head Screw
11.	11-052021-000		Flat Washer
12.	11-052354-000		Pan Head Screw
13.	11-051741-000		Locknut
14.	11-053478-000		Speed Nut
15.	55-078216-009		Gear Assembly - includes index Nos. 16,17,17a, and 17b,
16.	55-078024-000		Bearing
17.	55-071111-009		Cluster Gear w/Magnet
17a.	55-070484-003		Gear
17b.	55-040711-004		Magnet
18.	55-079346-009		Cluster Cover Assembly
18a.	55-079346-000		Cluster Cover
18b.	11-052020-000		Flat Washer
18c.	11-051069-000		Hex Head Cap Screw
18d.	11-690553-000		Retainer
18e.	99-268200-003		Decal

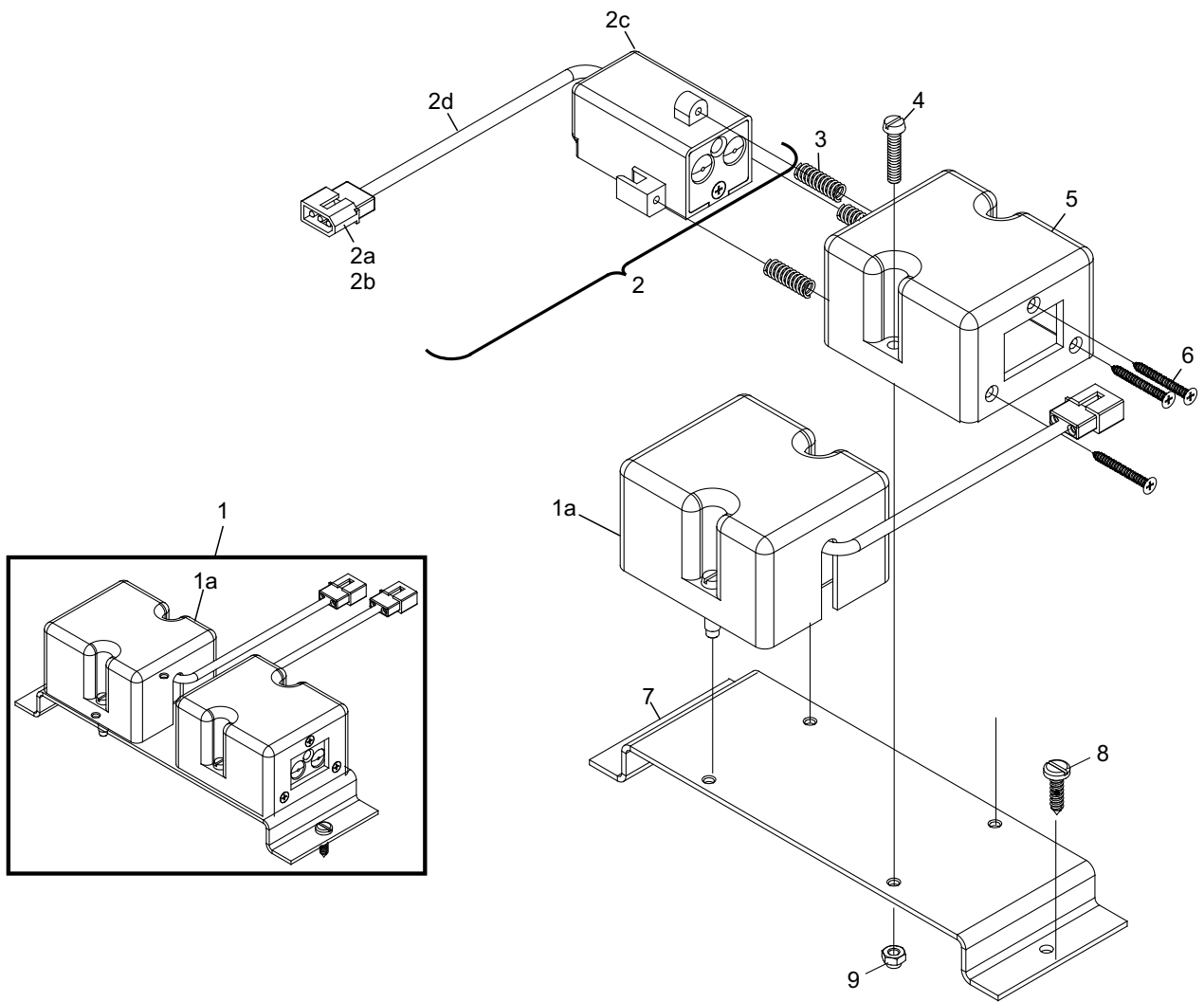
Switch Cluster



Switch Cluster

Index No.	Part No.	Package / Order Reference	Description
1.	99-087141-000		Ball Detect Assembly Complete
	1a. 99-087140-000		Ball Detect Only - Single Unit
2.	99-087139-000		Ball Detect Complete
	2a. 11-680101-000		Connector Plug (Molex)
	2b. 11-680302-000		Pin (Molex)
	2c. 99-080193-004		Ball Detector Box
	2d. 99-080269-004		Cable - Ball Detector
3.	99-080180-004		Compression Spring
4.	11-052211-001		Slotted Head Machine Screw
5.	99-080186-003		Ball Detect Housing
6.	11-086307-001		Flat Head Tapping Screw
7.	99-080213-003		Support Bracket
8.	11-053203-001		Tapping Screw
9.	11-051741-001		Metric Hex Locknut

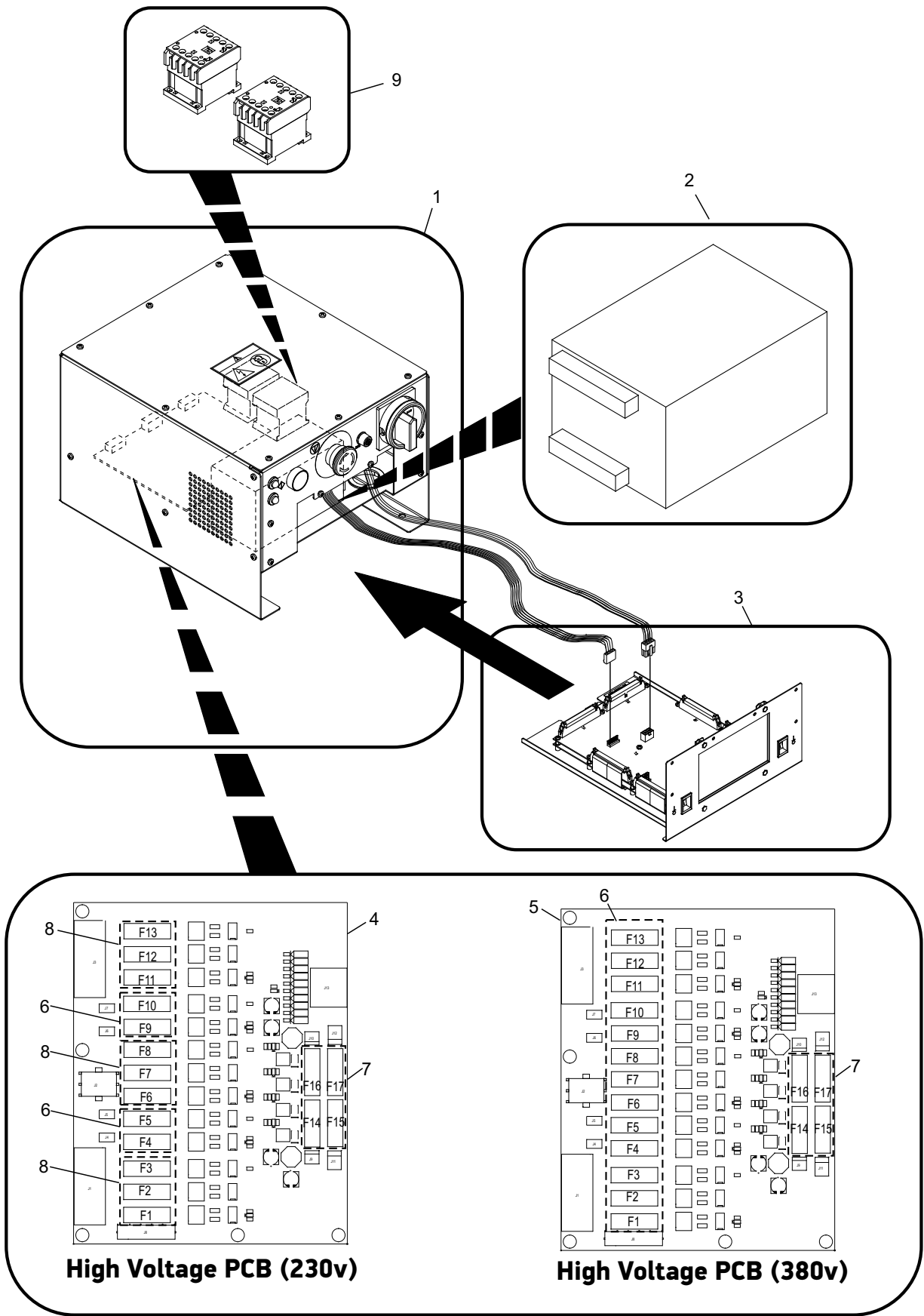
Ball Detect



Ball Detect

Index No.	Part No.	Package / Order Reference	Description
1.	55-143118-230	55-860075-230	Pkg. Boost 360 Controller Assembly - UL 208V/230V
	55-143118-400	55-860075-400	Pkg. Boost 360 Controller Assembly - UL 400V
2.	11-696982-000	55-860060-000	Power Supply (24V)
3.	53-143120-400	55-860076-400	Controller Slide Out
4.	55-143008-230	55-860059-230	High Voltage PCB (230V)
5.	55-143008-380	55-860059-380	High Voltage PCB (380V)
6.	11-685062-000	57-861635-000	Fuse, 2.0A, 250V Slow Blow, Pkg of 4
7.	11-685061-000		Fuse, 1.0A, 250V Slow Blow, Pkg of 4
8.	11-685067-000	57-861874-000	Fuse, 3.0A, 250V Slow Blow, Pkg of 4
9.	11-671007-000		Contactator

Boost 360 Controller



Boost 360 Controller