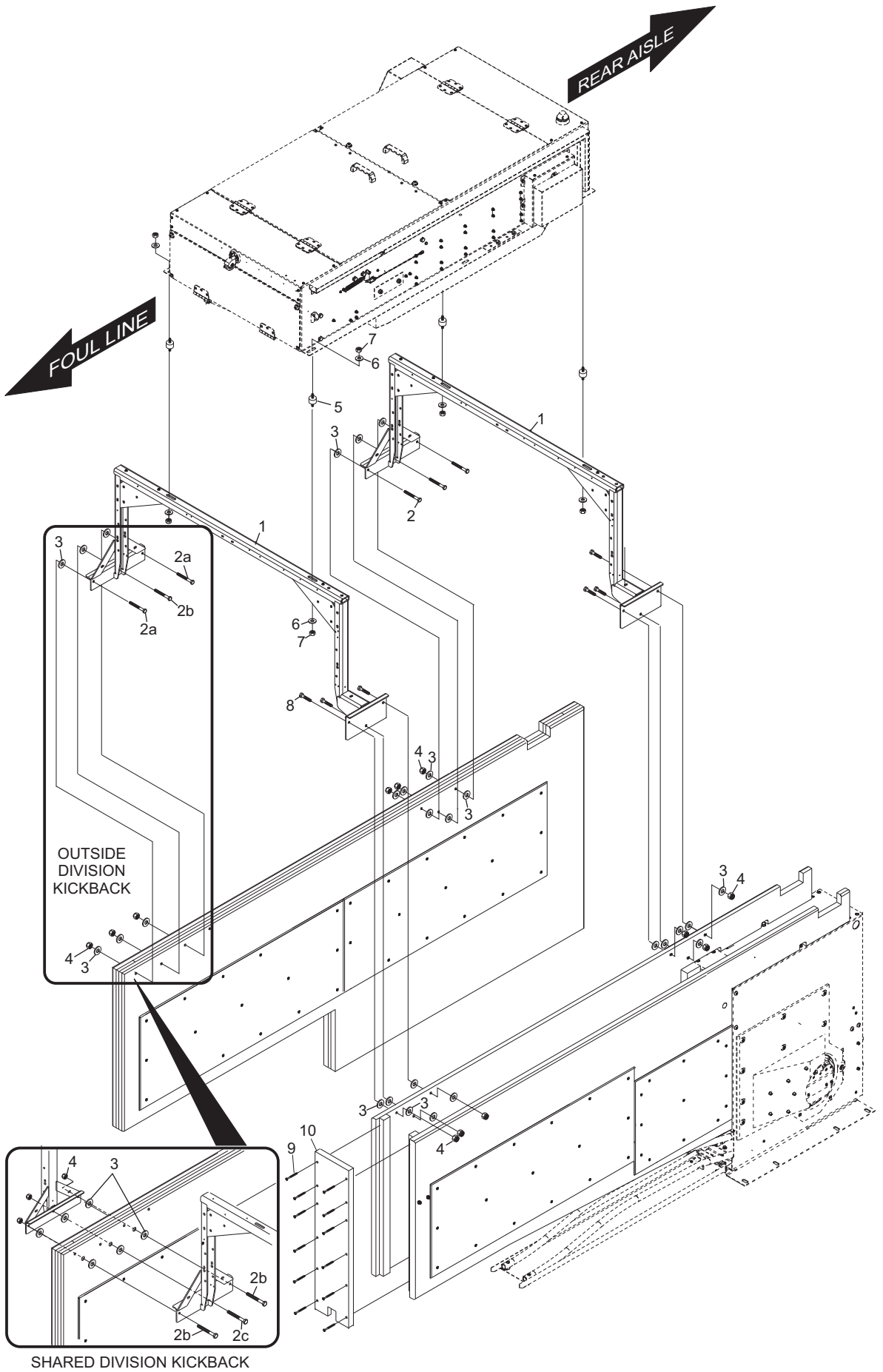


Section B

Frame

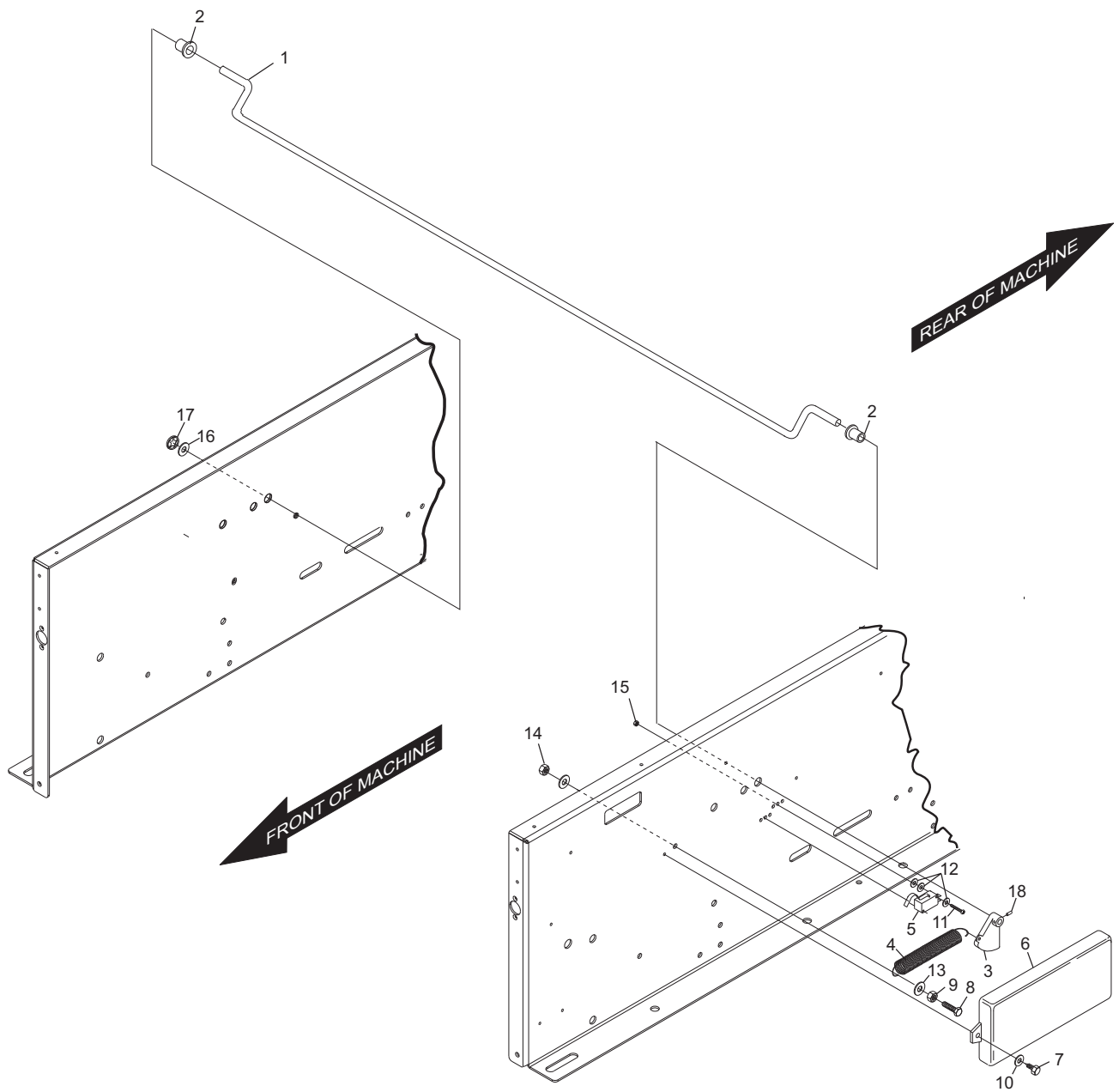
Index No.	Part No.	Package / Order Reference	Description
1.	55-278117-001		Machine Support Frame
2a.	11-051017-001		Hex Head Cap Screw (M8 x 90 mm)
2b.	11-051081-001		Hex Head Cap Screw (M8 x 100 mm)
2c.	11-051107-001		Hex Head Cap Screw (M8 x 110 mm)
3.	11-052016-001		Optional Flat Washers (8 mm x 30 mm x 2 mm)
4.	11-051744-001		Hex Locknut (M8)
5.	55-278022-000		Rubber Bumper Mount
6.	11-052050-001		Flat Washer (10.5 mm x 30 mm x 2.5 mm)
7.	11-051745-001		Hex Locknut (M10)
8.	11-051011-001		Hex Head Cap Screw (M8 x 50 mm)
9.	11-051893-000		T-25 Torx Screws S.C.S.H.W.S. (M5 x 60 mm)
10.	55-278147-000		Front Cover (Black)



Frame Assembly

Index No.	Part No.	Package / Order Reference	Description
1.	55-050638-004		Pivot Rod
2.	47-075435-004		Nylon Bushing
3.	55-050613-004		Clutch Jam Cam
4.	55-050636-004		Clutch Spring
5.	55-143049-000		Jam Switch
6.	55-058210-000		Clutch Cover (Black)
7.	11-051069-001		Screw Hex Cap (M5 x 12 mm)
8.	11-051028-000		Hex Hd. Cap Screw (M6 x 25 mm)
9.	11-051702-001		Hex Nut (M6)
10.	11-052020-001		Flat Washer (5.3 mm x 12 mm x 1 mm)
11.	11-052214-001		Machine Screw (M3 x 20 mm)
12.	11-052058-000		Flat Washer (3.2 mm x 9 mm x .8 mm)
13.	11-052008-001		Flat Washer (6.4 mm x 12 mm x 1.6 mm)
14.	11-051743-001		Self Locking Hex Nut (M6)
15.	11-051746-001		Self Locking Hex Nut (M3)
16.	11-052003-001		Flat Washer (8.4 mm x 16 mm x 1.6 mm)
17.	11-053478-001	47-861050-000	Speed Nut (Quick Lock #17), Pkg Qty - 10
18.	11-052681-001		Spring Pin (3 mm x 16 mm)

Clutch Jam (Tangle) Mechanism

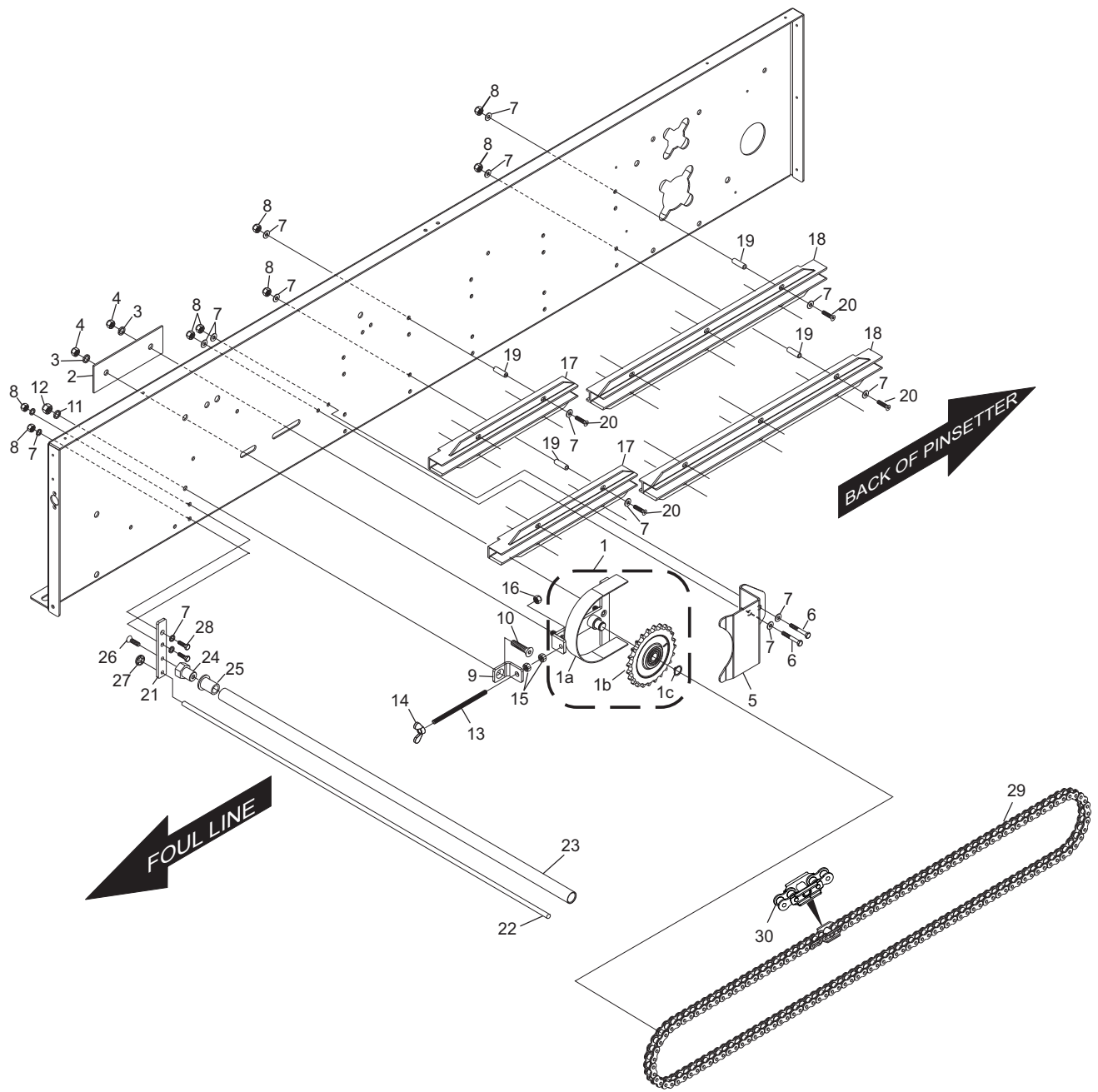


Clutch Jam (Tangle) Mechanism

Index No.	Part No.	Package / Order Reference	Description
1.	55-068211-009		Drive Chain Guard Assembly
	1a. 55-068010-000		Drive Chain Guard
	1b. 55-060208-003		Sprocket
	1c. 11-051852-000		Retaining Ring - External (17 mm)
2.	55-060207-003		Tension Bracket
3.	11-051771-001		Lockwasher (M10)
4.	11-051745-001		Hex Lock Nut (M10)
5.	55-068011-000		Drive Chain Guard (Cover)
6.	11-051035-001		Hex Hd. Cap Screw (M6 x 16 mm)
7.	11-052008-001		Flat Washer (6.4 mm x 12 mm x 1.6mm)
8.	11-051743-001		Hex Lock Nut (M6)
9.	55-068133-004		Support Plate (Bracket) for Drive Chain Guard
10.	11-052927-001		Flat Sink Hd. Socket Screw (M8 x 20 mm)
11.	11-052003-001		Flat Washer (8.4 mm x 16 mm x 1.6 mm)
12.	11-051744-001		Hex Lock Nut (M8)
13.	55-068132-004		Threaded Rod (M8 x 155 mm)
14.	11-149045-001		Wing Nut (M8)
15.	11-051704-001		Hex Nut (M8)
16.	11-051744-001		Hex Lock Nut (M8)
17.	55-068149-000	*55-068149-009	Short Chain Guide
18.	55-068148-000	*55-068148-009	Long Chain Guide
19.	55-068027-000	N/A	Spacer
20.	11-051574-001	N/A	Socket Head Cap Screw (M6 x 45 mm)
21.	55-018015-000		Base Plate - Guide Bracket Support
22.	55-018136-002		Rod - For Guide Bracket
23.	55-018135-002		Guide Rod
24.	55-018016-000		Shoulder Stud
25.	47-034842-004		Plastic Bushing
26.	11-052936-001		Flat Sink Head Socket Screw (M6 x 16 mm)
27.	11-053478-001	47-861050-000	Speed Nut (Quicklock M8), Pkg Qty - 10
28.	11-051018-001		Hex Head. Cap Screw (M6 x 20 mm)
29.	55-060240-009		Chain Assembly
30.	55-060212-009		Special Link Assembly

* Guide Assemblies - Includes Index Numbers 7, 8, and 20.
Index Number 19, Spacers, are now incorporated into the guides
and are no longer a separate part.

Chain Drive Assembly

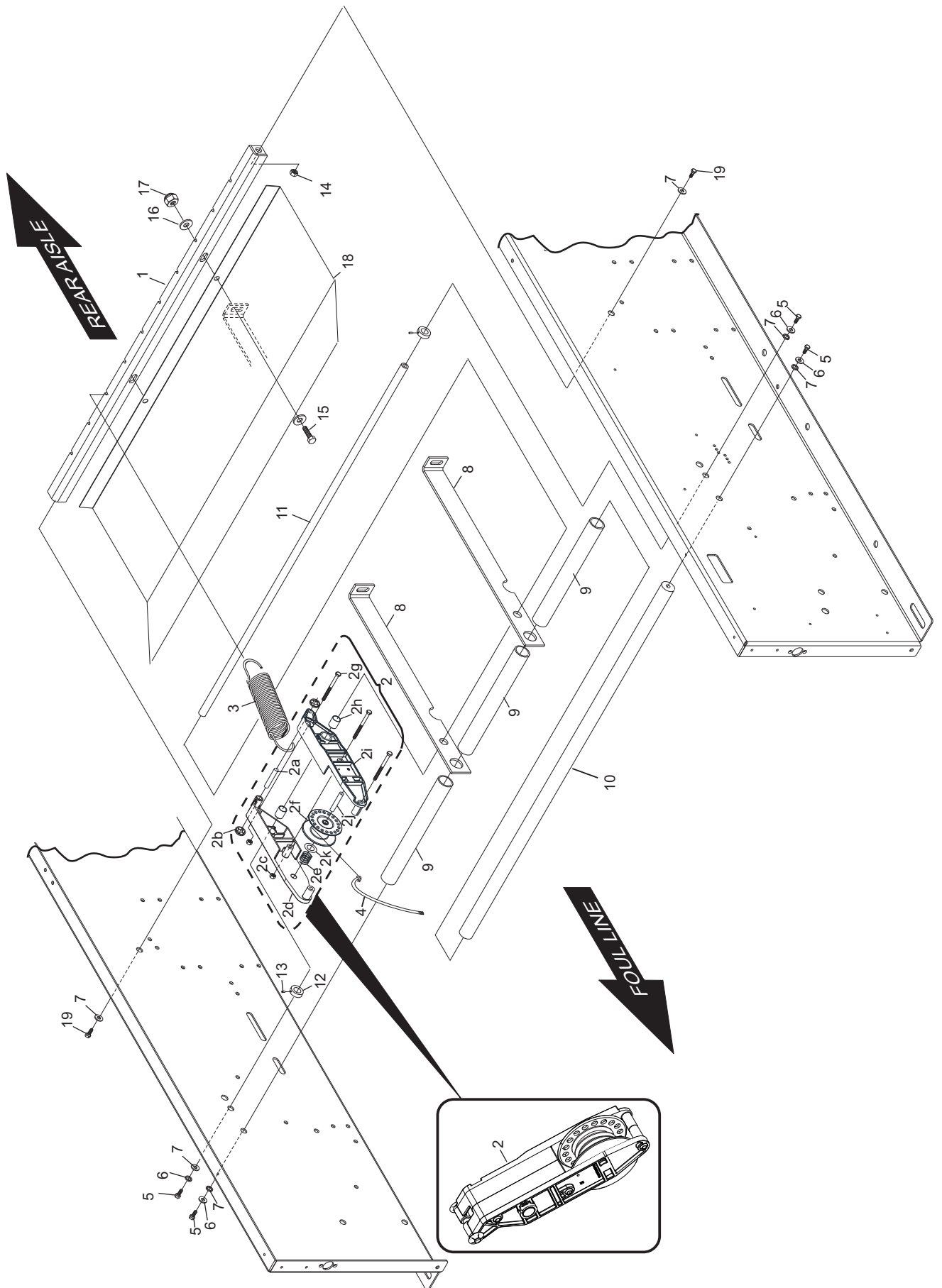


Chain Drive Assembly

Index No.	Part No.	Package / Order Reference	Description
1.	55-050658-003		"L" Profile for Spring Support
2.	55-050620-009		String Lever Reel Assembly
2a.	55-050639-004		Spring Hook
2b.	11-053478-001	47-861050-000	Speed Nut (Quicklock M8), Pkg Qty - 10
2c.	11-051743-001		Hex Lock Nut (M6)
2d.	55-050621-003		Reel Support Bracket (left-hand)
2e.	55-050634-004		Spring For Lever Reel
2f.	55-050633-003		Reel
2g.	11-051083-001		Screw (M6 x 60 mm)
2h.	55-078026-000		Bearing
2i.	55-050622-003		Reel Support Bracket (right-hand)
2j.	55-050637-004		Reel Shaft
2k.	11-052027-001		Flat Washer (17 mm x 30 mm x 3 mm)
3.	55-050712-004		Tension Spring
4.	75-110012-001	*75-110012-009	String (5 m) - black
5.	11-051005-001		Hex Head Cap Screw (M10 x 20 mm)
6.	11-051771-001		Lockwasher (M10 x 18 mm x 2.2 mm)
7.	11-052018-001		Flat Washer (M10 x 20 mm x 2 mm)
8.	55-050607-003		Support Arm
9.	55-050994-004		Rod Support Cover
10.	55-050375-004		Reel Support Rod
11.	55-058047-000		String Lever Shaft
12.	11-053616-001		Stop Collar
13.	11-053104-000	47-861023-001	Set Screw (M6 x 6 mm), Pkg Qty - 20)
14.	11-051745-001		Hex Lock Nut (M10)
15.	11-051015-001		Hex Head Cap Screw (M8 x 25 mm)
16.	11-052003-001		Flat Washer (M8 x 16 mm x 1.6 mm)
17.	11-051744-001		Hex Lock Nut (M8)
18.	55-010232-003		Pan
19.	11-051019-001		Hex Head Cap Screw (M10 x 25 mm)

* 50 Meter Roll of String

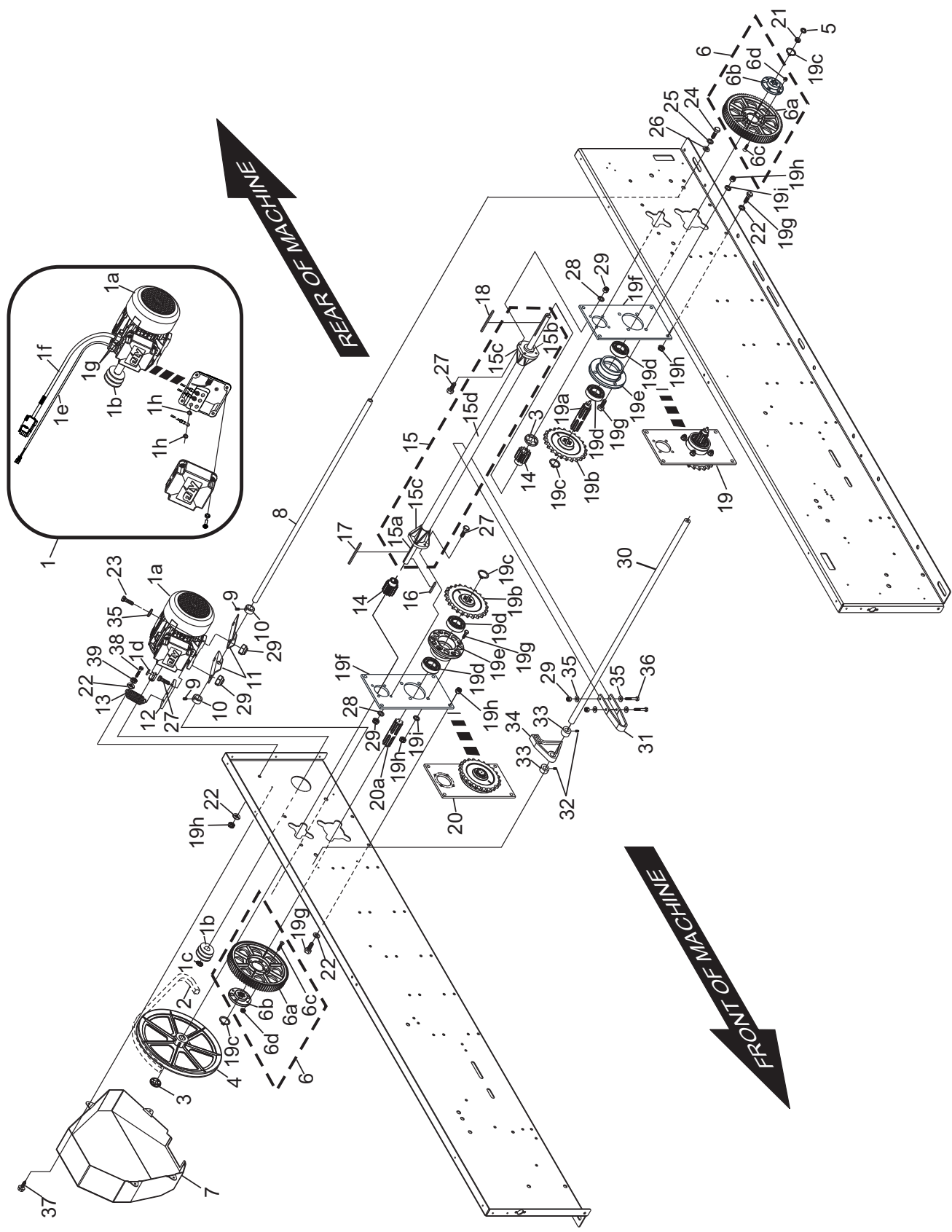
String Lever Assembly



String Lever Assembly

Index No.	Part No.	Package / Order Reference	Description
1.	55-078040-009		Motor - Complete with Pulley and Cables (380V)
	55-078039-009		Motor - Complete with Pulley and Cables (208V)
1a.	55-078036-000		Motor (380V)
1a.	55-078035-000		Motor (208V)
1b.	55-010183-004		Motor Pulley
1c.	11-051852-000		Retaining Ring - External (17 mm)
1d.	11-053505-000		Metric Key (5 mm x 5 mm x 30 mm)
1e.	55-143018-000		Assembly - Cable, Motor Overload
1g.	11-055081-000		Cable Strain Relief (M20 x 1.5 mm)
1f.	55-143011-000		Assembly- Motor Cable
1h.	99-040444-004		Washer, For Terminals (4.3 mm x 8 mm x 0.5 mm)
2.	11-053914-000		V-Belt
3.	11-053484-001		Speed Nut (17 mm)
4.	99-070162-002		Drive Pulley
5.	11-053481-000		Speed Nut (5 mm)
6.	55-020402-009		Drive Gear Assembly
6a.	55-020402-003		Drive Gear
6b.	55-020402-004		Hub
6c.	11-052936-001		Screw - Socket Flat Head Countersunk (M)
6d.	11-051743-001		Hex Nut (M6)
7.	55-018209-000		Drive Cover
8.	55-050652-004		Motor Support Rod
9.	11-053104-001	47-861023-001	Set Screw (M6 x 6 mm) (Qty. 20)
10.	11-053616-001		Stop Ring (Collar)
11.	55-010184-004		Motor Mount Bracket
12.	55-010182-004		Motor Tension Strap
13.	99-020163-004		Motor Tension Spring
14.	55-020308-004		Spur Gear
15.	55-020316-009		Drive Shaft Assembly
15a.	55-020414-003		Drive Shaft
15b.	11-430029-000		Bearing
15c.	55-020392-004		Drive Shaft Bearing Retainer
15d.	55-020415-003		Drive Shaft Protective Tube
16.	11-053505-000		Key (5 x 5 x 30 mm)
17.	11-053513-000		Key (5 x 5 x 70 mm)
18.	11-053504-000		Key (5 x 5 x 45 mm)
19.	55-020320-009		Pinion Gear Support Assembly (Right Hand)
19a.	55-020401-004		Pinion Gear (Right Hand)
19b.	55-020405-003		Chain Wheel (Sprocket)
19c.	11-051856-000	11-051856-001	Retaining Ring - External (25 mm, 23.2 mm ID, 34.2 OD)
19d.	11-430051-000		Bearing
19e.	55-020393-003		Bearing Retainer
19f.	55-020395-003		Bearing Bracket
19g.	11-051015-001		Hex Hd. Cap Screw (M8 x 25 mm)
19h.	11-051744-001		Locknut (M8)
19i.	11-051770-001		Lock Washer (M8 x 14.8 mm x 2 mm)
20.	55-020321-009		Pinion Gear Support Assembly (Left Hand)
20a.	55-020400-002		Pinion Gear (Left Hand)
21.	55-020485-004		Gear - Switch Cluster (16 tooth)
22.	11-052003-001		Flat Washer
23.	11-051018-001		Hex Hd. Cap Screw (M6 x 20 mm)
24.	11-051005-001		Hex Hd. Cap Screw (M10 x 20 mm)
25.	11-051771-001		Lock Washer (M10)
26.	11-052018-001		Flat Washer (M10)
27.	11-051028-001		Hex Hd. Cap Screw (M6 x 25 mm)
28.	11-051769-001		Lock Washer (M6)
29.	11-051743-001		Locknut (M6)
30.	55-060237-004		Cross Shaft
31.	55-018020-000		Clamp
32.	11-053101-001		Set Screw (M6 x 8 mm)
33.	11-053619-001		Stop Ring (Collar)
34.	55-068032-009		Locking Cam (Stop Dog)
35.	11-052008-001		Flat Washer (M6)
36.	11-051023-001		Hex Hd. Cap Screw (M6 x 55 mm)
37.	11-051069-001		Hex Hd. Cap Screw (M5 x 12 mm)
38.	11-051079-001		Hex Hd. Cap Screw (M8 x 50 mm)
39.	11-051704-001		Hex Nut (M8)

Frame - Drive Assembly



Frame - Drive Assembly