

Section D

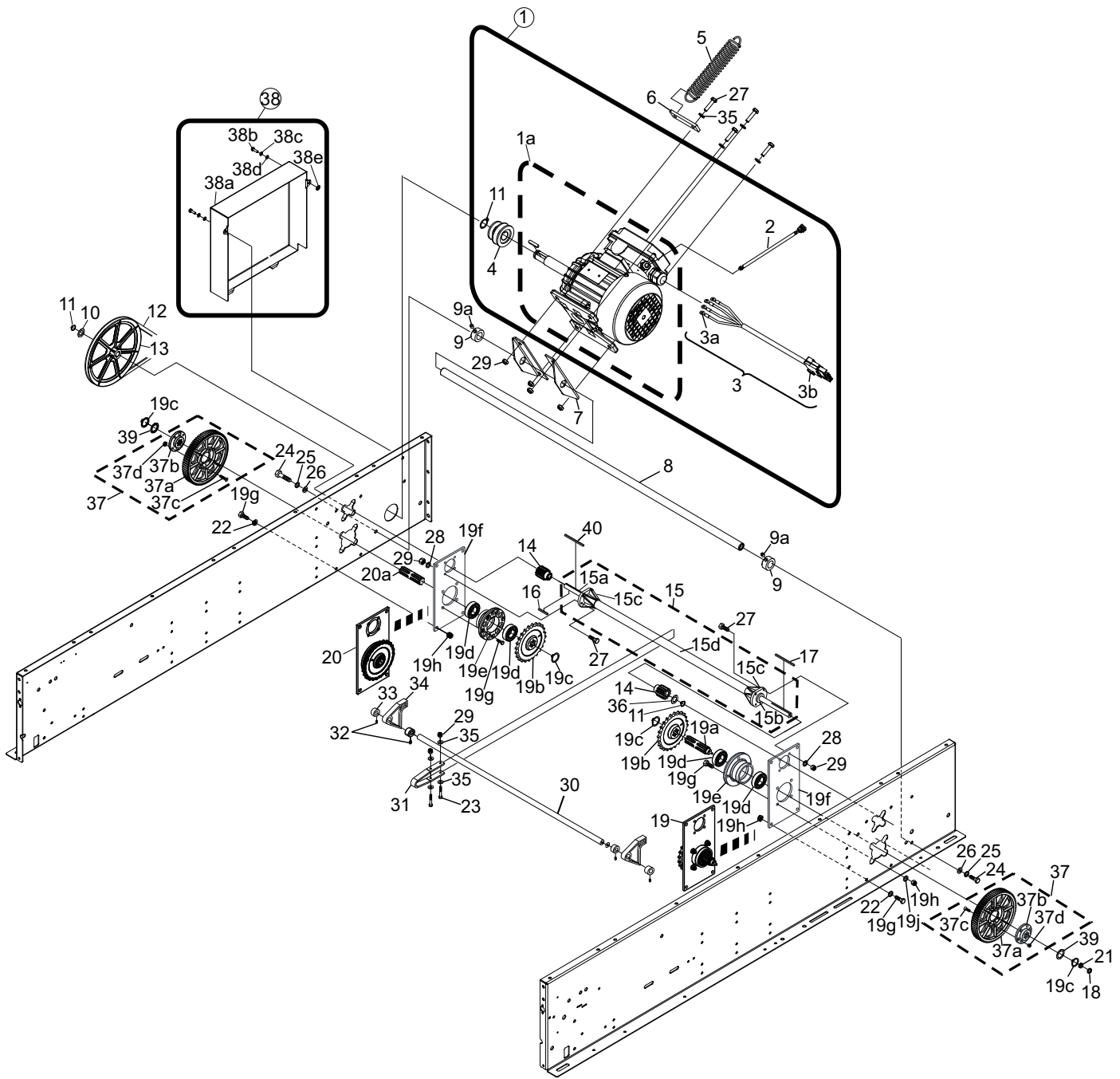
Pinsetter Main Frame

SECTION REVISION DATE

APRIL 2024

Index No.	Part No.	Package / Order Reference	Description
1.	55-079252-400		Motor - Complete with Pulley and Cables (400V)
	55-079252-230		Motor - Complete with Pulley and Cables (208V/230V)
1a.	55-079180-000		Motor (230V/400V) includes Key
2.	55-079251-400		Motor Over Load Cable Assembly
3.	55-143131-000		Assembly- Motor Cable
3a.	11-612010-000		Ring Terminal
3b.	11-696721-000		Housing
4.	55-010183-004		Motor Pulley
5.	99-020163-004		Spring
6.	55-019060-000		Spring Tension Bracket
7.	55-010184-004		Motor Mount Bracket
8.	55-050652-004		Shaft
9.	11-053616-000		Stop Ring
9a.	11-053104-000		Socket Set Screw
10.	11-054106-001		Shim Washer
11.	55-051852-000		Retaining Clip
12.	11-053916-000		Belt
13.	99-070162-002		Pulley
14.	55-020308-004		Spur Gear
15.	55-020316-009		Drive Shaft Assembly
15a.	55-020414-003		Drive Shaft
15b.	11-430029-000		Bearing
15c.	55-020392-004		Drive Shaft Bearing Retainer
15d.	55-020415-003		Drive Shaft Protective Tube
16.	11-053505-000		Key (5 x 5 x 30 mm)
17.	11-053504-000		Key (5 x 5 x 45 mm)
18.	11-053481-000		Speed Nut
19.	55-020320-009		Pinion Gear Support Assembly (Right Hand)
19a.	55-020401-004		Pinion Gear (Right Hand)
19b.	55-020405-003		Chain Wheel (Sprocket)
19c.	11-051856-001		Retaining Ring - External (25 mm, 23.2 mm ID, 34.2 OD)
19d.	11-430051-000		Bearing
19e.	55-020393-003		Bearing Retainer
19f.	55-020395-003		Bearing Bracket
19g.	11-051015-001		Hex Hd. Cap Screw (M8 x 25 mm)
19h.	11-051744-001		Locknut (M8)
19j.	11-051770-001		Lock Washer (M8 x 14.8 mm x 2 mm)
20.	55-020321-009		Pinion Gear Support Assembly (Left Hand)
20a.	55-020400-002		Pinion Gear (Left Hand)
21.	55-020485-004		Gear - Switch Cluster (16 tooth)
22.	11-052003-001		Flat Washer
23.	11-051023-001		Hex Hd. Cap Screw (M6 x 55 mm)
24.	11-051005-001		Hex Hd. Cap Screw (M10 x 20 mm)
25.	11-051771-001		Lock Washer (M10)
26.	11-052018-001		Flat Washer (M10)
27.	11-051028-001		Hex Hd. Cap Screw (M6 x 25 mm)
28.	11-051769-001		Lock Washer (M6)
29.	11-051743-001		Locknut (M6)
30.	55-060237-004		Cross Shaft
31.	55-018020-000		Clamp
32.	11-053101-001		Set Screw (M6 x 8 mm)
33.	11-053619-001		Stop Ring (Collar)
34.	55-068032-009		Locking Cam (Stop Dog)
35.	11-052008-001		Flat Washer (M6)
36.	11-054107-001		Shim Washer
37.	55-020402-009		Drive Gear Assembly
37a.	55-020402-003		Drive Gear
37b.	55-020402-004		Hub
37c.	11-052936-001		Screw - Socket Flat Head Countersunk
37d.	11-051743-001		Hex Nut (M6)
38.	55-019179-009		Drive Cover Assembly
38a.	55-019179-000		Drive Cover
38b.	11-051018-001		Hex Head Cap Screw (M6 x20 mm)
38c.	11-051769-001		Lock Washer (M6)
38d.	11-052008-001		Flat Washer (M6)
38e.	11-053426-000		Pushnut (M6)
39.	11-054109-000		Shim Washer
40.	11-053513-000		Key (5 x 5 x 70 mm)

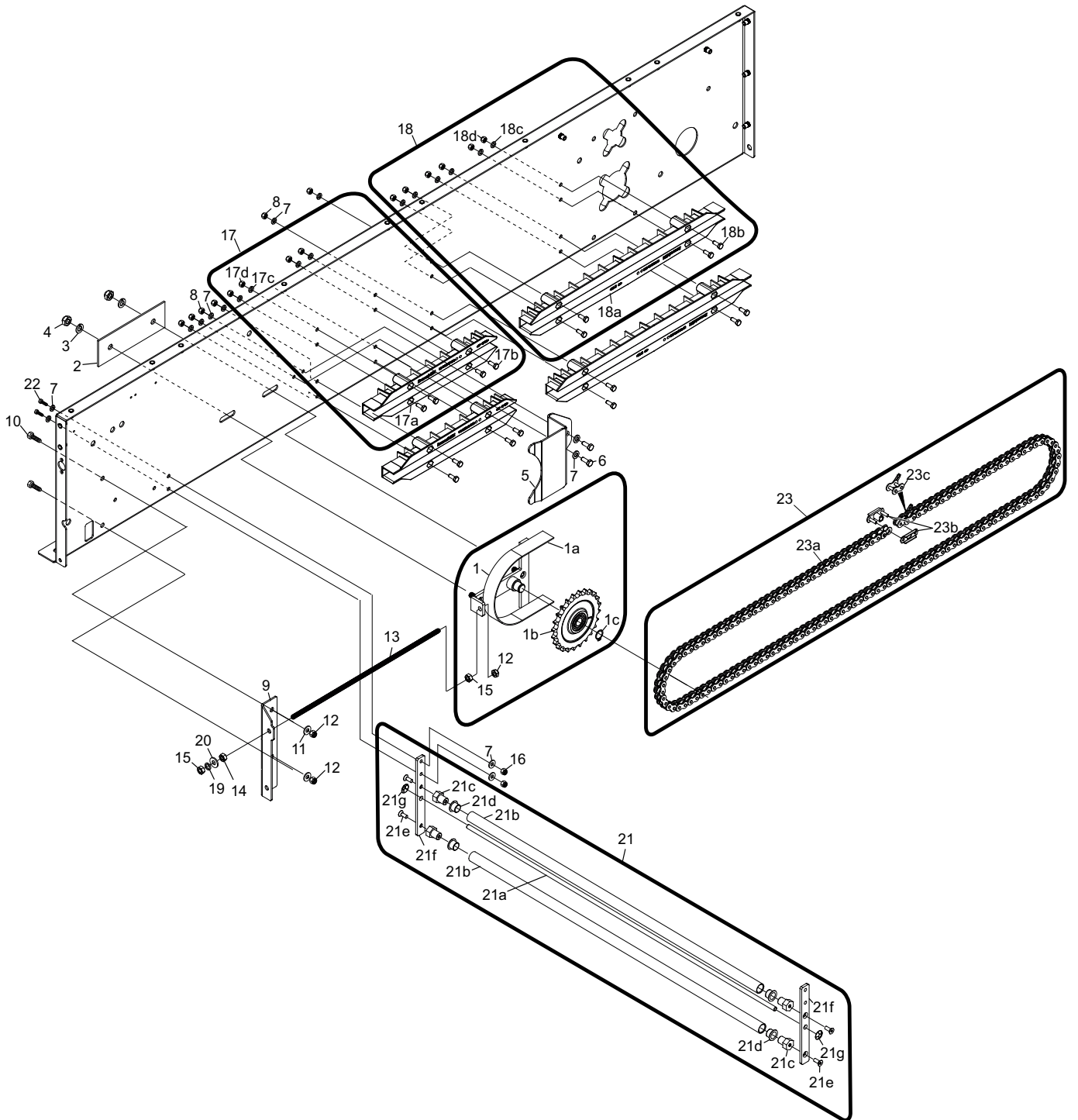
Frame - Drive Assembly



Frame - Drive Assembly

Index No.	Part No.	Package / Order Reference	Description
1.	55-069335-009		Drive Chain Guard Assembly
	1a. 55-069336-000		Drive Chain Guard
	1b. 55-060208-003		Sprocket
	1c. 11-051852-000		Retaining Ring - External (17 mm)
2.	55-060207-003		Tension Bracket
3.	11-051771-001		Lockwasher (M10)
4.	11-051745-001		Hex Lock Nut (M10)
5.	55-068011-000		Drive Chain Guard (Cover)
6.	11-051035-001		Hex Hd. Cap Screw (M6 x 16 mm)
7.	11-052008-001		Flat Washer (6.4 mm x 12 mm x 1.6mm)
8.	11-051743-001		Hex Lock Nut (M6)
9.	55-019145-00		PMI Bracket R.H.
10.	11-051010-001		Hex Head Cap Screw (M8 x 20 mm)
11.	11-052003-001		Flat Washer (8.4 mm x 16 mm x 1.6 mm)
12.	11-051744-001		Hex Lock Nut (M8)
13.	55-069128-000		Threaded Rod (M8 x 400 mm)
14.	11-051704-001		Hex Nut (M10)
15.	11-051704-001		Hex Nut (M8)
16.	11-051743-001		Hex Lock Nut (M6)
17.	55-068149-009		Short Chain Guide w/Mounting Hardware
	17a.55-068149-000		Short Chain Guide
	17b.11-051035-001		Hex Head Cap Screw (M6 x 16 mm)
	17c.11-052008-001		Flat Washer
	17d.11-051743-001		Hex Lock Nut (M6)
18.	55-068148-009		Long Chain Guide w/Mounting Hardware
	18a. 55-068148-000		Long Chain Guide
	18b.11-051035-001		Hex Head Cap Screw (M6 x 16 mm)
	18c.11-052008-001		Flat Washer
	18d.11-051743-001		Hex Lock Nut (M6)
19.	11-051770-001		Lock Washer
20.	11-052006-001		Flat Washer
21.	55-019375-009		Assembly - Guide Bracket
	21a. 55-018136-002		Rod - For Guide Bracket
	21b. 55-018135-002		Guide Rod
	21c. 55-018016-000		Shoulder Stud
	21d. 47-034842-004		Plastic Bushing
	21e.11-052936-001		Flat Sink Head Socket Screw (M6 x 16 mm)
	21f. 55-019376-000		Base Plate - Guide for Bracket
	21g.11-053478-001	47-861050-000	Speed Nut (Quicklock M8), Pkg Qty - 10
22.	11-051018-001		Hex Head. Cap Screw (M6 x 20 mm)
23.	55-060240-009		Chain Assembly w/Special Link
	23a. 55-060714-004		Chain Assembly
	23b. 55-060212-003		Special Chain Link
	23c. 11-600500-000		Master Link Spring Lock Type

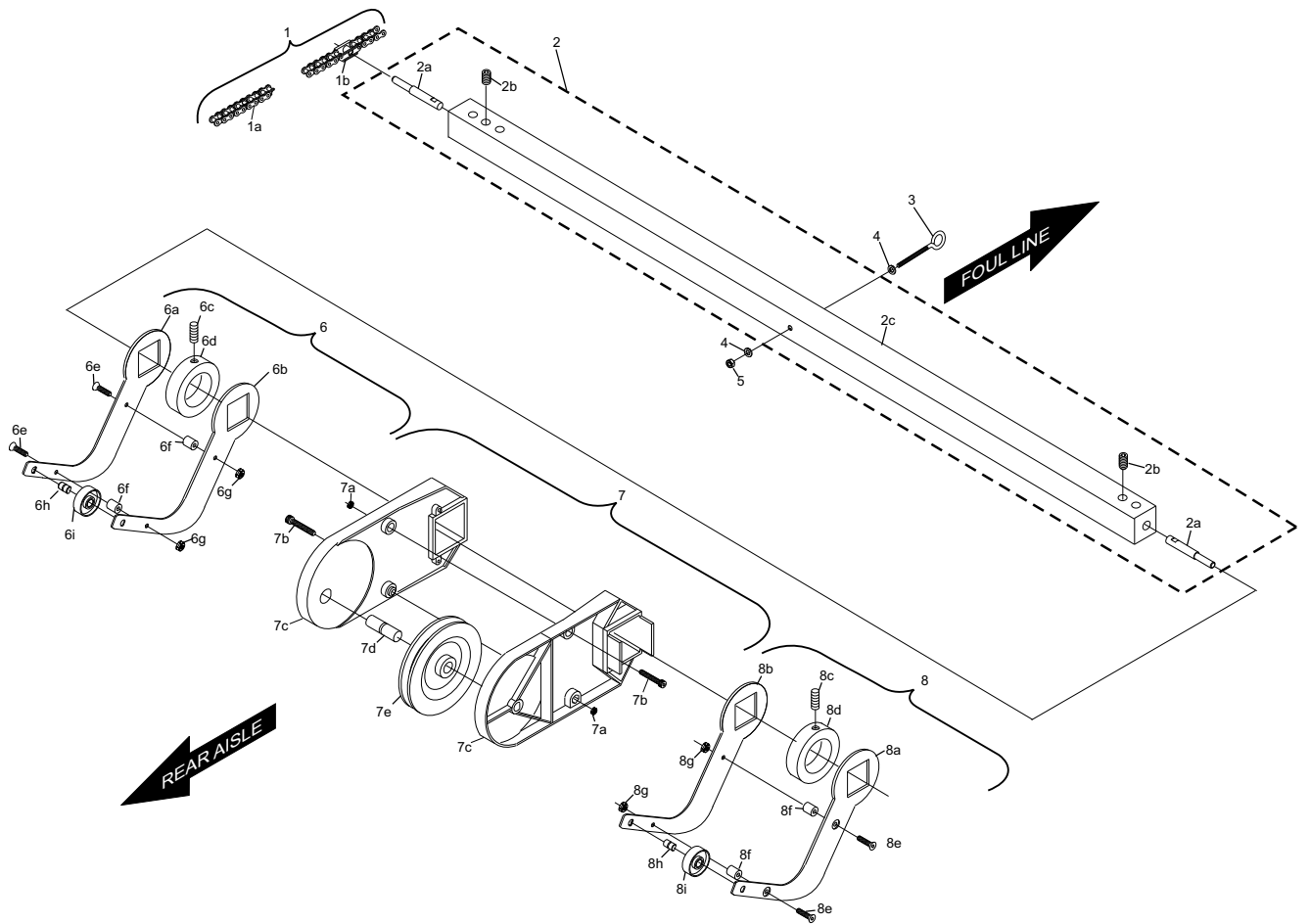
Chain Drive Assembly



Chain Drive Assembly

Index No.	Part No.	Package / Order Reference	Description
1.	55-060240-009		Chain Assembly Complete - includes index Nos 1a, and 1b.
	1a. 55-060714-004		Roller Chain
	1b. 55-060212-003		Special Link
2.	55-030201-009		Pull Shaft Assembly - includes index Nos 2a, 2b, and 2c.
	2a. 55-030193-004		Pin
	2b. 11-053101-001		Socket Set Screw (M6 x 8 mm)
	2c. 55-030235-003		Pull Shaft
3.	10-050010-001		Eye Bolt (M6 x 40 mm)
4.	11-052037-001		Flat Washer (M10)
5.	11-051743-001		Hex Locknut (M6)
6.	55-030205-009		Lever Assembly (Left Hand) - includes index Nos 6a, 6b, 6c, 6d, 6e, 6f, 6g, 6h, and 6i.
	6a. 55-030709-003		Lever (Left Hand)
	6b. 55-030197-003		Common Lever
	6c. 11-053105-001		Socket Set Screw (M6 x 16 mm)
	6d. 55-030195-004		Stop Collar
	6e. 11-052934-001		Socket Screw - Countersunk Flat Head
	6f. 47-051633-004		Spacer Bushing
	6g. 11-051743-001		Hex Locknut (M6)
	6h. 55-030199-004		Roller Axel
	6i. 55-030200-009		Roller
7.	55-030202-009		Return Lever Housing Assembly - includes index Nos. 7a, 7b, 7c, 7d, and 7e.
	7a. 11-051742-001		Hex Locknut (M5)
	7b. 11-051542-001		Socket Head Cap Screw (M5 x 25 mm)
	7c. 55-030196-003		Return Lever Housing
	7d. 55-030404-004		String Pulley Axel
	7e. 55-030408-009		String Idler Pulley
8.	55-030204-009		Lever Assembly (Right Hand) - includes index Nos. 8a, 8b, 8c, 8d, 8e, 8f, 8g, 8h, and 8i.
	8a. 55-030708-003		Lever (Right Hand)
	8b. 55-030197-003		Common Lever
	8c. 11-053105-001		Socket Set Screw (M6 x 16 mm)
	8d. 55-030195-004		Stop Collar
	8e. 11-052934-001		Socket Screw - Countersunk Flat Head
	8f. 47-051633-004		Spacer Bushing
	8g. 11-051743-001		Hex Locknut (M6)
	8h. 55-030199-004		Roller Axel
	8i. 55-030200-009		Roller

String Wagon Assembly

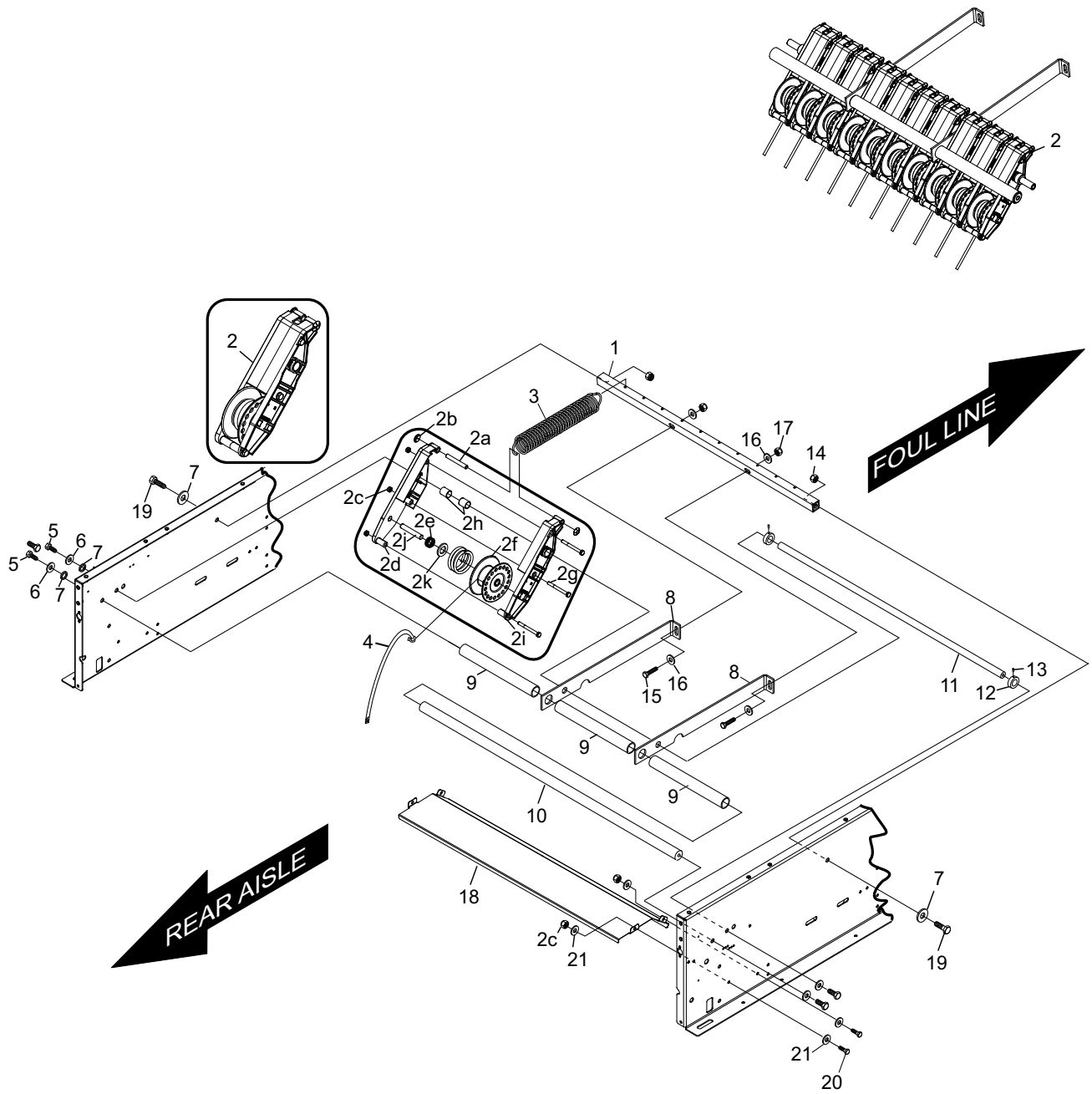


String Wagon Assembly

Index No.	Part No.	Package / Order Reference	Description
1.	55-059149-000		"L" Profile for Spring Support
2.	55-059355-009		String Lever Reel Assembly - includes index Nos. 2a, 2b, 2c, 2d, 2e, 2f, 2g, 2h, 2j, and 2k.
2a.	55-050639-004		Spring Hook
2b.	11-053478-001	47-861050-000	Speed Nut (Quicklock M8), Pkg Qty - 10
2c.	11-051743-001		Hex Lock Nut (M6)
2d.	55-050621-003		Reel Support Bracket (left-hand)
2e.	55-050634-004		Spring For Lever Reel
2f.	55-050633-003		Reel
2g.	11-051083-001		Screw (M6 x 60 mm)
2h.	55-078026-000		Bearing
2i.	55-050622-003		Reel Support Bracket (right-hand)
2j.	55-050637-004		Reel Shaft
2k.	11-052027-001		Flat Washer (17 mm x 30 mm x 3 mm)
3.	55-050712-004		Tension Spring
4.	75-110012-001	*75-110012-009	String (5 m) - black
5.	11-051005-001		Hex Head Cap Screw (M10 x 20 mm)
6.	11-051771-001		Lockwasher (M10 x 18 mm x 2.2 mm)
7.	11-052018-001		Flat Washer (M10 x 20 mm x 2 mm)
8.	55-050607-003		Support Arm
9.	55-050994-004		Rod Support Cover
10.	55-050375-004		Reel Support Rod
11.	55-058047-000		String Lever Shaft
12.	11-053616-001		Stop Collar
13.	11-053104-000	47-861023-001	Set Screw (M6 x 6 mm), Pkg Qty - 20)
14.	11-051745-001		Hex Lock Nut (M10)
15.	11-051015-001		Hex Head Cap Screw (M8 x 25 mm)
16.	11-052003-001		Flat Washer (M8 x 16 mm x 1.6 mm)
17.	11-051744-001		Hex Lock Nut (M8)
18.	55-019156-000		Pan
19.	11-051019-001		Hex Head Cap Screw (M10 x 25 mm)
20.	11-051035-001		Hex Head cap Screw (M6 x 16 mm)
21.	11-052008-001		Flat Washer
22.	55-059150-009		String Lever Assembly

** 50 Meter Roll of String*

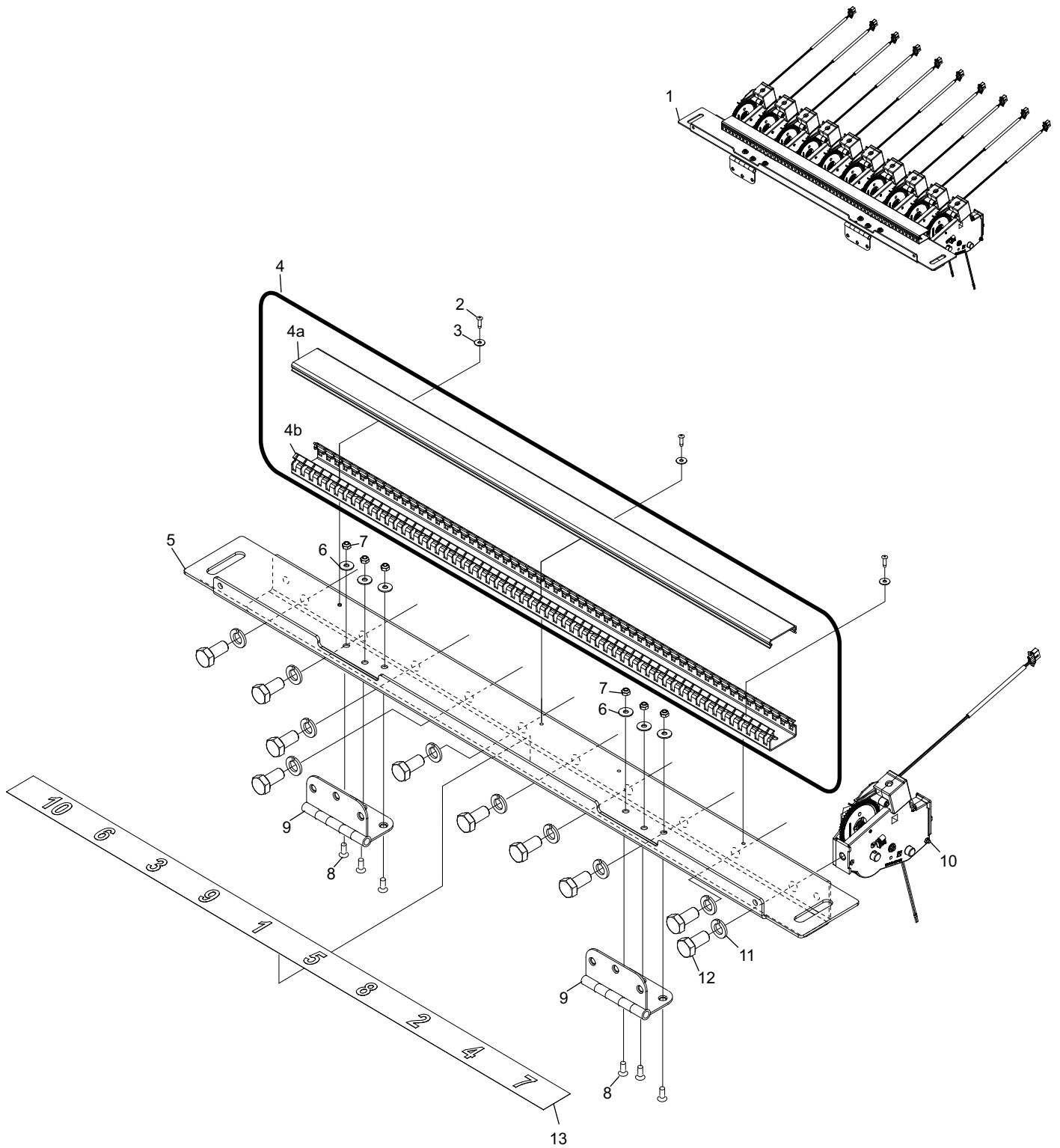
String Lever Assembly



String Lever Assembly

Index No.	Part No.	Package / Order Reference	Description
1.	55-019142-009		Assembly - PMI Unit
2.	11-054601-000		Rivet
3.	11-052062-000		Flat Washer
4.	55-019141-009		Cable Channel
	4a.55-149130-200		Channel Top
	4b.55-149130-100		Channel
5.	55-019143-000		Rear Cross Support
6.	11-052039-000		Flat Washer
7.	11-051742-001		Hex Locknut
8.	11-052947-000		Flat Head Screw
9.	11-077000-001		Hinge
10.	55-040426-009		Pin Motion Interface Assembly

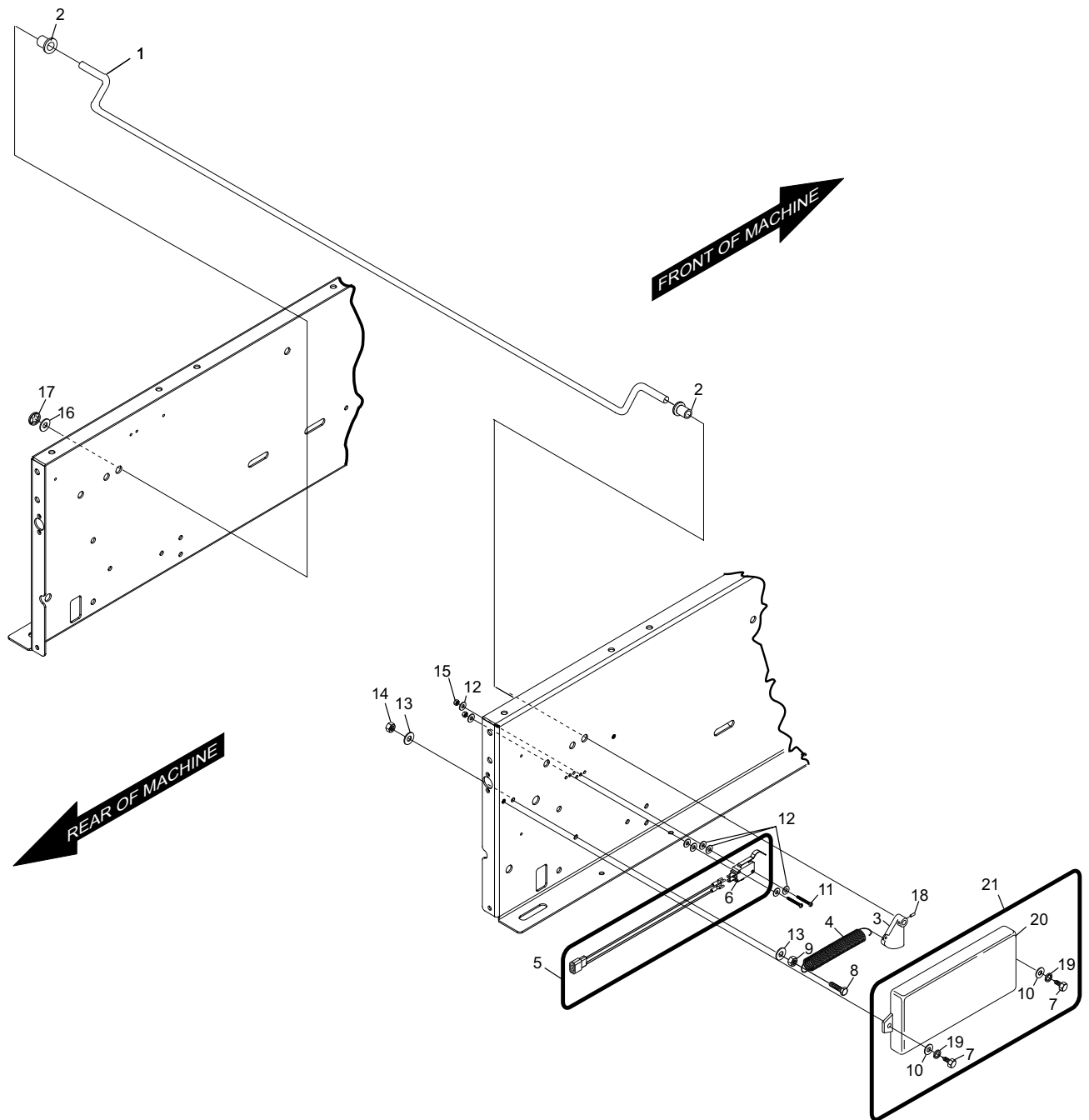
Pin Motion Interface (PMI)



Pin Motion Interface (PMI)

Index No.	Part No.	Package / Order Reference	Description
1.	55-050638-004		Pivot Rod
2.	47-075435-004		Nylon Bushing
3.	55-050613-004		Clutch Jam Cam
4.	55-050636-004		Clutch Spring
5.	55-143049-000		Jam Switch w/Cable Assembly
6.	99-050325-004		Jam Switch
7.	11-051069-001		Screw Hex Cap (M5 x 12 mm)
8.	11-051028-000		Hex Hd. Cap Screw (M6 x 25 mm)
9.	11-051702-001		Hex Nut (M6)
10.	11-052020-001		Flat Washer (5.3 mm x 12 mm x 1 mm)
11.	11-052214-001		Machine Screw (M3 x 20 mm)
12.	11-052058-000		Flat Washer (3.2 mm x 9 mm x .8 mm)
13.	11-052008-001		Flat Washer (6.4 mm x 12 mm x 1.6 mm)
14.	11-051743-001		Self Locking Hex Nut (M6)
15.	11-051746-001		Self Locking Hex Nut (M3)
16.	11-052003-001		Flat Washer (8.4 mm x 16 mm x 1.6 mm)
17.	11-053478-001	47-861050-000	Speed Nut (Quick Lock #17), Pkg. Qty. - 10
18.	11-052681-001		Spring Pin (3 mm x 16 mm)
19.	11-051768-001		Lock Washer
20.	55-069151-000		Clutch Cover (Black)
21.	55-059151-009		Clutch Cover Assembly (Black)

Pin Tangle Mechanism



Pin Tangle Mechanism