

Section D

ACCELERATOR

Index

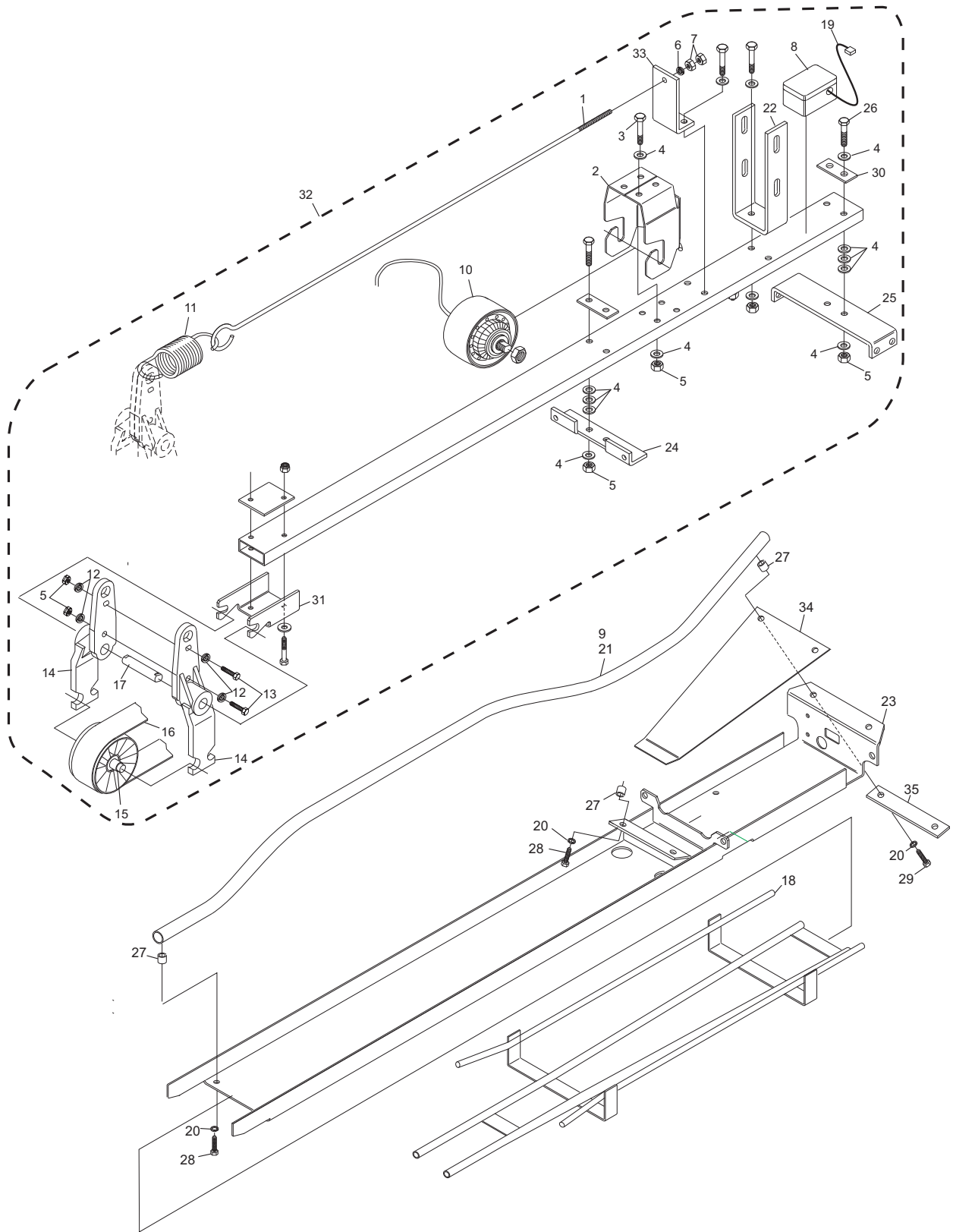
No.	Part No.	Description
1.	47-035236-003	Tension Rod
2.	47-035226-002	Motor Support Bracket
3.	11-051071-000	Hex Head Cap Screw (10 mm x 60 mm)
4.	11-052050-001	Flat Washer (10.5)
5.	11-051745-001	Locknut (10 mm)
6.	11-052019-001	Flat Washer (8.4)
7.	11-051704-001	Nut (8 mm)
8.	47-035600-004	Terminal Box w/Cable
9.	47-862787-000	Protective Cover - Pkg. of 4
10.	99-030363-004	Accelerator Motor/Rear Drive Drum Assembly w/Cable (208/230/380 VAC)
11.	47-031248-004	Tension Spring
12.	11-052018-001	Flat Washer (10.5 mm)
13.	11-051020-001	N.A. Hex Head Screw (M8 x 150 mm)
14.	47-031454-002	Pivot Lever
15.	47-035232-002	Front Driving Drum Complete - spacers not included
	*47-035234-004	Spacer - needed when replacing Driving Drum Complete (2 each)
16.	10-635127-000	Flat Belt
17.	47-035230-004	Axle
18.	53-520634-001	Metric Transition Track (GS Accelerators to Return Track)
19.	47-035600-004	Terminal Box
20.	11-051771-001	Lockwasher (10 mm)
21.	47-035303-009	S.O. Ball Rod w/Cover
22.	47-035225-003	Bracket (locking mechanism)
23.	47-035211-001	Bottom Accelerator Plate
24.	47-035229-002	Front Bracket
25.	47-035228-003	Rear Bracket
26.	11-051093-001	Mounting Screw (10 mm x 75 mm)
27.	47-035214-004	N.A. Spacer
	47-860014-000	R.O. Spacer (Qty. of 5)
28.	11-051045-001	Hex Hd. Cap Screw (10 mm x 30 mm)
29.	11-051078-001	N.A. Hex Hd. Cap Screw (10 mm x 40 mm)
30.	47-035344-004	Shim Plate
31.	47-035231-002	N.A. Holder for Roll Lever
32.	47-035601-001	S.O. Drive Frame - Complete
33.	47-035235-003	N.A. Bracket
34.	47-035351-003	Accelerator Plate
35.	47-035311-004	Stiffening Plate

N.A. = No Longer Available

S.O. = Special Order

** = Not Illustrated*

GS-X/CPO Ball Accelerator



GS-X/CPO Ball Accelerator