

Section B

TRANSPORT BAND

Index

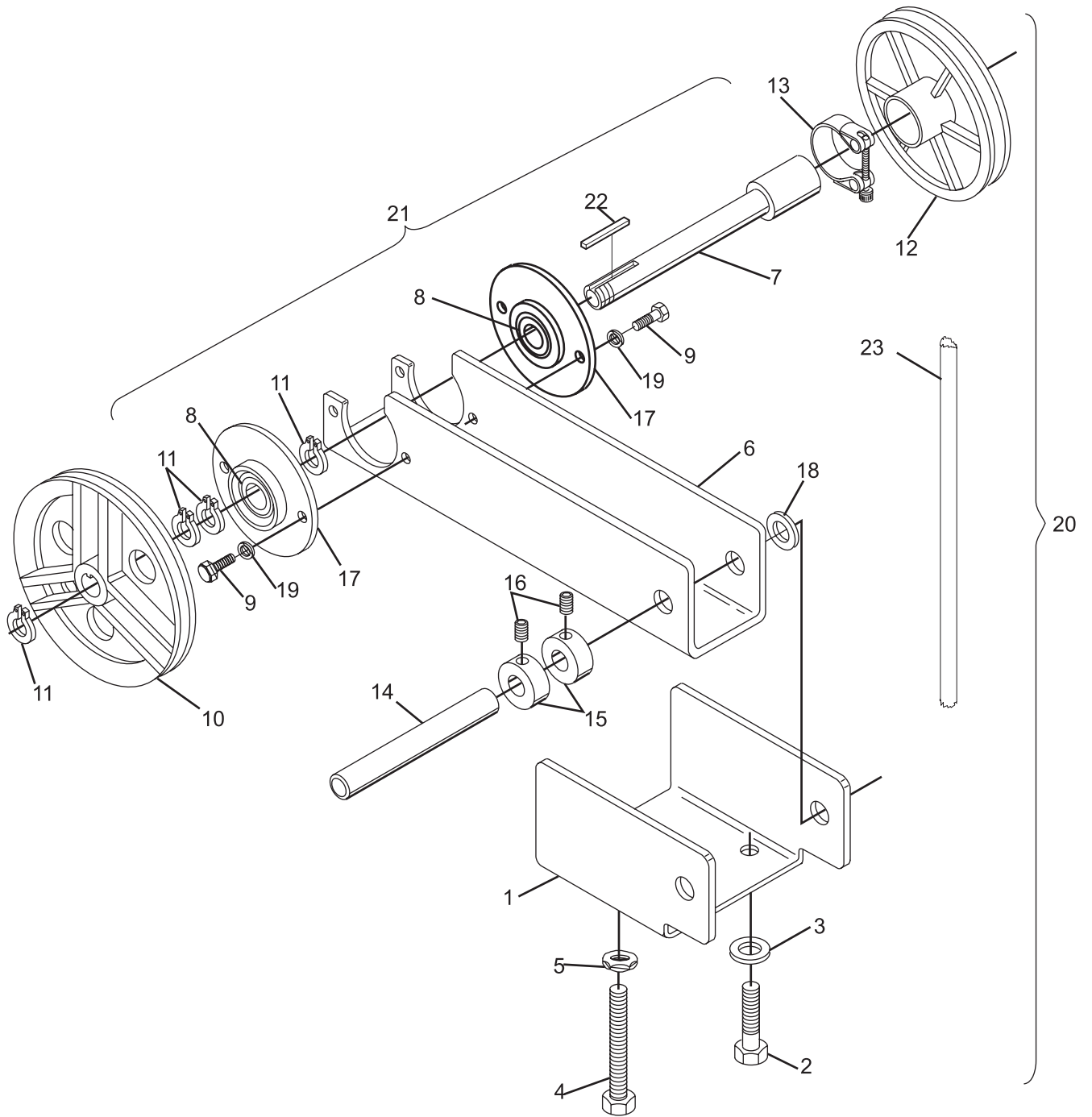
No.	Part No.	Description
1.	47-024006-003	Support Bracket
2.	11-051006-001	Hex Hd. Machine Screw (10 mm x 50 mm)
3.	11-052028-001	Flat Washer (10.5 mm)
4.	11-051046-001	Hex Hd. Machine Screw (10 mm x 80 mm)
5.	11-053153-001	Hex Jam Nut (10mm)
6.	47-023999-002	Lever
7.	47-023998-004	Shaft
8.	11-430028-000	Bearing
9.	11-054450-000	Self-Tapping Screw (6 mm x 16 mm)
10.	47-013956-003	V-Belt Pulley for 2560 or 2650 mm V-Belt
11.	11-051852-001	Retaining Ring (17mm)
12.	47-093863-003	Round Belt Pulley for 12 or 15 mm Polycord
13.	47-093874-004	Pulley Clamp
14.	47-024037-004	Shaft
15.	11-053616-001	Stop Collar (15 mm)
16.	11-052801-001	Set Screw (6 mm x 6 mm)
17.	47-094326-004	Flange
18.	11-052027-001	Flat Washer (17 mm)
19.	11-052048-001	Flat Washer (6.4 mm)
20.	47-023977-001	Transport Band Belt Tensioner Assembly - Complete (left machine)
21.	*47-274660-009	Tensioner Shaft Retrofit Kit
22.	11-053501-000	Key (5 mm x 5 mm x 25 mm)
23.	47-024838-004	Polycord Belt (15 mm dia.)
	47-024838-005	Polycord Belt (15 mm dia. x 7 m)

N.A.=No Longer Available

* Includes Index Nos. 6, 7, 8, 9, 11, 17, 19 and 22.

NOTE: For faster transport band belt/pulley operation, order 1 each:
47-025049-000 (125 mm Pulley), 11-053916-000 (125 mm V-Belt),
47-093863-003 (12/15 mm Pulley), and 47-024838-005 or 47-024838-004
(15 mm Polycord Belt)

Transport Band Belt Tensioner Assembly - Left Machine Short Pit Machines Series 43 and Above



**Transport Band Belt Tensioner Assembly - Left Machine
Short Pit Machines Series 43 and Above**