

Section B

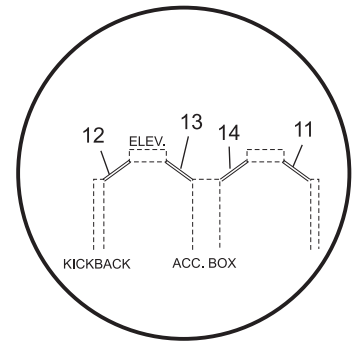
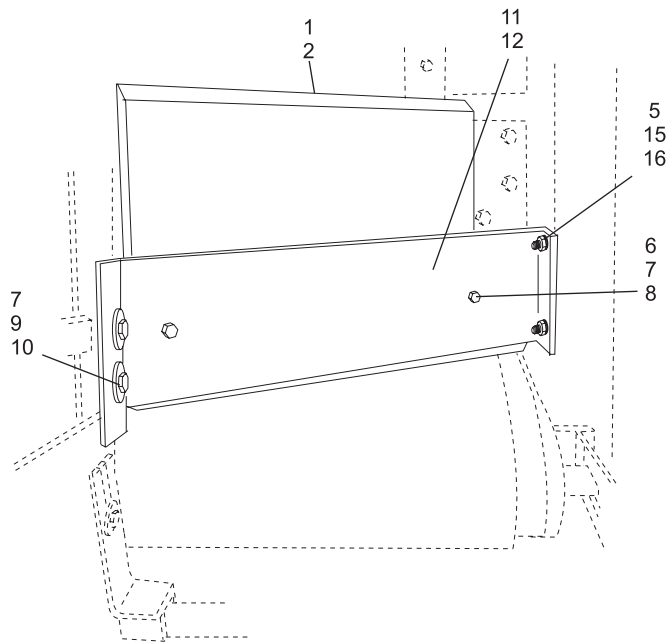
**TRANSPORT BAND**

**Index**

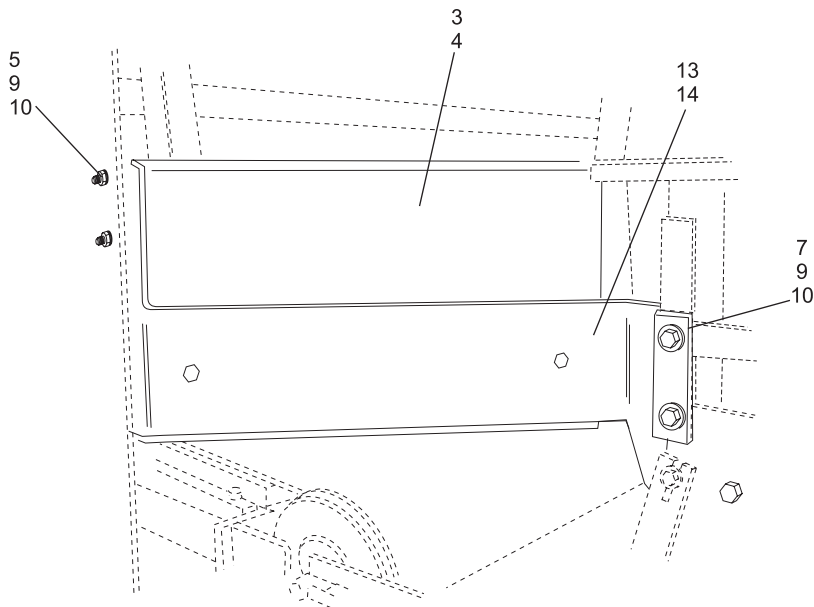
| <b>No.</b> | <b>Part No.</b> |      | <b>Description</b>               |
|------------|-----------------|------|----------------------------------|
| 1.         | 47-022291-004   | N.A. | R.H. Deflector Board             |
| 2.         | 47-021273-004   | N.A. | L.H. Deflector Board             |
| 3.         | 47-022055-003   | N.A. | R.H. Deflector Board             |
| 4.         | 47-022434-003   | N.A. | L.H. Deflector Board             |
| 5.         | 11-051744-001   |      | Locknut (8 mm)                   |
| 6.         | 11-052601-001   |      | Carriage Bolt (8 mm x 30 mm)     |
| 7.         | 11-051770-001   |      | Lockwasher (8 mm)                |
| 8.         | 11-051704-001   |      | Hex Nut (8 mm)                   |
| 9.         | 11-051010-001   |      | Hex Hd. Cap Screw (8 mm x 20 mm) |
| 10.        | 11-052019-001   |      | Flat Washer (8.4 mm)             |
| 11.        | 47-021310-002   | N.A. | Deflector Plate (7 pin side)     |
| 12.        | 47-021311-002   | N.A. | Deflector Plate (10 pin side)    |
| 13.        | 47-022290-002   | N.A. | Deflector Plate (7 pin side)     |
| 14.        | 47-022289-002   | N.A. | Deflector Plate (10 pin side)    |
| 15.        | 11-051017-001   |      | Hex Hd. Cap Screw (8 mm x 90 mm) |
| 16.        | 11-052003-001   |      | Flat Washer (8.4 mm)             |

*N.A. = No Longer Available*

**Deflector Boards and Plates (Long Pit)**



**NOTE:** THERE ARE 4 DIFFERENT DEFLECTOR PLATES. SEE ABOVE DRAWING FOR REQUIRED PLATES.



### Deflector Boards and Plates (Long Pit)