

Section B

**TRANSPORT BAND**

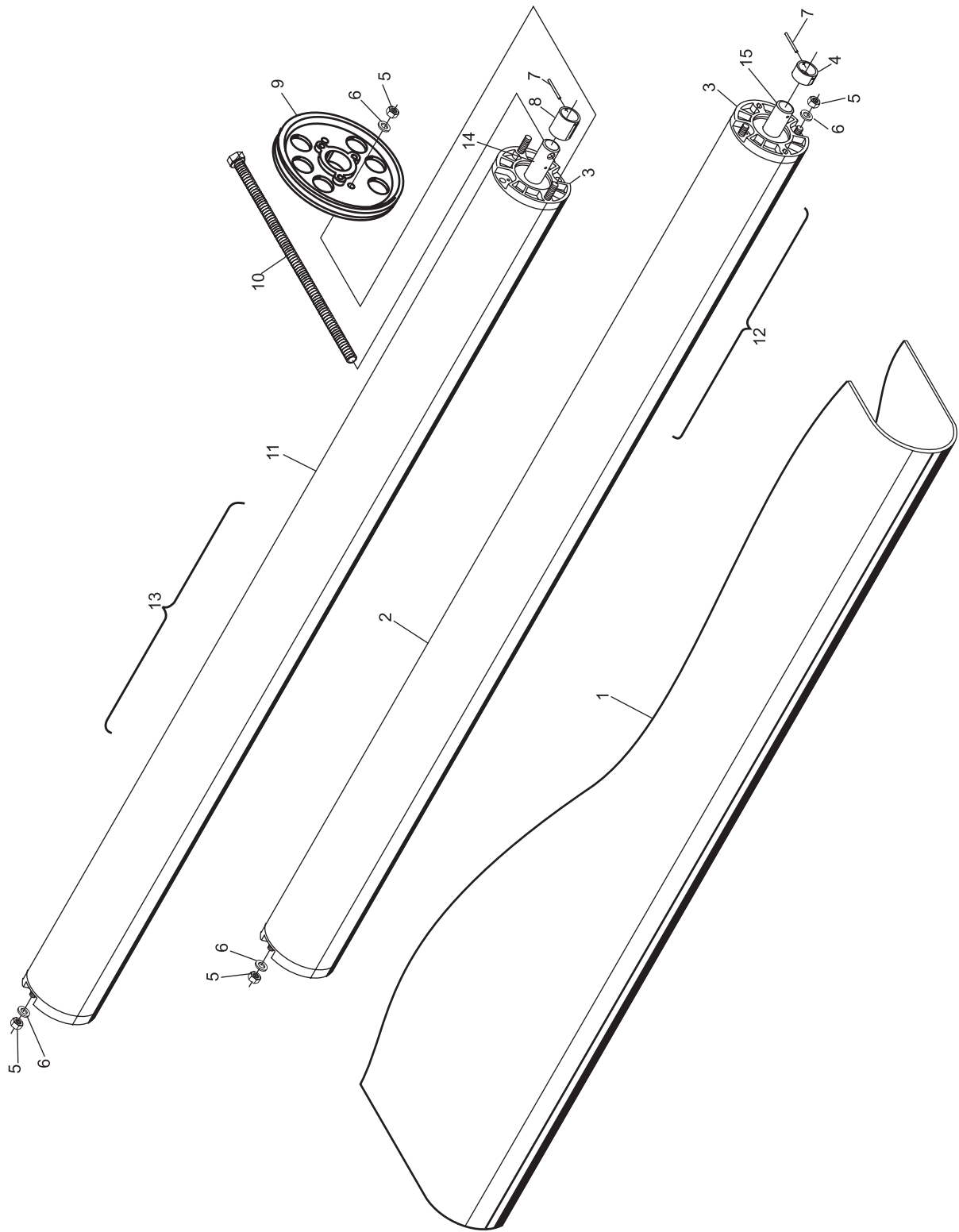
**Index**

| <b>No.</b> | <b>Part No.</b> |      | <b>Description</b>                            |
|------------|-----------------|------|---|
| 1.         | 11-053581-000   |      | Transport Band Belt (2450 mm x 1440 mm)       |
| 2.         | N.A.            |      | Roller (front)                                |
| 3.         | 47-020908-003   |      | End Cap w/Bearings 2 Stud - Rear Roller only  |
|            | 47-020908-444   | N.A. | End Cap w/Bearings 2 Stud - Front Roller only |
| 4.         | 47-021351-004   |      | Spacer Bushing                                |
| 5.         | 11-051744-001   |      | Locknut (8 mm)                                |
| 6.         | 11-052017-001   |      | Flat Washer (8.4 mm)                          |
| 7.         | 11-052682-001   |      | Rolled Pin (3 mm x 26 mm)                     |
| 8.         | 47-021350-004   |      | Spacer Bushing                                |
| 9.         | 47-022412-003   |      | Pulley  |
| 10.        | 47-020915-004   |      | Screw   |
| 11.        | N.A.            |      | Roller (rear)                                 |
| 12.        | 47-021441-002   |      | Roller Assembly Complete (front)              |
| 13.        | 47-023669-002   | S.O. | Roller Assembly Complete (rear) - long pit    |
| 14.        | 47-021352-004   |      | Shaft (rear Roller)                           |
| 15.        | 47-021353-004   |      | Shaft (front Roller)                          |

*N.A. = No Longer Available*

*S.O. = Special Order*

**Transport Band Belt (Long Pit)**



**Transport Band Belt (Long Pit)**