

Section A

ELEVATOR

Index

No.	Part No.	Description
1.	11-051010-001	Hex Hd. Machine Screw (8 mm x 20 mm)
2.	11-052003-001	Flat Washer (8.4 mm)
3.	47-014770-002	Guard
4.	11-051741-001	Nut (4 mm, GS-92)
	11-051744-001	Nut (8 mm, GS-96)
5.	11-055025-001	N.A. Screw (4 mm x 16 mm) - GS-92
	11-051038-001	Screw (8 mm x 16 mm) - GS-96
6.	47-014267-003	N.A. Mounting Angle
7.	N.A.	Mounting Plate
8.	11-051770-001	Lockwasher (8 mm)
9.	47-013953-003	Front Wooden Chain Guide
10.	11-052221-001	N.A. Slotted Machine Screw (3 mm x 40 mm)
11.	11-051704-001	Nut (8 mm)
12.	47-014917-009	Micro Switch Complete w/Mounting Plate and Guard (Consolidated and Nexgen)
	47-014918-003	Micro Switch Only - GS-98
13.	N.A.	Guard Plate
14.	11-051746-001	Nut (3 mm)
15.	11-051743-001	Hex Locknut (6 mm)
16.	47-014761-003	Centering Guide (upper)
17.	11-051018-001	Hex Hd Machine Screw (6 mm x 20 mm)
18.	11-051769-001	Lockwasher (6 mm)
19.	47-014758-001	N.A. Elevator Frame Complete - GS-92
	47-014254-000	S.O. Elevator Frame Complete - GS-96
20.	11-051038-001	Screw (8 mm x 16 mm)
21.	N.A.	Shaft
22.	47-013949-001	N.A. Metal Pulley Guard - GS-92
	47-014974-003	R.O. Plastic - Pully Guard
23.	47-014974-003	Plastic Pulley Guard - GS-96 & above
24.	11-051010-001	Hex Hd Machine Screw (8 mm x 20 mm) - GS-92
	11-051015-001	Hex Hd Machine Screw (8 mm x 25 mm) - GS-96
25.	47-014238-003	Cross Bar
26.	11-053905-000	V-Belt (1900 mm)
27.	47-014752-003	Flange
28.	47-014751-003	N.A. Bearing Plate
	47-015098-003	Plastic Bearing Flange
29.	47-014800-004	Rubber Bumper
30.	47-014239-004	Support Bar
31.	11-054450-000	Self-Tapping Screw (6 mm x 16 mm)
32.	47-014765-002	Pulley w/o Clamp
33.	47-014255-004	Shock Pad
34.	*N.A.	Damper Plate
35.	11-135400-000	Well Nut (8 mm)
36.	47-093874-004	Clamp Only
37.	11-051035-001	Hex Hd. Cap Screw (6 mm x 16 mm)
38.	**47-015068-003	Shaft Assembly Complete (GS-96 and above)
39.	11-051881-001	Truss Hd. Mach. Screw (8 mm x 30 mm)
40.	11-052037-001	Flat Washer (6.4 mm)
41.	47-245422-003	Mechanic's Remote Box w/ Cable (Nexgen Electronics)
42.	11-054452-000	N.A. Hex Hd. Machine Screw (5 mm x 10 mm)
43.	47-014687-004	Trouble Light Assembly (12V)
	47-015646-004	Trouble Light Assembly - Nexgen (24V)
44.	47-223170-000	Bulb Only - Consolidated and Silver Box Electronics (12V)
	47-223091-000	N.A. Bulb Only - Nexgen (24V)
	47-861047-000	R.O. Bulb Only (Pkg. of 2 LEDs) - (Nexgen Electronics only)
45.	11-430050-000	Bearing
46.	47-014252-004	Shovel Guide Wheel
47.	47-014924-003	Gear (Plastic)
48.	47-015643-001	S.O. Elevator (Complete)
49.	47-013954-003	N.A. Rear Wooden Chain Guide
50.	11-053508-000	Key (6 mm x 6 mm x 20 mm)
51.	47-014354-003	Elevator Z-Bracket w/o Rubber Mount
52.	11-051744-001	Nut (8 mm)
53.	47-243071-004	N.A. Mechanic's Remote Box w/ Cable (Consolidated)
	47-243071-000	R.O. Rear Control Box
54.	47-860016-000	Pin Count Switch Arm
55.	11-052928-001	Flat CTS. Head Screw (6 mm x 10 mm)
56.	11-051853-000	Retaining Ring
57.	11-051506-001	N.A. Hex Skirt Head Cap Screw (M4 x 12 mm)
58.	11-051010-001	Hex Hd Machine Screw (8 mm x 20 mm)
59.	11-052008-001	Flat Washer

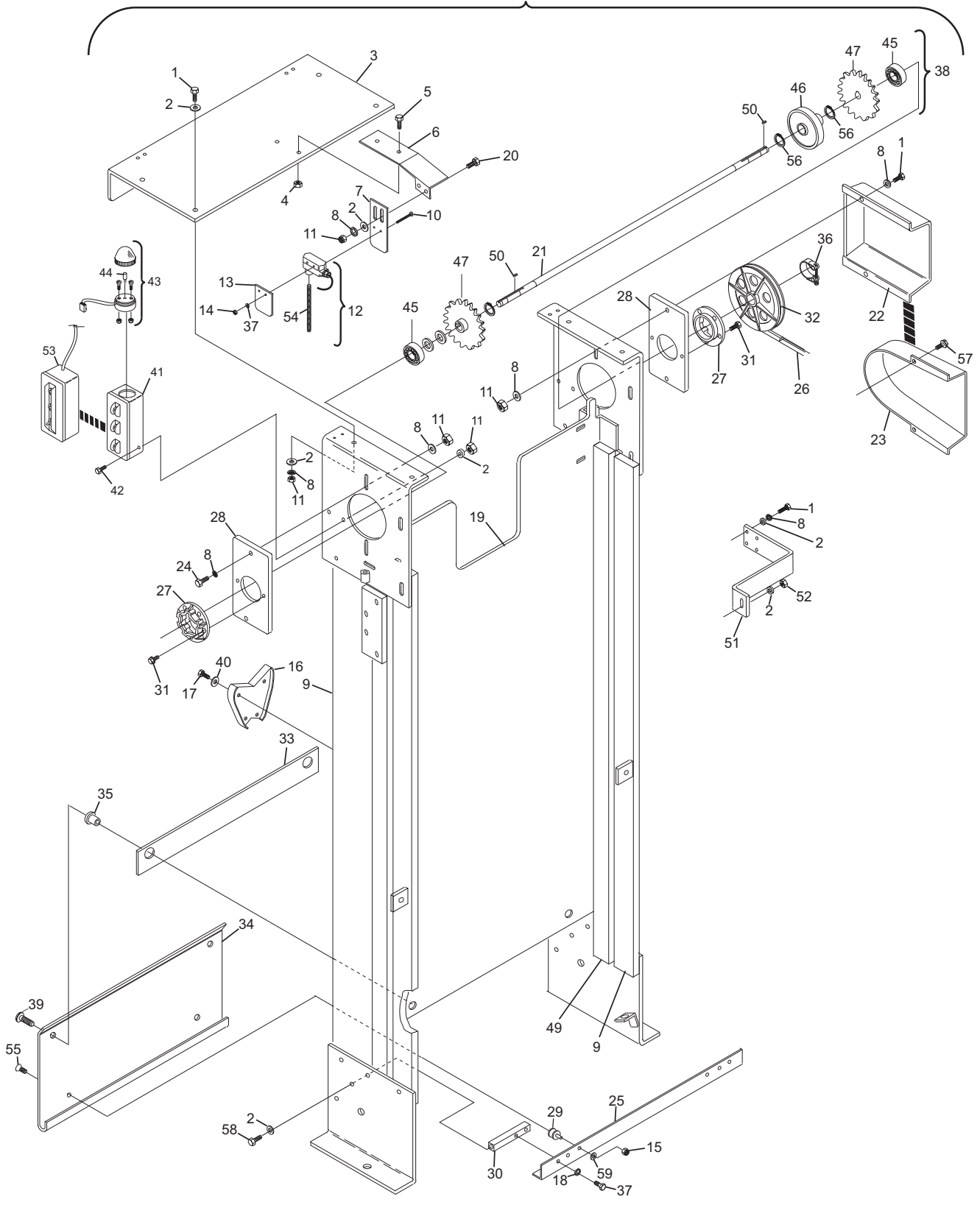
N.A. = No Longer Available
R.O. = Replacement Option
S.O. = Special Order

*To order entire Damper Plate kit, order 47-014696-009 (includes index nos. 1, 2, 18, 25, 29, 30, 33, 34, 35, 37, 39, and 40).

** Also order Plastic Bearing Flange (47-015098-003) and 2 each Wave Springs, 47-014331-004.

*** Not Illustrated

Elevator Assembly - Round Frame Hole Short Pit Machines Series 43 and Above



**Elevator Assembly - Round Frame Hole
Short Pit Machines Series 43 and Above**