

Section A

ELEVATOR

Index

No.	Part No.	Description
1.	47-013971-001	N.A. Elevator Frame Complete
2.	47-014016-003	Bearing Plate
3.	11-051010-001	Hex Hd. Machine Screw (8 mm x 20 mm)
4.	11-051770-001	Lockwasher (8 mm)
5.	11-052003-001	Flat Washer (8.4 mm)
6.	11-051704-001	Hex Nut (8 mm)
7.	11-054425-000	Set Screw (8 mm x 80 mm)
8.	N.A.	Drive Shaft
9.	47-014018-003	Shovel Guide Wheel
10.	47-013931-003	Upper Chain Sprocket
11.	47-014329-003	Flange
12.	11-054450-000	Self-Tapping Screw (6 mm x 16 mm)
13.	47-013956-003	V-Belt Pulley
14.	11-053491-000	Key (5 mm x 5 mm x 20 mm)
15.	11-051852-001	Retaining Ring (17 mm)
16.	47-014017-003	Shovel Guide
17.	11-051053-001	Hex Hd. Machine Screw (8 mm x 40 mm)
18.	11-051744-001	Locknut (8 mm)
19.	11-052006-001	Flat Washer (8.4 mm)
20.	47-013951-003	Wedge Guide
21.	47-013954-003	Rear Wooden Chain Guide
22.	11-052615-001	Carriage Bolt (8 mm x 35 mm)
23.	47-013953-003	Front Wooden Chain Guide
24.	47-013913-002	Damper Guide
25.	47-013946-002	Lower Pan Guide
26.	11-135400-000	Well Nut
27.	11-051881-001	Slotted Machine Screw (8 mm x 30 mm)
28.	47-013912-004	Slide Band
29.	11-053678-000	Rivet (8.9 mm)
30.	47-011053-004	Deflection Chain Gear w/Bearing Complete
31.	11-051772-001	Lockwasher (12 mm)
32.	11-051062-001	Hex Hd. Machine Screw (12 mm x 25 mm)
33.	47-014008-003	5/8" Chain w/Shovel Pins Complete (3556 mm long)
34.	47-011130-004	Bearing Bolt
35.	47-013532-009	Pin Shovel Complete
36.	47-011241-004	Spacer Washer (40 mm x 5.1 mm)
37.	11-051851-001	Retaining Ring (12 mm)
38.	11-052001-001	Flat Washer (12 mm)
	47-861009-001	N.A. Flat Washer (12 mm) Pkg. of 20
39.	47-011047-004	Large Nylon Track Wheel
40.	47-011049-001	Pin Shovel Only
41.	47-011048-004	Pivoting Lever
42.	47-011046-004	Small Nylon Track Wheel
43.	11-052018-001	Flat Washer (10.5 mm)
44.	11-051855-001	Retaining Ring (10 mm)
45.	47-013993-001	R.H. Rear Pin Deflector
46.	47-013994-001	L.H. Rear Pin Deflector
47.	47-013991-001	R.H. Front Pin Deflector
48.	47-013992-001	L.H. Front Pin Deflector
49.	47-014009-004	Spacer
50.	11-051075-001	Hex Hd. Machine Screw (8 mm x 70 mm)
51.	11-052031-001	Flat Washer (9 mm)
52.	47-014060-003	Ejector
53.	11-052008-001	Flat Washer (6.4 mm)
54.	11-051018-001	Hex Hd. Machine Screw (6 mm x 20 mm)
55.	11-051743-001	Locknut (6 mm)
56.	47-243027-004	Switch (silver box consolidated and nexgen)
57.	99-050234-004	Switch Plate
58.	11-052037-001	Flat Washer (6.4 mm)
59.	11-052213-001	Slotted Machine Screw

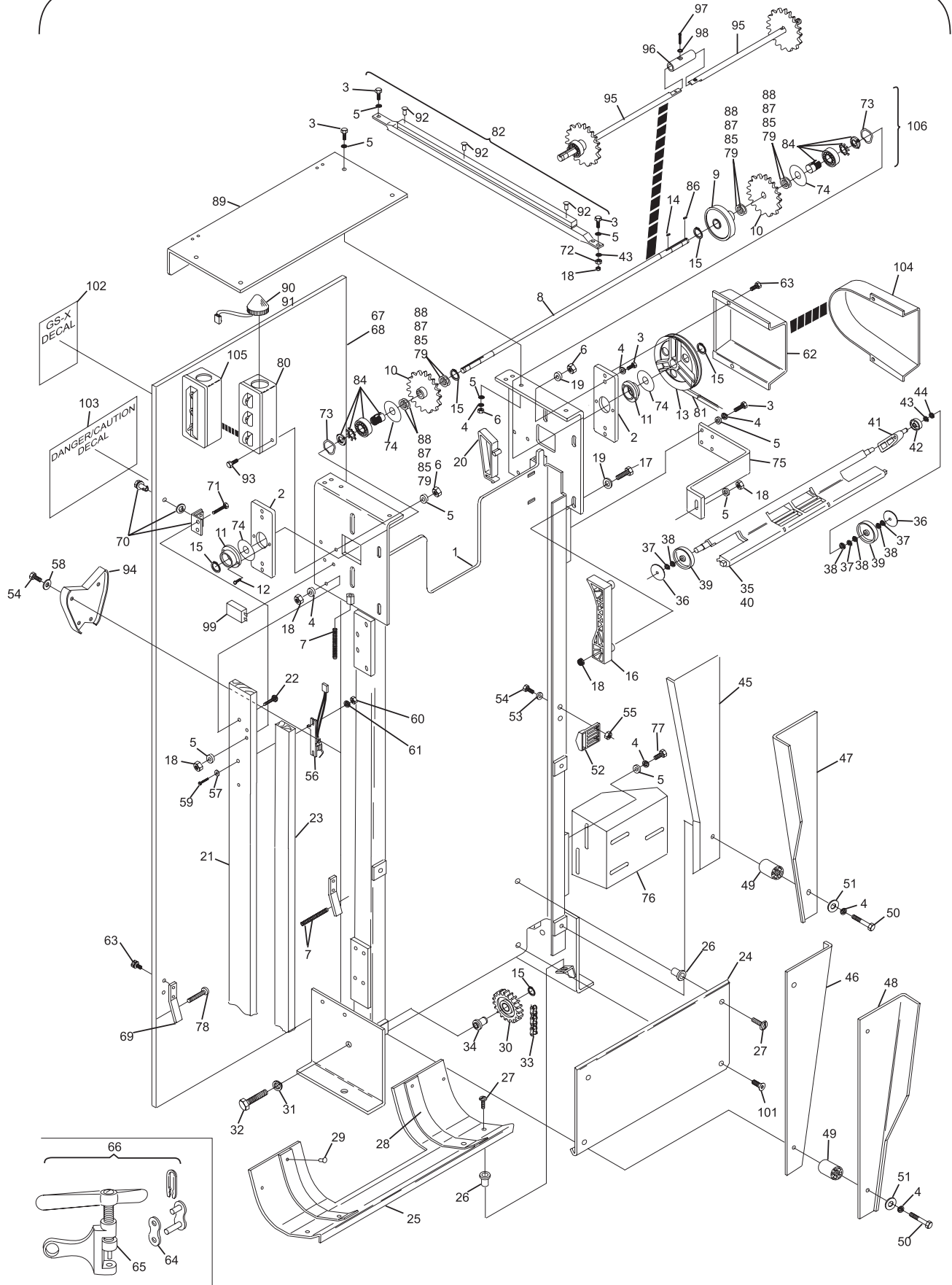
N.A. = No Longer Available
R.O. = Replacement Option

* Not Illustrated

Index

No.	Part No.	Description
60.	11-051741-001	(4 mm x 40 mm)
61.	11-052025-001	Locknut (4 mm)
62.	47-013949-001	Flat Washer (4.3 mm)
63.	11-054451-000	N.A. Pulley Guard (metal)
		Self-Tapping Screw (6 mm x 10 mm)
64.	47-013871-004	Master Link w/Long Pin
	11-600500-000	Standard Master Link
65.	47-013872-004	Chain Tool
66.	47-013873-004	Elevator Chain Repair Kit
67.	47-013983-003	N.A. Elevator Rear Guard Only
	47-013990-002	R.O. Elevator Rear Guard Complete
68.	47-013990-002	Elevator Rear Guard Assembly
69.	47-013652-004	Lower Pin Plate
70.	47-013952-004	Camloc Fastener Assembly
71.	11-051026-001	Hex Hd. Machine Screw (8 mm x 40 mm)
72.	11-051703-001	Hex Nut (10 mm)
73.	47-014331-004	Spring Shim Washer
74.	47-014327-004	N.A. Seal (Washer)
75.	47-014354-003	Elevator Z Bracket w/o Rubber Mount
76.	47-024036-002	Mounting Bracket
77.	11-051038-001	Hex Hd. Machine Screw (8 mm x 16 mm)
78.	11-051883-001	Slotted Truss Hd. Machine Screw (8 mm x 50 mm)
79.	11-052053-001	N.A. Flat Washer (17 mm)
	47-861011-007	R.O. Flat Washer (17 mm) Pkg. of 10
80.	47-245422-003	Mechanic's Remote Box w/Cable (Nexgen Electronics)
81.	11-053905-000	V-Belt (1900 mm)
82.	47-084015-003	Cable Channel Support Assembly
83.	N.A.	Elevator Assembly Complete
84.	11-050150-000	Cone Bearing Assembly
85.	11-054105-001	N.A. Shim Washer (18 mm x 30 mm x 1.5 mm)
86.	11-053501-000	Key
87.	11-052057-001	Flat Washer (18 mm)
88.	11-054106-001	N.A. Shim Washer (18 mm)
	47-861031-001	R.O. Shim Washer (18 mm) Pkg. of 10
89.	47-014770-002	Guard (GS-10/GS-92)
90.	47-014687-004	Trouble Light Assembly w/o Bracket (12V)
91.	*47-223170-000	Bulb Only (12V)
92.	11-053660-000	N.A. Rivet (3.2 mm x 7.4 mm)
	47-861025-000	R.O. Rivet (3.2 mm x 7.4 mm) Pkg. of 20
93.	11-054452-000	N.A. Hex Hd. Machine Screw (5 mm x 10 mm)
94.	47-014761-003	Centering Guides
95.	47-014756-003	N.A. Split Shaft Assembly
	47-015068-003	R.O. Split Shaft Assembly Complete
96.	N.A.	Split Shaft Coupler
97.	11-051526-001	Screw (6 mm x 30 mm)
98.	11-051769-001	Lockwasher (6 mm)
99.	47-225160-004	N.A. Frame Counter
	47-225160-009	R.O. Frame Counter w/Cable
100.	*47-862803-000	N.A. Chain Lube (spray can) -
	*G34-205116-000	R.O. Pinsetter Chain Lube (12 oz. can)
101.	11-052928-001	Flat Hd. Socket Screw (M6 x 10 mm)
102.	47-085081-004	GS-X Label
103.	47-085579-003	Danger/Warning Label
104.	47-014974-003	Pulley Guard GS-96 and Above Plastic
105.	47-243071-004	N.A. Mechanic's Remote Box w/ Cable (Consolidated)
	47-243071-000	R.O. Rear Control Box
106.	47-014766-009	Elevator Shaft Kit (square frame hole, two pieces)
107.	47-0135533-009	Pivoting Lever Assembly

Elevator Assembly - Square Frame Hole Short Pit Machines Series 43 and Above



**Elevator Assembly - Square Frame Hole
Short Pit Machines Series 43 and Above**