

Section A

ELEVATOR

Index

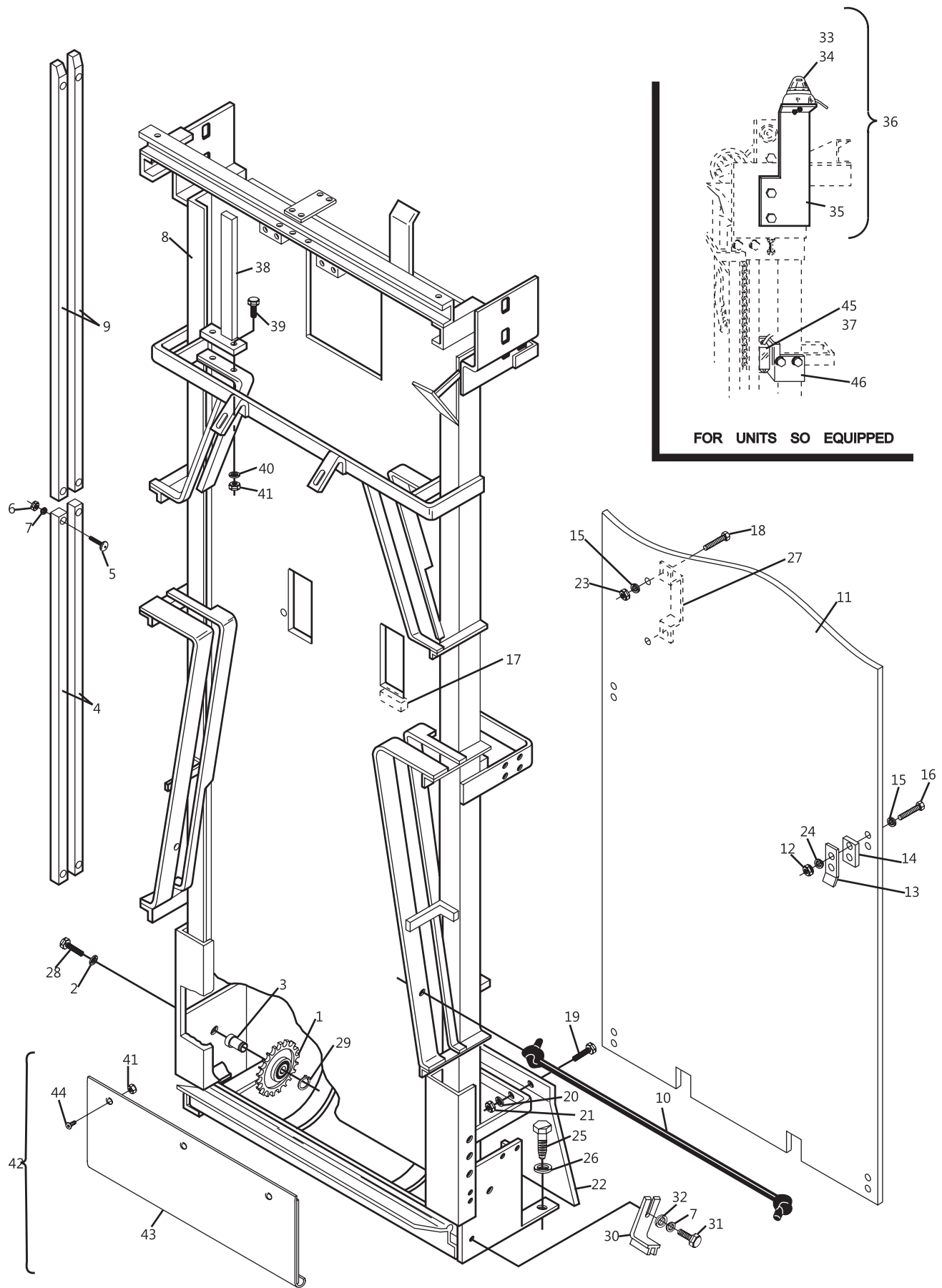
No.	Part No.	Description
1.	47-011053-004	Deflection Chain Gear w/Bearing Complete
2.	11-051772-001	Lockwasher (12 mm)
3.	47-011130-004	Bearing Bolt
4.	47-011245-003	Lower Chain Guide
5.	11-052601-001	Carriage Bolt (8 mm x 30 mm)
6.	11-051704-001	Hex Nut (8 mm)
7.	11-051770-001	Lockwasher (8 mm)
8.	47-011135-000	N.A. Elevator Frame w/Felt Backing
9.	47-011276-003	Upper Chain Guide
10.	11-053583-000	Rubber Cord (1.1 m)
11.	47-011775-003	Elevator Guard Complete
12.	11-051742-001	Locknut (5 mm)
13.	47-013651-003	N.A. Holding Bracket
14.	N.A.	Spacer
15.	11-052054-001	N.A. Flat Washer (5.3 mm)
	47-861012-001	R.O. Flat Washer (5.3 mm) (Pkg. of 20)
16.	11-051004-001	N.A. Hex Hd. Cap Screw (5 mm x 25 mm)
	47-861001-001	R.O. Hex Hd. Cap Screw (5 mm x 25 mm) Pkg. of 10
17.	47-011134-004	N.A. Rubber Stop
18.	11-051003-001	N.A. Hex Hd. Cap Screw (5 mm x 16 mm)
19.	11-051035-001	Hex Hd. Cap Screw (6 mm x 16 mm)
20.	11-051769-001	Lockwasher (6 mm)
21.	11-051702-001	Hex Nut (6 mm)
22.	47-011518-003	Elevator Foot Guard
23.	11-051701-001	Hex Nut (5 mm)
24.	11-051768-001	Lockwasher (5 mm)
25.	11-053302-001	Wood Lag Screw (10 mm x 40 mm)
26.	11-052028-001	Flat Washer (10.5 mm)
27.	47-013636-004	N.A. Handle
28.	11-051062-001	Hex Hd. Cap Screw (12 mm x 25 mm)
29.	11-051852-001	Retaining Ring (17 mm)
30.	47-021520-004	Transport Band Hold Down Clamp
31.	11-051010-001	Hex Hd. Cap Screw (8 mm x 20 mm)
32.	11-052019-001	Flat Washer (8.4 mm)
33.	*47-223170-000	Bulb Only (12V)
34.	*47-014687-004	Trouble Light Assembly w/o Bracket (12V)
35.	47-012303-004	Trouble Light Bracket
36.	47-013817-004	Trouble Light w/Bracket (12V)
37.	47-243026-004	Switch (silver box, consolidated and nexgen)
38.	47-012149-003	Shovel Alignment Bracket
39.	11-051015-001	Hex Hd. Cap Screw (8 mm x 25 mm)
40.	11-052006-001	Flat Washer (8.4 mm)
41.	N.A.	Locknut (8 mm)
42.	47-014200-004	Elevator Repair Kit
43.	N.A.	Repair Kit Plate
44.	N.A.	Socket Hd. Screw (8 mm x 16 mm)
45.	99-050229-004	Switch (Red Box only)
46.	47-011239-004	Switch Bracket

N.A. = No Longer Available

R.O. = Replacement Option

* Not Illustrated

Elevator Frame Assembly



FOR UNITS SO EQUIPPED

Elevator Frame Assembly

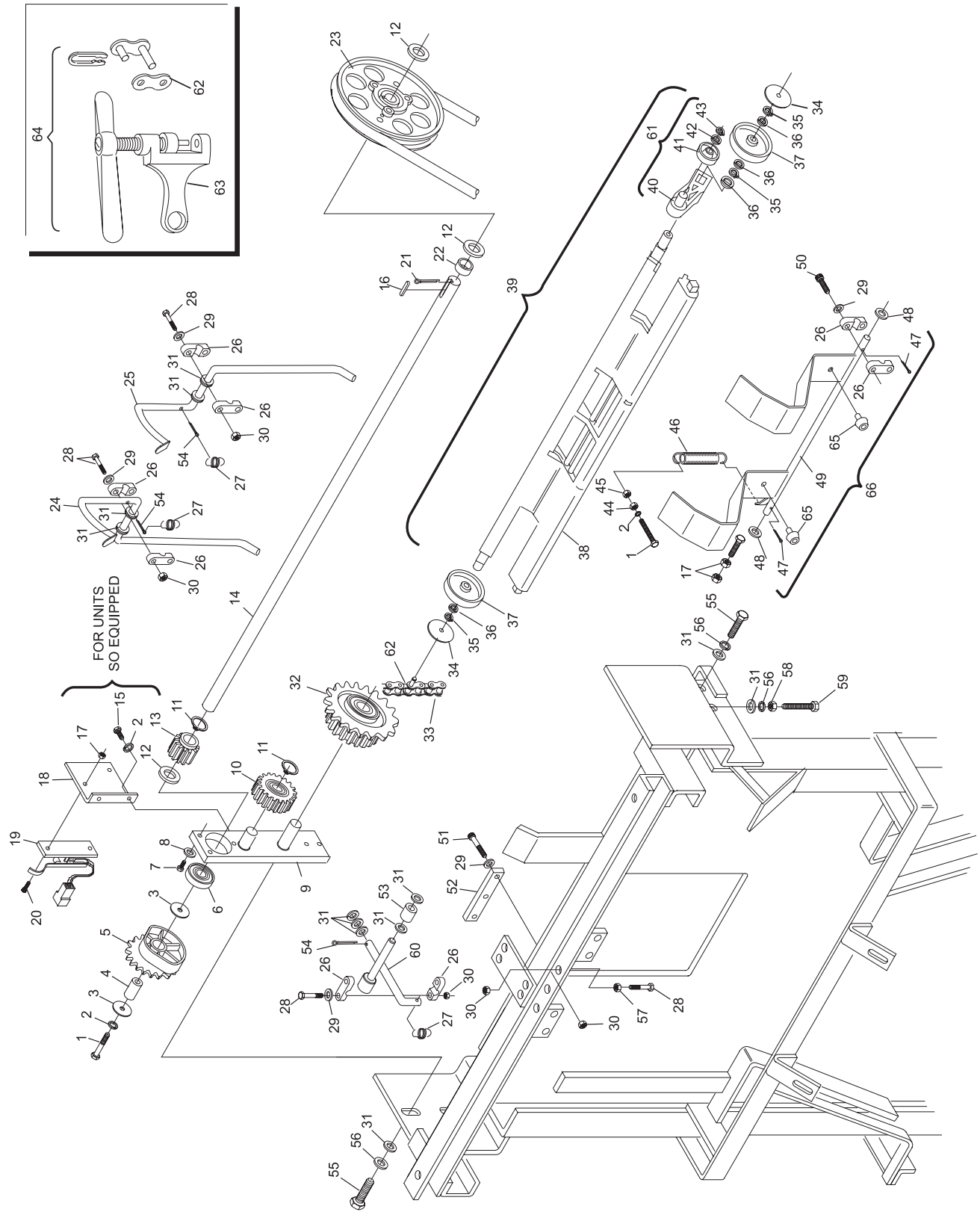
Index No.	Part No.	Description	Index No.	Part No.	Description
1.	11-051007-001	Hex Hd. Cap Screw (6 mm x 40 mm)	33.	47-013788-004	5/8" Chain w/Shovel Pins Complete (4318 mm Long)
2.	11-051769-001	Lockwasher (6 mm)	34.	47-011241-004	Spacer Washer (40 mm x 5.1 mm)
3.	11-052010-001	Flat Washer (6 mm x 25 mm x 1.8 mm)	35.	11-051851-001	Retaining Ring Ext. (12 mm)
4.	47-011240-004	Spacer	36.	11-052001-001	N.A. Flat Washer (12 mm)
5.	47-010698-003	Toothed Wheel w/Cam		47-861009-001	R.O. Flat Washer (12 mm) Pkg. of 20
6.	11-430007-000	Ball Bearing for Bearing Plate (6203ZZ)	37.	47-011047-004	Nylon Track Wheel (large)
7.	11-051001-001	Hex Hd. Cap Screw (6 mm x 12 mm)	38.	47-011049-001	Pin Shovel Only
8.	11-052022-001	Flat Washer (6.4 mm)	39.	47-013532-000	N.A. Pin Shovel Complete
9.	47-011125-003	Bearing Plate Complete		47-013532-009	R.O. Pin Shovel Assembly
10.	47-011050-004	Carrier Wheel w/Bearing Complete		47-013532-009	Pin Shovel Complete
11.	11-051852-001	Retaining Ring (17 mm)	40.	47-011048-004	Pivoting Lever
12.	11-052053-001	N.A. Flat Washer (17 mm)	41.	N.A.	Nylon Track Wheel (small)
	47-861011-001	R.O. Flat Washer (17 mm) Pkg. of 10	42.	N.A.	Flat Washer (10.5 mm)
13.	47-011045-004	Drive Gear	43.	N.A.	Retaining Ring (10 mm)
14.	47-011127-003	Drive Spindle	44.	N.A.	Locknut (6 mm)
15.	11-051008-001	Hex Hd. Cap Screw (6 mm x 10 mm)	45.	11-051702-001	Hex Nut (6 mm)
16.	11-053501-000	Key (5 mm x 5 mm x 25 mm)	46.	46-050255-004	Spring
17.	11-051741-001	Locknut (4 mm)	47.	11-051795-001	Split Pin (1.6 mm x 16 mm)
18.	47-011239-004	Switch Mounting Plate	48.	11-052006-001	Flat Washer (8.4 mm)
19.	99-050229-004	Switch Complete (Red Box only)	49.	47-011133-003	Ejecting Flap
20.	11-052201-001	N.A. Slt'd. Machine Screw (4 mm x 10 mm)	50.	11-051542-001	N.A. Socket Hd. Cap Screw (5 mm x 25 mm)
21.	11-054301-001	N.A. Hitch Pin (3 mm x 62 mm)	51.	11-051522-001	Socket Hd. Cap Screw (5 mm x 16 mm)
	47-861032-001	R.O. Hitch Pin (3 mm x 62 mm) Pkg. of 10	52.	47-010061-004	N.A. Rubber Plate
22.	47-011524-004	N.A. Spacer	53.	47-010059-004	N.A. Nylon Bumper
23.	47-012411-003	Grooved Pulley	54.	11-051793-001	Split Pin (2 mm x 16 mm)
24.	47-011145-002	R.H. Pin Turn Lever	55.	11-051015-001	Hex Hd. Cap Screw (8 mm x 25 mm)
25.	47-011146-002	L.H. Pin Turn Lever	56.	11-051770-001	Lockwasher (8 mm)
26.	46-030120-004	N.A. PVC Bearing	57.	11-051701-001	Hex Nut (5 mm)
27.	47-011147-004	Tension Spring	58.	11-051704-001	Hex Nut (8 mm)
28.	11-051002-001	Hex Hd. Cap Screw (5 mm x 30mm)	59.	11-051011-001	Hex Hd. Cap Screw (8 mm x 50 mm)
29.	11-052005-001	Flat Washer (5.3 mm)	60.	47-010053-003	Cross Lever
30.	11-051742-001	Locknut (5 mm)	61.	47-013533-009	Pivoting Lever Assembly
31.	11-052003-001	Flat Washer (8.4 mm)	62.	47-013871-004	Master Link w/Long Pin
32.	47-011044-003	Chain Gear w/Toothed Wheel and Bearing Complete		11-600500-000	Standard Master Link
			63.	47-013872-004	Chain Break Tool
			64.	47-013873-004	Elevator Chain Repair Kit (includes 10 pins)
			65.	11-053577-000	Rubber Bumper
			66.	*47-273835-009	Ejector Flap Rebuild Kit

N.A. = No Longer Available

R.O. = Replacement Option

* Includes Index Nos. 1, 2, 17, 26, 29, 44, 45, 46, 47, 48 & 50

Elevator Drive/Lift Assembly



Elevator Drive/Lift Assembly

Index

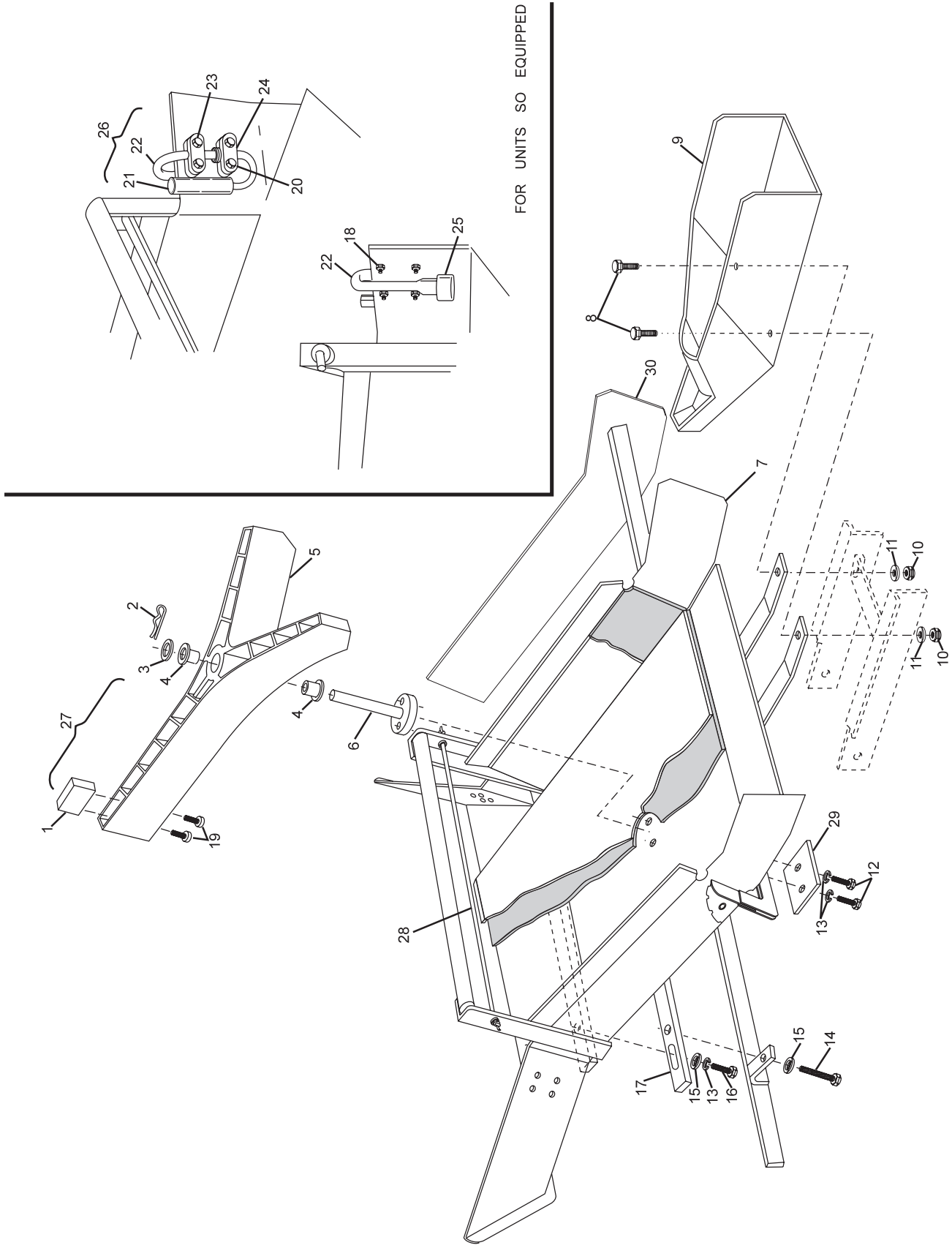
No.	Part No.	Description
1.	47-012272-004	N.A. Counter Weight
2.	11-054301-001	N.A. Hitch Pin (3 mm x 60 mm)
	47-861032-001	R.O. Hitch Pin (3 mm x 60 mm) Pkg. of 10
3.	11-052024-001	N.A. Flat Washer (14 mm)
	47-861010-001	R.O. Flat Washer (14 mm) Pkg. of 10
4.	47-012273-004	N.A. Bushing
5.	47-012215-001	N.A. "Y" Switch
6.	47-012596-000	N.A. Flipper Shaft
7.	47-012628-000	N.A. Dual Feed Pin Chute w/o "Y" Switch & Deflector Shoe (nose block)
8.	11-051015-001	Hex Hd. Cap Screw (8 mm x 25 mm)
9.	47-012263-001	Deflector Shoe
10.	11-051744-001	Locknut (8 mm)
11.	11-052003-001	Flat Washer (8.4 mm)
12.	11-051019-001	Hex Hd. Cap Screw (10 mm x 25 mm)
13.	11-051771-001	Lockwasher (10 mm)
14.	11-051057-001	Hex Hd. Cap Screw (10 mm x 60 mm)
15.	11-052018-001	Flat Washer (10.5 mm)
16.	11-051005-001	Hex Hd. Cap Screw (10 mm x 20 mm)
17.	47-012260-003	Cross Brace
18.	11-051742-001	Locknut (5 mm)
19.	11-051514-001	Socket Hd. Cap Screw (6 mm x 16 mm)
20.	11-051004-001	N.A. Hex Hd. Cap Screw (5 mm x 25 mm)
	47-861001-001	R.O. Hex Hd. Cap Screw (5 mm x 25 mm) Pkg. of 10
21.	N.A.	Plastic Tube
22.	*47-013639-003	L.H. Stopper Arm
	47-013640-003	R.H. Stopper Arm (shown)
23.	11-051002-001	Hex Hd. Cap Screw (5 mm x 30 mm)
24.	46-030120-004	N.A. PVC Bearing
25.	47-013742-004	Plastic Ring
26.	47-013599-004	N.A. L.H. Flipper Stopper Assembly Complete
	*47-013600-004	R.O. R.H. Flipper Stopper Assembly Complete
27.	N.A.	"Y" Switch Assembly Complete
28.	11-053583-000	Rubber Cord
29.	47-012255-004	Dual Feed Pin Chute Plate
30.	N.A.	N.A. R.H. Pin Chute Repair Plate (ten pin side)
	47-012621-000	N.A. L.H. Pin Chute Repair Plate (seven pin side)

N.A. = No Longer Available

R.O. = Replacement Option

* Not Illustrated

Dual Feed Pin Chute Assembly



Dual Feed Pin Chute Assembly

Index

No.	Part No.	Description
1.	47-013971-001	N.A. Elevator Frame Complete
2.	47-014016-003	Bearing Plate
3.	11-051010-001	Hex Hd. Machine Screw (8 mm x 20 mm)
4.	11-051770-001	Lockwasher (8 mm)
5.	11-052003-001	Flat Washer (8.4 mm)
6.	11-051704-001	Hex Nut (8 mm)
7.	11-054425-000	Set Screw (8 mm x 80 mm)
8.	N.A.	Drive Shaft
9.	47-014018-003	Shovel Guide Wheel
10.	47-013931-003	Upper Chain Sprocket
11.	47-014329-003	Flange
12.	11-054450-000	Self-Tapping Screw (6 mm x 16 mm)
13.	47-013956-003	V-Belt Pulley
14.	11-053491-000	Key (5 mm x 5 mm x 20 mm)
15.	11-051852-001	Retaining Ring (17 mm)
16.	47-014017-003	Shovel Guide
17.	11-051053-001	Hex Hd. Machine Screw (8 mm x 40 mm)
18.	11-051744-001	Locknut (8 mm)
19.	11-052006-001	Flat Washer (8.4 mm)
20.	47-013951-003	Wedge Guide
21.	47-013954-003	Rear Wooden Chain Guide
22.	11-052615-001	Carriage Bolt (8 mm x 35 mm)
23.	47-013953-003	Front Wooden Chain Guide
24.	47-013913-002	Damper Guide
25.	47-013946-002	Lower Pan Guide
26.	11-135400-000	Well Nut
27.	11-051881-001	Slotted Machine Screw (8 mm x 30 mm)
28.	47-013912-004	Slide Band
29.	11-053678-000	Rivet (8.9 mm)
30.	47-011053-004	Deflection Chain Gear w/Bearing Complete
31.	11-051772-001	Lockwasher (12 mm)
32.	11-051062-001	Hex Hd. Machine Screw (12 mm x 25 mm)
33.	47-014008-003	5/8" Chain w/Shovel Pins Complete (3556 mm long)
34.	47-011130-004	Bearing Bolt
35.	47-013532-009	Pin Shovel Complete
36.	47-011241-004	Spacer Washers (40 mm x 5.1 mm)
37.	11-051851-001	Retaining Ring (12 mm)
38.	11-052001-001	Flat Washer (12 mm)
	47-861009-001	N.A. Flat Washer (12 mm) Pkg. of 20
39.	47-011047-004	Large Nylon Track Wheel
40.	47-011049-001	Pin Shovel Only
41.	47-011048-004	Pivoting Lever
42.	47-011046-004	Small Nylon Track Wheel
43.	11-052018-001	Flat Washer (10.5 mm)
44.	11-051855-001	Retaining Ring (10 mm)
45.	47-013993-001	R.H. Rear Pin Deflector
46.	47-013994-001	L.H. Rear Pin Deflector
47.	47-013991-001	R.H. Front Pin Deflector
48.	47-013992-001	L.H. Front Pin Deflector
49.	47-014009-004	Spacer
50.	11-051075-001	Hex Hd. Machine Screw (8 mm x 70 mm)
51.	11-052031-001	Flat Washer (9 mm)
52.	47-014060-003	Ejector
53.	11-052008-001	Flat Washer (6.4 mm)
54.	11-051018-001	Hex Hd. Machine Screw (6 mm x 20 mm)
55.	11-051743-001	Locknut (6 mm)
56.	47-243027-004	Switch (silver box consolidated and nexgen)
57.	99-050234-004	Switch Plate
58.	11-052037-001	Flat Washer (6.4 mm)
59.	11-052213-001	Slotted Machine Screw

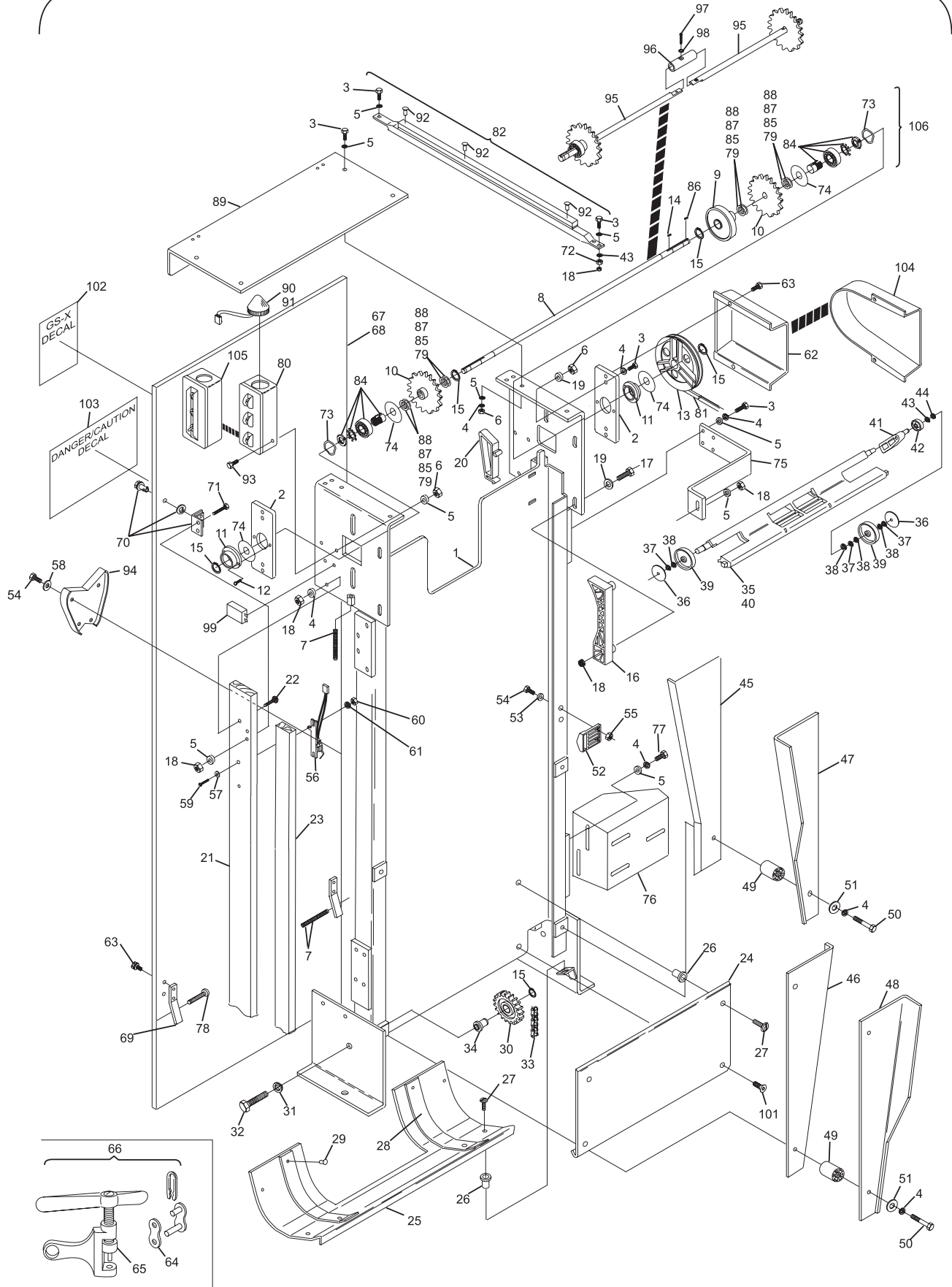
N.A. = No Longer Available
R.O. = Replacement Option

* Not Illustrated

Index

No.	Part No.	Description
60.	11-051741-001	(4 mm x 40 mm)
61.	11-052025-001	Locknut (4 mm)
62.	47-013949-001	Flat Washer (4.3 mm)
63.	11-054451-000	N.A. Pulley Guard (metal)
		Self-Tapping Screw (6 mm x 10 mm)
64.	47-013871-004	Master Link w/Long Pin
	11-600500-000	Standard Master Link
65.	47-013872-004	Chain Tool
66.	47-013873-004	Elevator Chain Repair Kit
67.	47-013983-003	N.A. Elevator Rear Guard Only
	47-013990-002	R.O. Elevator Rear Guard Complete
68.	47-013990-002	Elevator Rear Guard Assembly
69.	47-013652-004	Lower Pin Plate
70.	47-013952-004	Camloc Fastener Assembly
71.	11-051026-001	Hex Hd. Machine Screw (8 mm x 40 mm)
72.	11-051703-001	Hex Nut (10 mm)
73.	47-014331-004	Spring Shim Washer
74.	47-014327-004	N.A. Seal (Washer)
75.	47-014354-003	Elevator Z Bracket w/o Rubber Mount
76.	47-024036-002	Mounting Bracket
77.	11-051038-001	Hex Hd. Machine Screw (8 mm x 16 mm)
78.	11-051883-001	Slotted Truss Hd. Machine Screw (8 mm x 50 mm)
79.	11-052053-001	N.A. Flat Washer (17 mm)
	47-861011-007	R.O. Flat Washer (17 mm) Pkg. of 10
80.	47-245422-003	Mechanic's Remote Box w/Cable (Nexgen Electronics)
81.	11-053905-000	V-Belt (1900 mm)
82.	47-084015-003	Cable Channel Support Assembly
83.	N.A.	Elevator Assembly Complete
84.	11-050150-000	Cone Bearing Assembly
85.	11-054105-001	N.A. Shim Washer (18 mm x 30 mm x 1.5 mm)
86.	11-053501-000	Key
87.	11-052057-001	Flat Washer (18 mm)
88.	11-054106-001	N.A. Shim Washer (18 mm)
	47-861031-001	R.O. Shim Washer (18 mm) Pkg. of 10
89.	47-014770-002	Guard (GS-10/GS-92)
90.	47-014687-004	Trouble Light Assembly w/o Bracket (12V)
91.	*47-223170-000	Bulb Only (12V)
92.	11-053660-000	N.A. Rivet (3.2 mm x 7.4 mm)
	47-861025-000	R.O. Rivet (3.2 mm x 7.4 mm) Pkg. of 20
93.	11-054452-000	N.A. Hex Hd. Machine Screw (5 mm x 10 mm)
94.	47-014761-003	Centering Guides
95.	47-014756-003	N.A. Split Shaft Assembly
	47-015068-003	R.O. Split Shaft Assembly Complete
96.	N.A.	Split Shaft Coupler
97.	11-051526-001	Screw (6 mm x 30 mm)
98.	11-051769-001	Lockwasher (6 mm)
99.	47-225160-004	N.A. Frame Counter
	47-225160-009	R.O. Frame Counter w/Cable
100.	*47-862803-000	N.A. Chain Lube (spray can) -
	*G34-205116-000	R.O. Pinsetter Chain Lube (12 oz. can)
101.	11-052928-001	Flat Hd. Socket Screw (M6 x 10 mm)
102.	47-085081-004	GS-X Label
103.	47-085579-003	Danger/Warning Label
104.	47-014974-003	Pulley Guard GS-96 and Above Plastic
105.	47-243071-004	N.A. Mechanic's Remote Box w/ Cable (Consolidated)
	47-243071-000	R.O. Rear Control Box
106.	47-014766-009	Elevator Shaft Kit (square frame hole, two pieces)
107.	47-0135533-009	Pivoting Lever Assembly

Elevator Assembly - Square Frame Hole Short Pit Machines Series 43 and Above



**Elevator Assembly - Square Frame Hole
Short Pit Machines Series 43 and Above**

Index

No.	Part No.	Description
1.	11-051010-001	Hex Hd. Machine Screw (8 mm x 20 mm)
2.	11-052003-001	Flat Washer (8.4 mm)
3.	47-014770-002	Guard
4.	11-051741-001	Nut (4 mm, GS-92)
	11-051744-001	Nut (8 mm, GS-96)
5.	11-055025-001	N.A. Screw (4 mm x 16 mm) - GS-92
	11-051038-001	Screw (8 mm x 16 mm) - GS-96
6.	47-014267-003	N.A. Mounting Angle
7.	N.A.	Mounting Plate
8.	11-051770-001	Lockwasher (8 mm)
9.	47-013953-003	Front Wooden Chain Guide
10.	11-052221-001	N.A. Slotted Machine Screw (3 mm x 40 mm)
11.	11-051704-001	Nut (8 mm)
12.	47-014917-009	Micro Switch Complete w/Mounting Plate and Guard (Consolidated and Nexgen)
	47-014918-003	Micro Switch Only - GS-98
13.	N.A.	Guard Plate
14.	11-051746-001	Nut (3 mm)
15.	11-051743-001	Hex Locknut (6 mm)
16.	47-014761-003	Centering Guide (upper)
17.	11-051018-001	Hex Hd Machine Screw (6 mm x 20 mm)
18.	11-051769-001	Lockwasher (6 mm)
19.	47-014758-001	N.A. Elevator Frame Complete - GS-92
	47-014254-000	S.O. Elevator Frame Complete - GS-96
20.	11-051038-001	Screw (8 mm x 16 mm)
21.	N.A.	Shaft
22.	47-013949-001	N.A. Metal Pulley Guard - GS-92
	47-014974-003	R.O. Plastic - Pully Guard
23.	47-014974-003	Plastic Pulley Guard - GS-96 & above
24.	11-051010-001	Hex Hd Machine Screw (8 mm x 20 mm) - GS-92
	11-051015-001	Hex Hd Machine Screw (8 mm x 25 mm) - GS-96
25.	47-014238-003	Cross Bar
26.	11-053905-000	V-Belt (1900 mm)
27.	47-014752-003	Flange
28.	47-014751-003	N.A. Bearing Plate
	47-015098-003	Plastic Bearing Flange
29.	47-014800-004	Rubber Bumper
30.	47-014239-004	Support Bar
31.	11-054450-000	Self-Tapping Screw (6 mm x 16 mm)
32.	47-014765-002	Pulley w/o Clamp
33.	47-014255-004	Shock Pad
34.	*N.A.	Damper Plate
35.	11-135400-000	Well Nut (8 mm)
36.	47-093874-004	Clamp Only
37.	11-051035-001	Hex Hd. Cap Screw (6 mm x 16 mm)
38.	**47-015068-003	Shaft Assembly Complete (GS-96 and above)
39.	11-051881-001	Truss Hd. Mach. Screw (8 mm x 30 mm)
40.	11-052037-001	Flat Washer (6.4 mm)
41.	47-245422-003	Mechanic's Remote Box w/ Cable (Nexgen Electronics)
42.	11-054452-000	N.A. Hex Hd. Machine Screw (5 mm x 10 mm)
43.	47-014687-004	Trouble Light Assembly (12V)
	47-015646-004	Trouble Light Assembly - Nexgen (24V)
44.	47-223170-000	Bulb Only - Consolidated and Silver Box Electronics (12V)
	47-223091-000	N.A. Bulb Only - Nexgen (24V)
	47-861047-000	R.O. Bulb Only (Pkg. of 2 LEDs) - (Nexgen Electronics only)
45.	11-430050-000	Bearing
46.	47-014252-004	Shovel Guide Wheel
47.	47-014924-003	Gear (Plastic)
48.	47-015643-001	S.O. Elevator (Complete)
49.	47-013954-003	N.A. Rear Wooden Chain Guide
50.	11-053508-000	Key (6 mm x 6 mm x 20 mm)
51.	47-014354-003	Elevator Z-Bracket w/o Rubber Mount
52.	11-051744-001	Nut (8 mm)
53.	47-243071-004	N.A. Mechanic's Remote Box w/ Cable (Consolidated)
	47-243071-000	R.O. Rear Control Box
54.	47-860016-000	Pin Count Switch Arm
55.	11-052928-001	Flat CTS. Head Screw (6 mm x 10 mm)
56.	11-051853-000	Retaining Ring
57.	11-051506-001	N.A. Hex Skirt Head Cap Screw (M4 x 12 mm)
58.	11-051010-001	Hex Hd Machine Screw (8 mm x 20 mm)
59.	11-052008-001	Flat Washer

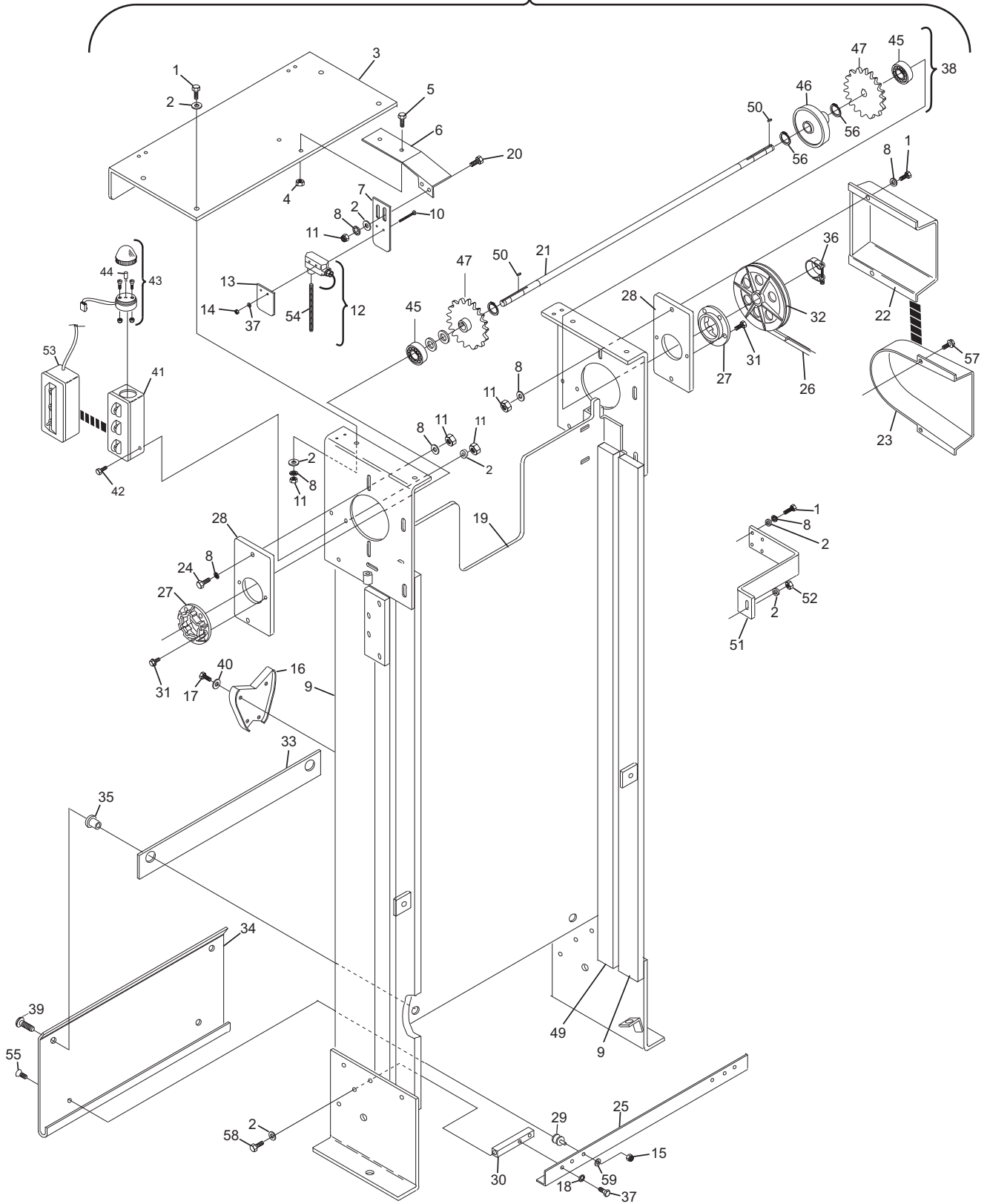
N.A. = No Longer Available
R.O. = Replacement Option
S.O. = Special Order

*To order entire Damper Plate kit, order 47-014696-009 (includes index nos. 1, 2, 18, 25, 29, 30, 33, 34, 35, 37, 39, and 40).

** Also order Plastic Bearing Flange (47-015098-003) and 2 each Wave Springs, 47-014331-004.

*** Not Illustrated

Elevator Assembly - Round Frame Hole Short Pit Machines Series 43 and Above



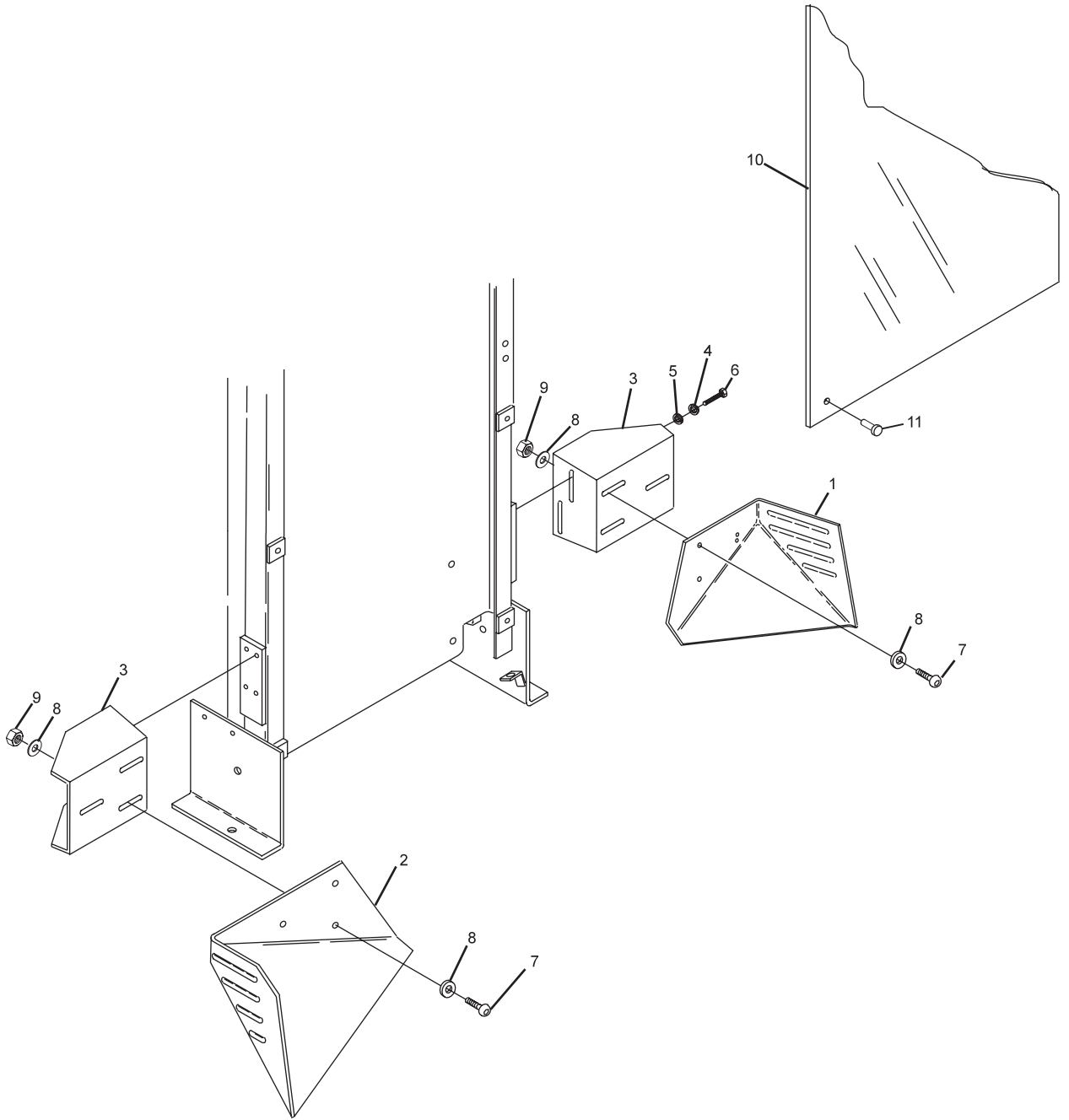
**Elevator Assembly - Round Frame Hole
Short Pit Machines Series 43 and Above**

Index

No.	Part No.	Description
1.	47-023986-001	R.H. Pin Deflector Board
2.	47-023987-001	L.H. Pin Deflector Board
3.	47-024036-002	Mounting Bracket
4.	11-051770-001	Lockwasher (8 mm)
5.	11-052003-001	Flat Washer (8.4 mm)
6.	11-051038-001	Hex Hd. Machine Screw (8 mm x 16 mm)
7.	11-054801-001	Hex Hd. Socket Button Hd. Machine Screw (8mm x 20mm)
8.	11-052019-001	Flat Washer (8.4 mm)
9.	11-051744-001	Locknut (8 mm)
10.	47-023923-003	N.A. Lexan Division Barrier
11.	47-013952-004	Camloc Fastener Assembly

N.A. = No Longer Available

**Pin Deflector Boards
Short Pit Machines Series 43 and Above**



**Pin Deflector Boards
Short Pit Machines Series 43 and Above**

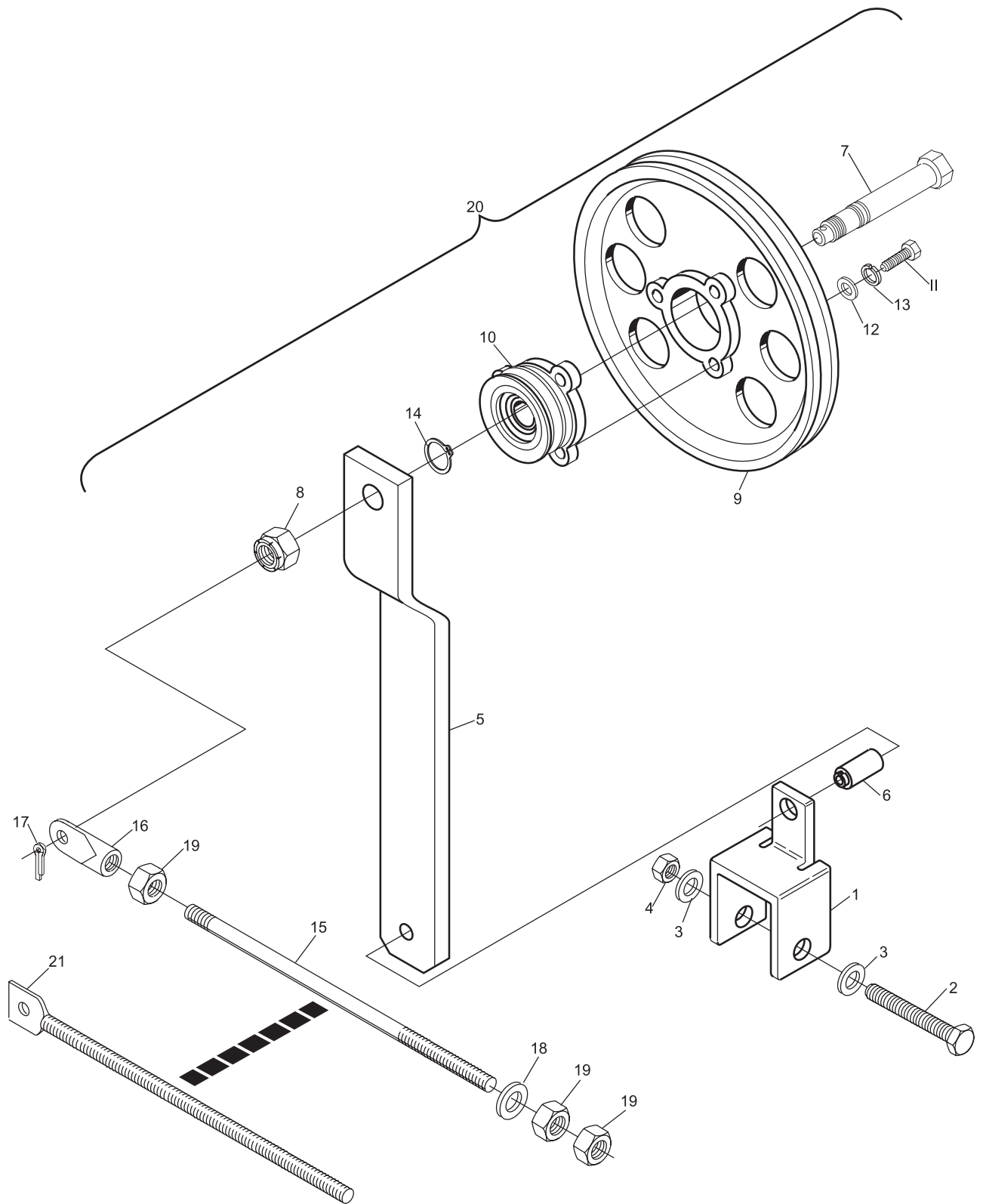
Index

No.	Part No.		Description
1.	N.A.		Support Bracket (order index # 20)
2.	11-051064-001		Hex Hd. Machine Screw (8 mm x 65 mm)
3.	11-052006-001		Flat Washer (8.4 mm)
4.	11-051744-001		Locknut (8 mm)
5.	47-014058-003	N.A.	Lever
6.	11-052691-001		Rolled Pin (10 mm x 26 mm)
7.	47-014059-004		Bearing Bolt
8.	11-051745-001		Locknut (10 mm)
9.	47-022410-003		Round Belt Pulley
10.	47-014054-003		V-Belt Adaptor Pulley
11.	11-051028-001		Hex Hd. Machine Screw (6 mm x 25 mm)
12.	11-052008-001		Flat Washer (6.4 mm)
13.	11-051769-001		Lockwasher (6 mm)
14.	11-051852-001		Retaining Ring (17 mm)
15.	47-013930-004		Threaded Rod (older version)
16.	47-013916-004		Rod End Adaptor
17.	11-051793-001		Cotter Pin (2 mm x 16 mm)
18.	11-052028-001		Flat Washer (10.5 mm)
19.	11-051703-001		Hex Nut (10 mm)
20.	47-014053-001		Elevator Belt Tensioner Assembly
21.	47-014718-004	S.O.	Threaded Rod (newer version)

N.A. = No Longer Available

S.O. = Special Order

**Elevator Belt Tensioner Assembly
Short Pit Machines Series 43 and Above**



**Elevator Belt Tensioner Assembly
Short Pit Machines Series 43 and Above**

Intentionally Blank Page