

Section N

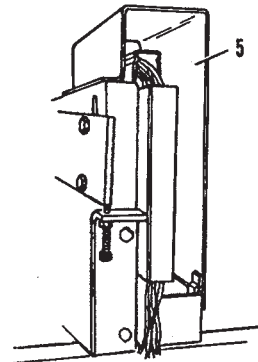
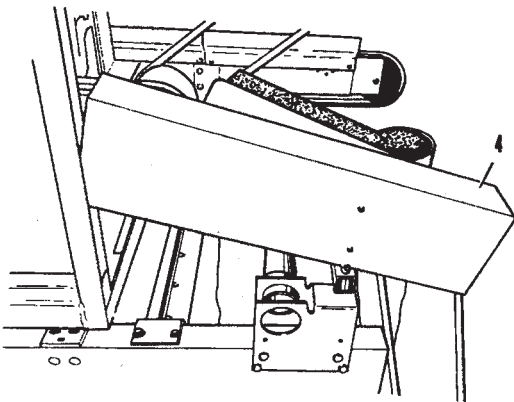
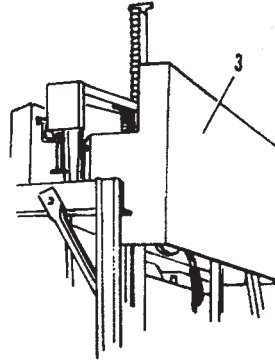
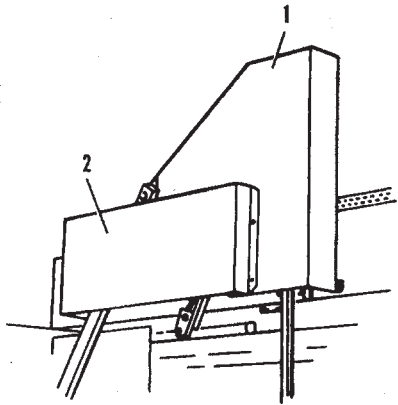
GUARDS

Index

No.	Part No.		Description
1.	47-081504-001		Guide Tower Guard
2.	47-081795-002	N.A.	Gear Train Guard (right-hand)
3.	47-082103-001		Gear Train Guard (left-hand)
4.	N.A.	N.A.	Belt Guard
5.	47-072086-003		Motor Pulley Guard

N.A. = No Longer Available

Guards



Guards

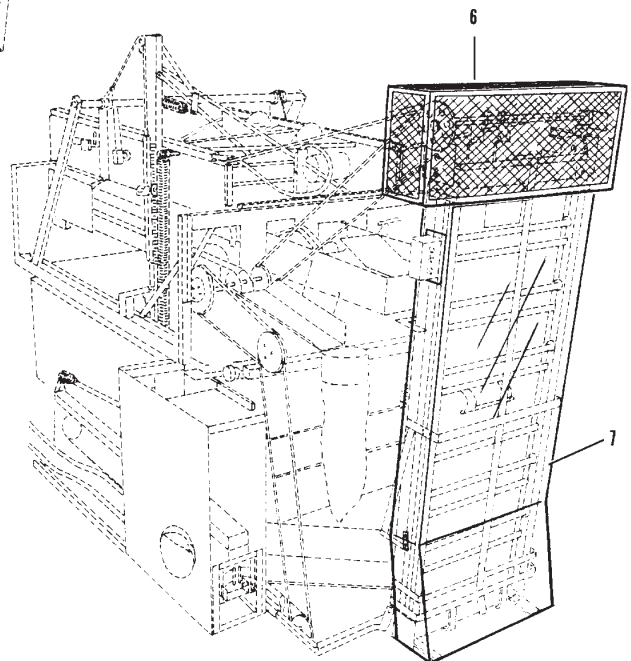
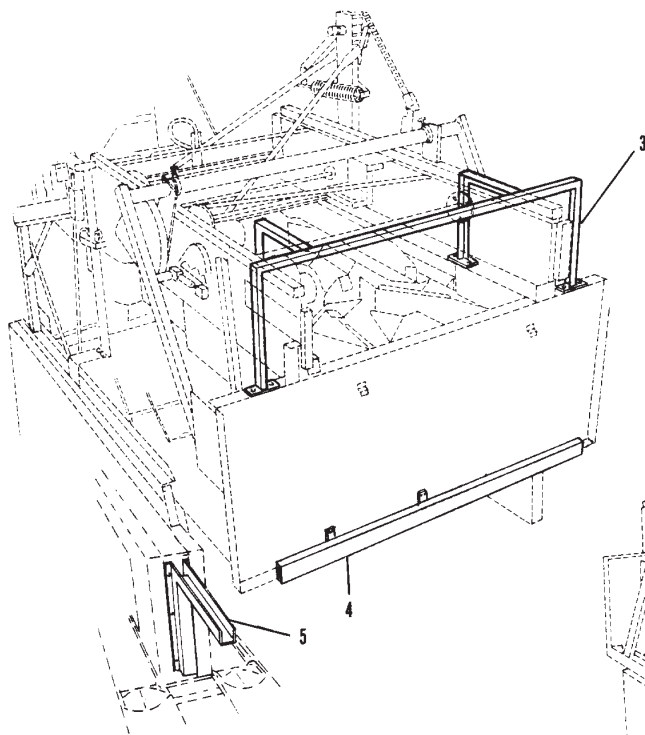
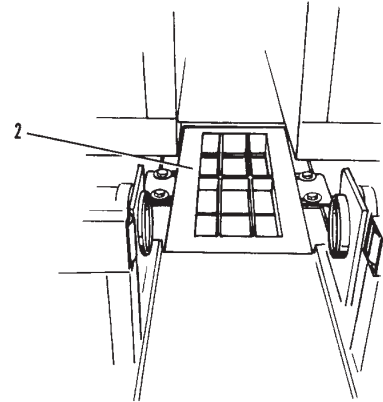
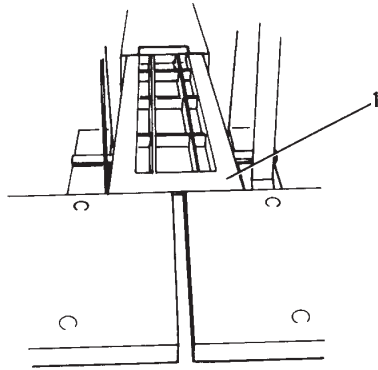
Index

No.	Part No.		Description
1.	47-084028-002	N.A.	Catwalk Guard
2.	47-084024-002	N.A.	Ball Return Guard
3.	47-084048-001		Hand Rail
4.	*47-084032-002	N.A.	R.H. Front Cable Channel
	47-084030-002	N.A.	L.H. Front Cable Channel
5.	47-084038-001	N.A.	Kickback Cable Channel
6.	47-084051-000	N.A.	Upper Elevator Guard
7.	*47-084043-001	N.A.	L.H. Lower Elevator Guard
	47-084044-001	N.A.	R.H. Lower Elevator Guard
	47-013990-002		Elevator Rear Guard Assembly (GS-92 or GS-96)
8.	*47-011775-003		Elevator Guard Complete (short)
9.	*47-023923-003	N.A.	Lexan Division Barrier (between machines)

N.A. = No Longer Available

* Not Illustrated

Guards



Guards

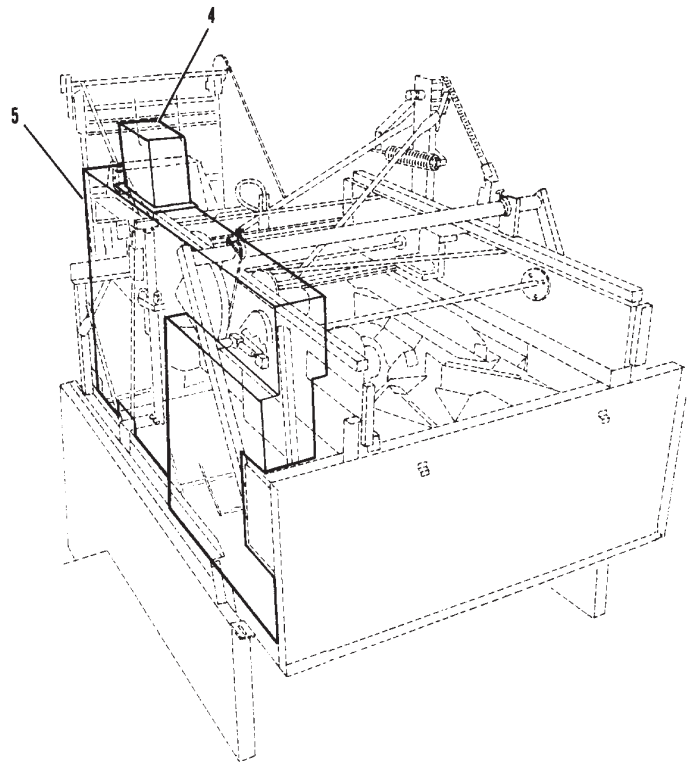
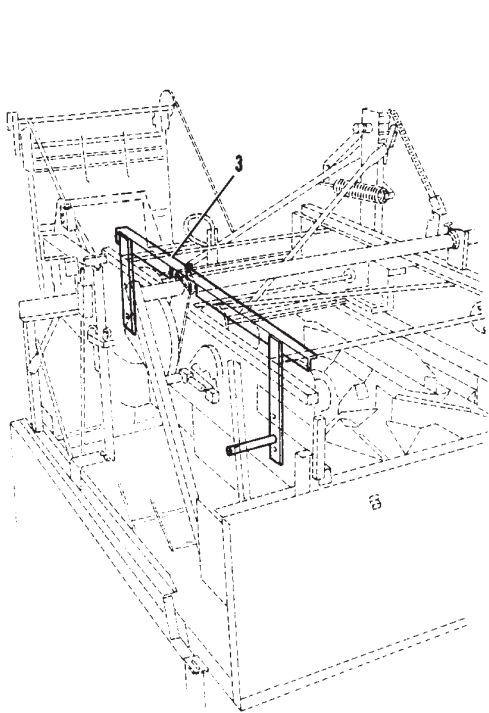
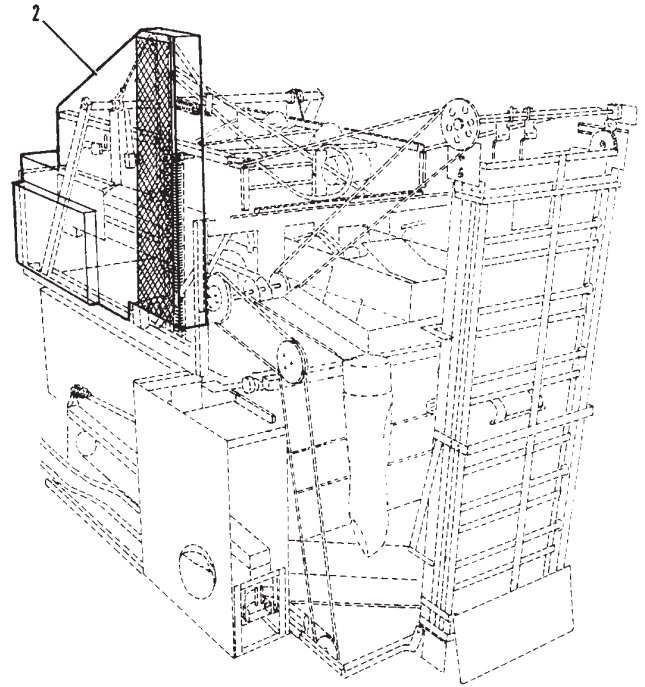
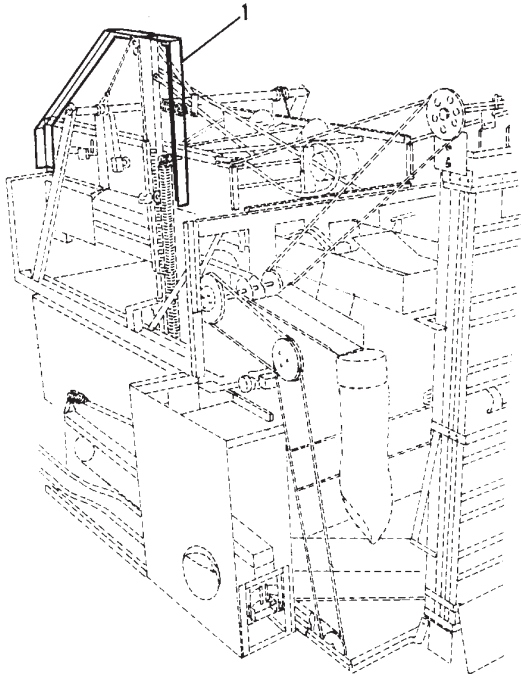
Index

No.	Part No.		Description
1.	47-084047-001		Guide Tower Guard Frame
2.	47-084041-001	N.A.	Guide Tower Guard
3.	47-084025-002	N.A.	Left Side Guard Frame
4.	47-084026-002		Stroke Limiter Guard
5.	47-084039-001		Left Side Guard Complete
6.	*47-273879-009	N.A.	Guard Hardware Pkg.

N.A. = No Longer Available

* Not Illustrated

Guards



Guards

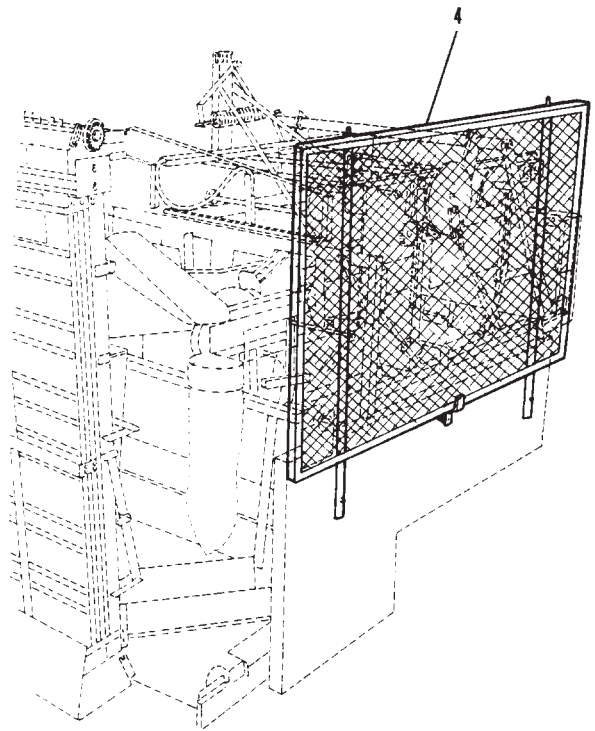
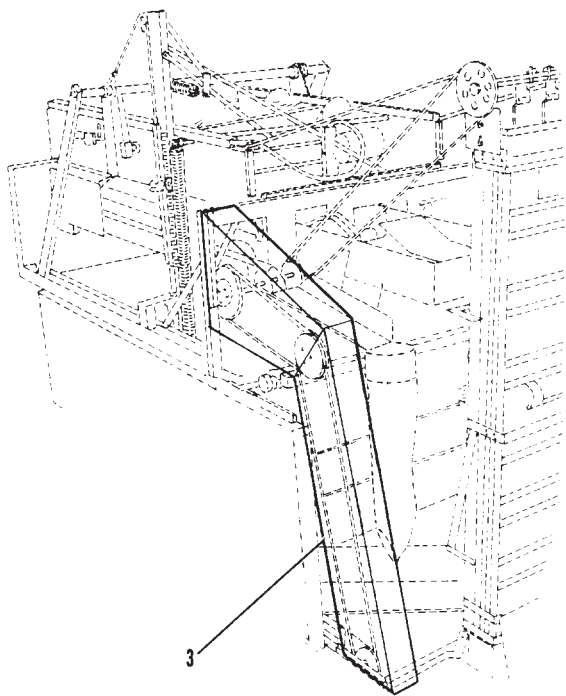
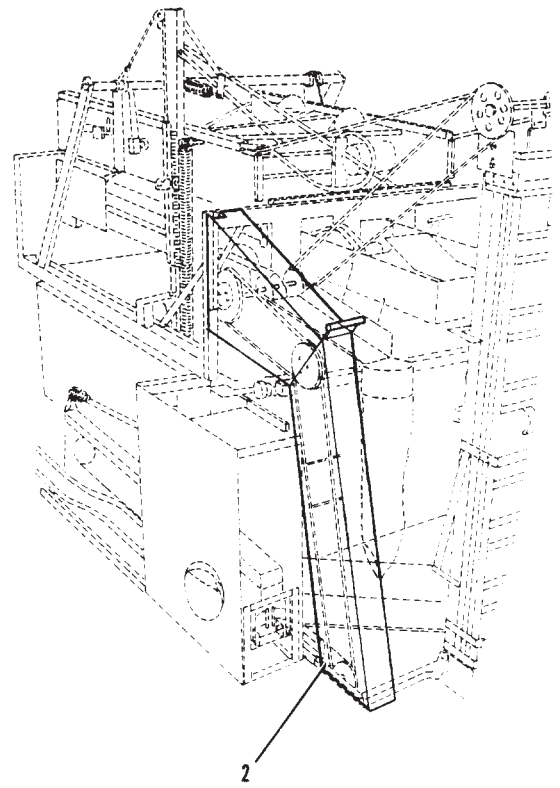
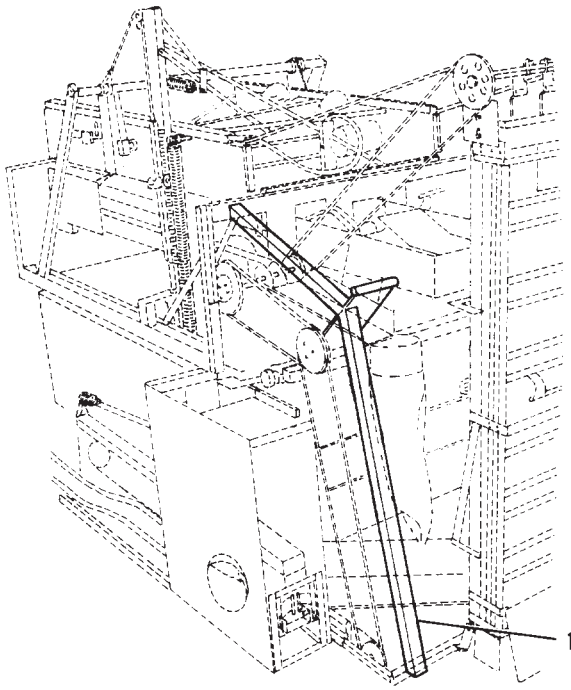
Index

No.	Part No.		Description
1.	*47-084050-001	N.A.	Pulley Guard Frame
	47-084049-001	N.A.	Pulley Guard Frame
2.	47-084046-001	N.A.	Pulley Guard (ball return)
3.	47-084045-001		Pulley Guard (division)
4.	47-084033-002		Side Guard Complete (end machine)

N.A. = No Longer Available

* Not Illustrated

GS-10 Long Pit Guards



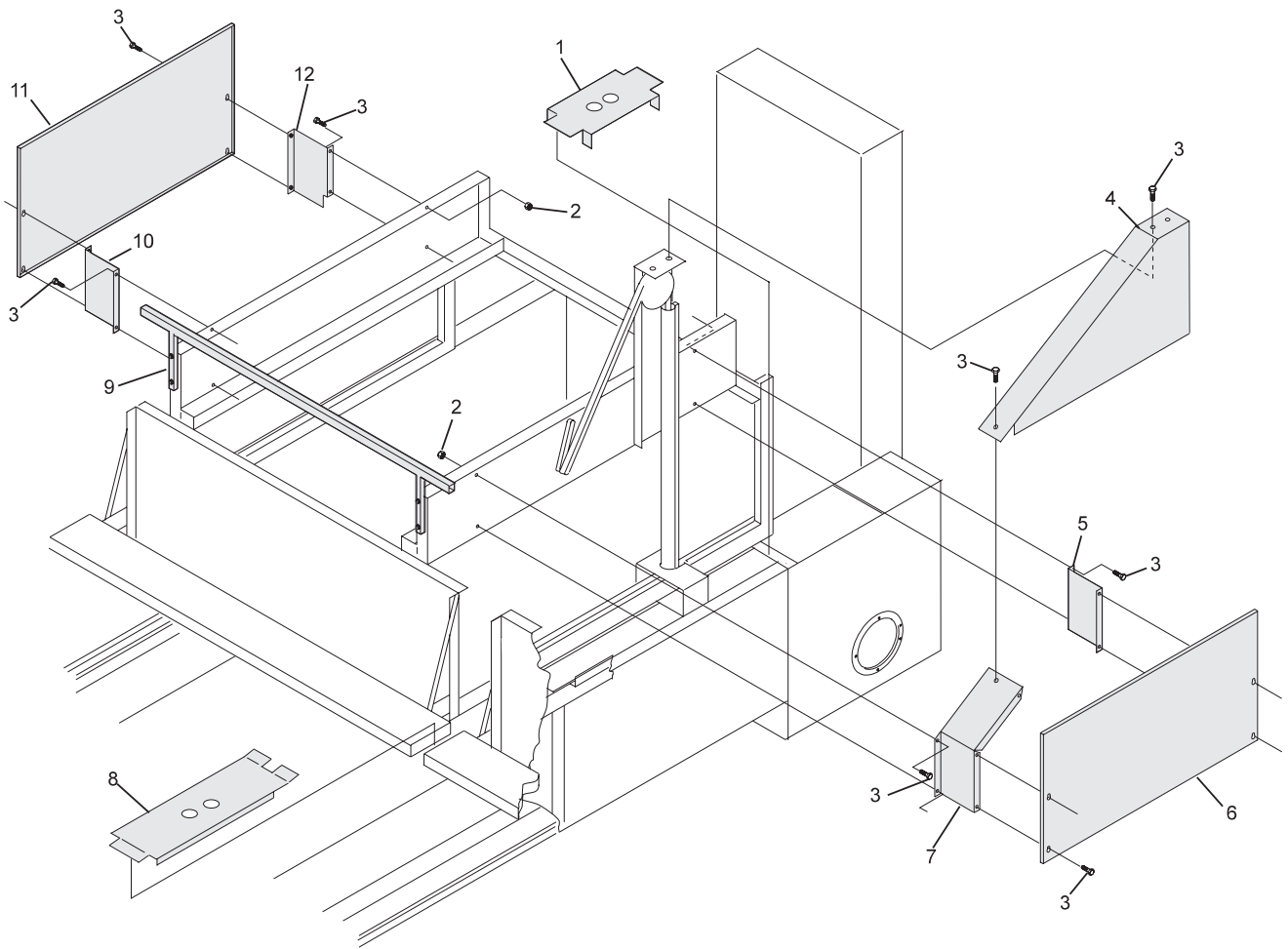
GS-10 Long Pit Guards

Index

No.	Part No.		Description
1.	47-084935-003		Accelerator Cover
2.	11-051744-001		Locknut (M8)
3.	11-051038-001		Metric Hex Head Cap Screw (18 mm x 16 mm)
4.	47-084938-002	N.A.	Top Cover
5.	N.A.	N.A.	R.H. Rear Support
6.	47-084937-002	N.A.	Side Cover
7.	N.A.	N.A.	L.H. Front Support
8.	47-084936-003	N.A.	Walk Cover
	47-085973-000	R.O.	Walkway Bridge
9.	47-084930-003	N.A.	Hand Rail
10.	N.A.	N.A.	L.H. Front Support
11.	47-084937-002	N.A.	Side Cover
12.	N.A.	N.A.	L.H. Rear Support

N.A. = No Longer Available

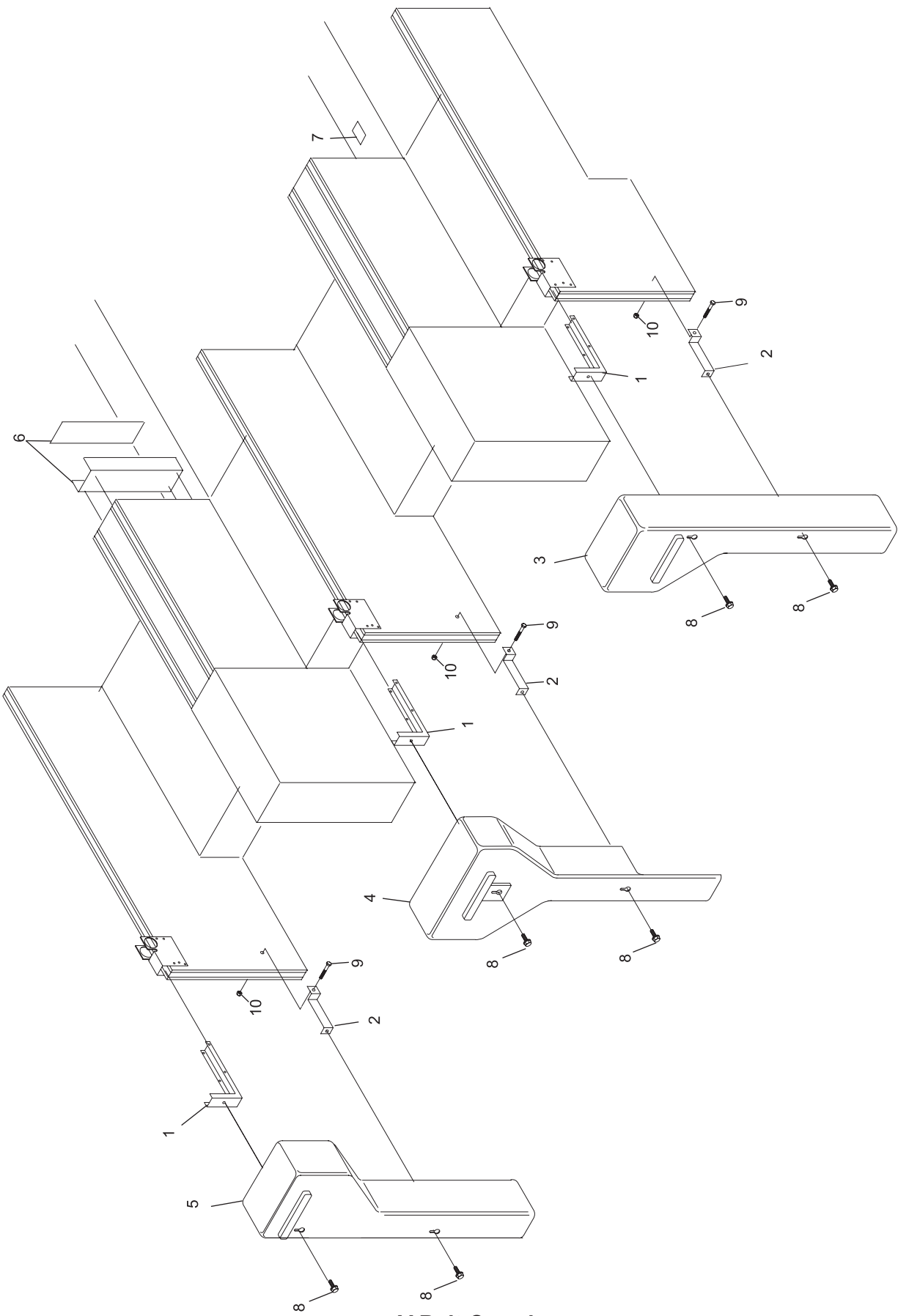
C-Guards



C-Guards

Index

No.	Part No.	Description
1.	47-085312-003	Angle Bracket
2.	47-085313-003	Lower Bracket
3.	47-085182-003	Guard, left-end (from the foul line)
4.	47-085189-003	Guard, Double (common kickback)
5.	47-085191-003	Guard, right-end (from the foul line)
6.	47-084958-004	Cable Channel and Cover Assembly
7.	47-084950-004	Warning Label (Ball Detect)
8.	11-055101-001	Hex Head Cap Screw (9 mm x 20 mm)
9.	11-051013-001	Hex Head Cap Screw (10 mm x 90 mm)
10.	11-051745-001	Locknut (10 mm)



**V-Belt Guard
Base/Fixed**

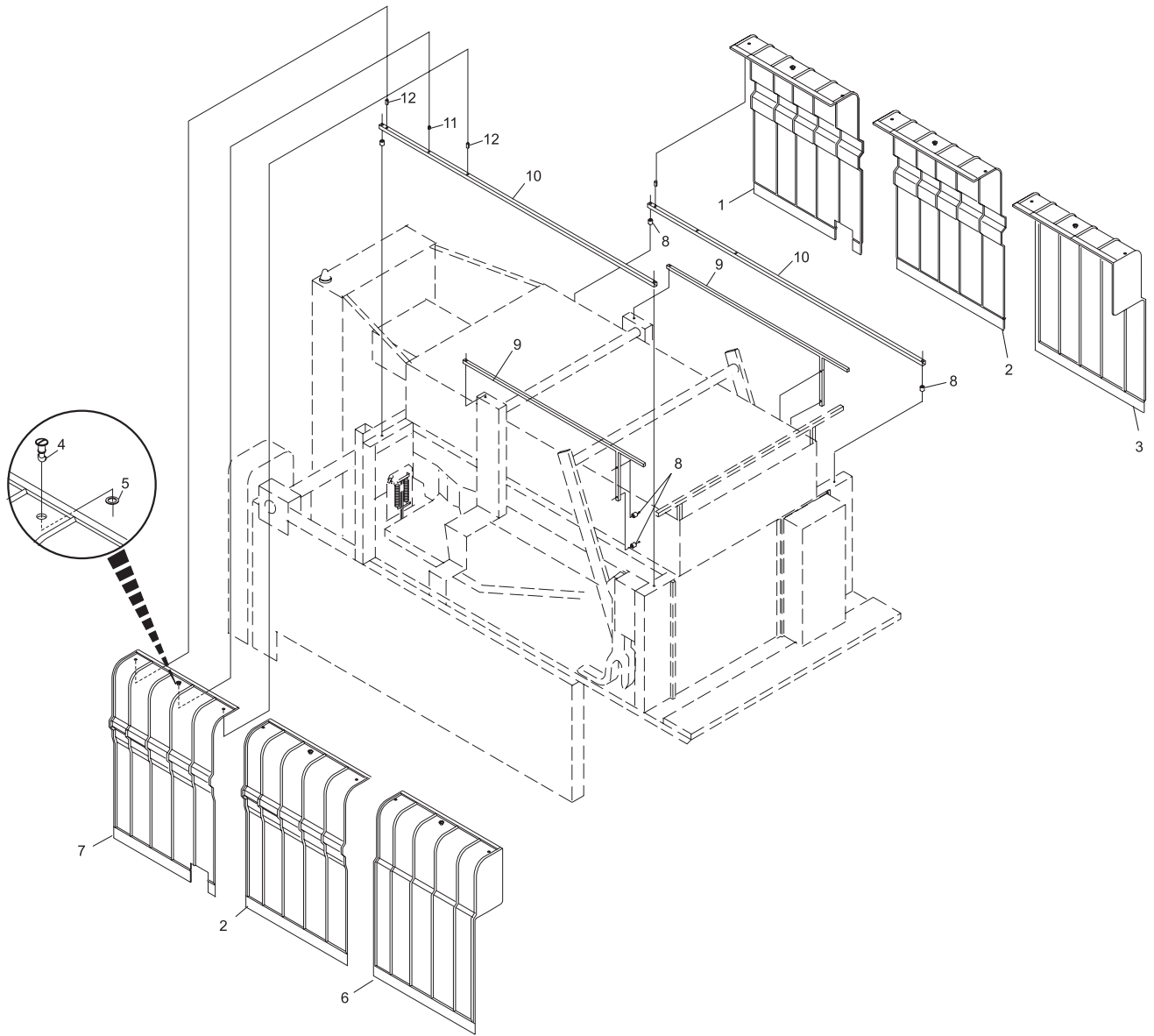
Index

No.	Part No.		Description
1.	47-085571-009		R.H. Rear Guard - Complete
2.	47-085570-009		Middle Guard - Complete
3.	47-085574-009		R.H. Front Guard - Complete
4.	47-085550-004	N.A.	1/4 Turn Fastener Slotted Pan Head
	11-056201-000	R.O.	1/4 Turn Fastener Pan Head w/Internal Hex Drive
5.	47-085499-004		Retaining Ring
6.	47-085573-009		L.H. Front Guard - Complete
7.	47-085572-009		L.H. Rear Guard - Complete
8.	47-085490-004		Spacer
9.	47-085569-009		Guard Rail
10.	47-085492-004		Guard Support
11.	47-085498-004		1/4 Turn Receptacle
12.	11-052689-001	N.A.	Roll Pin (8 mm x 30 mm)

N.A. = No Longer Available

R.O. = Replacement Option

**Base/Fixed
GS-X Machine Guards
(Machine Series 443 and Above)**



**Base/Fixed
GS-X Machine Guards
(Machine Series 443 and Above)**

Index

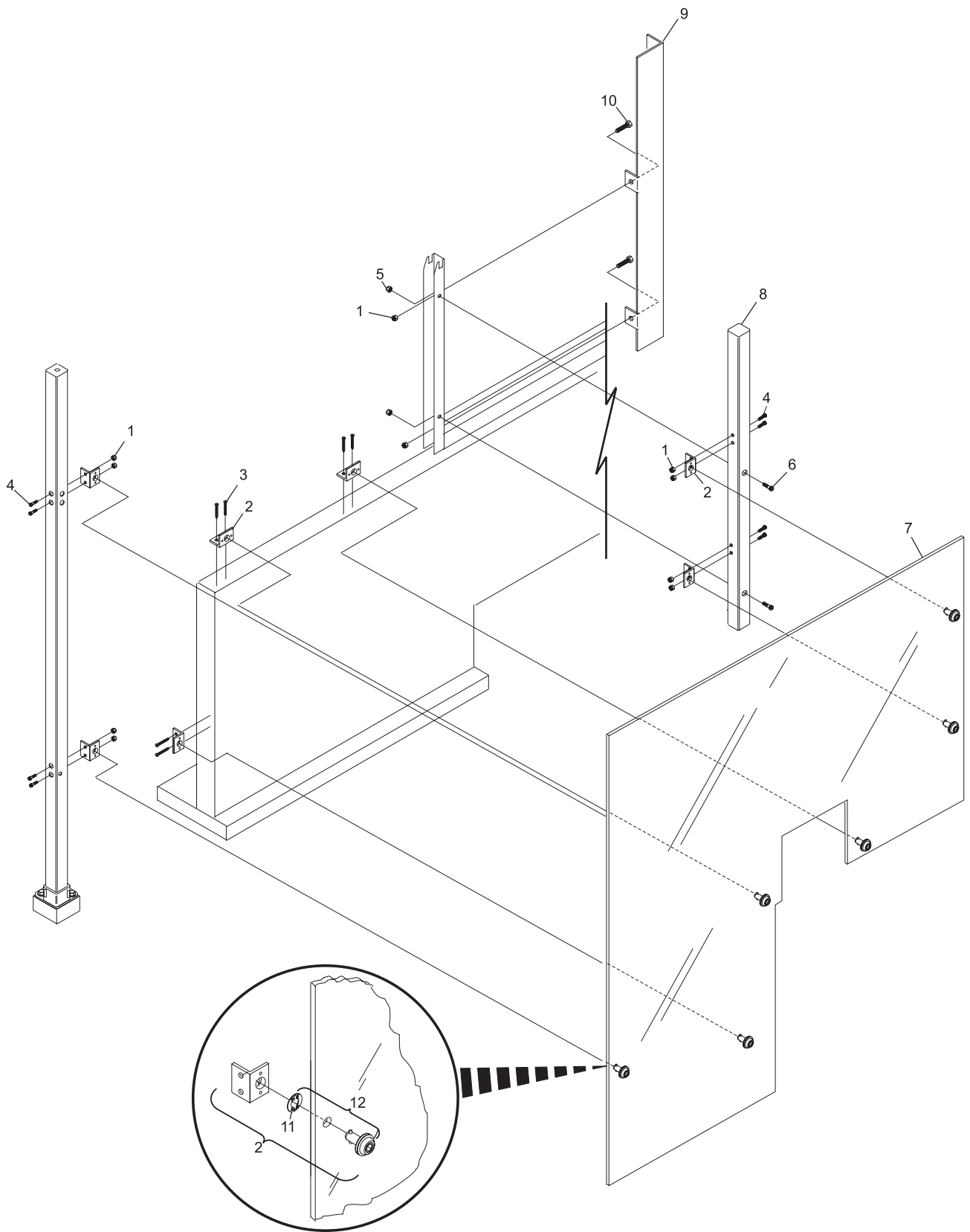
No.	Part No.		Description
1.	11-051744-001		Lock Nut (8 mm)
2.	47-013952-004		Quick Lock Assembly (includes Fastener, Retainer and Bracket)
3.	11-053308-001	N.A.	Wood Screw (6mm x 30 mm)
4.	11-051550-001	N.A.	Socket Head Cap Screw (8 mm x 16 mm)
5.	11-051743-001		Lock Nut (6 mm)
6.	11-051514-001		Socket Head Cap Screw (6 mm x 16 mm)
7.	47-085825-003		Side Rear Guard - (Clear)
8.	47-085828-003	N.A.	R.H. Support Pole
	*47-085837-003	N.A.	L.H. Support Pole
9.	47-085840-003	N.A.	R.H. Frame Extension
	*47-085839-003	N.A.	L.H. Frame Extension
	*47-085784-009	R.O.	Extension Frame for Lane Pair Pkg.
10.	11-051041-001		Hex Head Cap Screw (8 mm x 35 mm)
11.	47-086163-009		Retainer (Pkg. of 10)
12.	47-086165-009		Quick Lock Internal Hex Drive Pan Head Fastener w/Retainer (replaces Slotted Hex Head Fastener)

N.A. = No Longer Available

R.O. = Replacement Option

** Not Illustrated*

**Base/Fixed
End Lane/Post Row Side Guards**



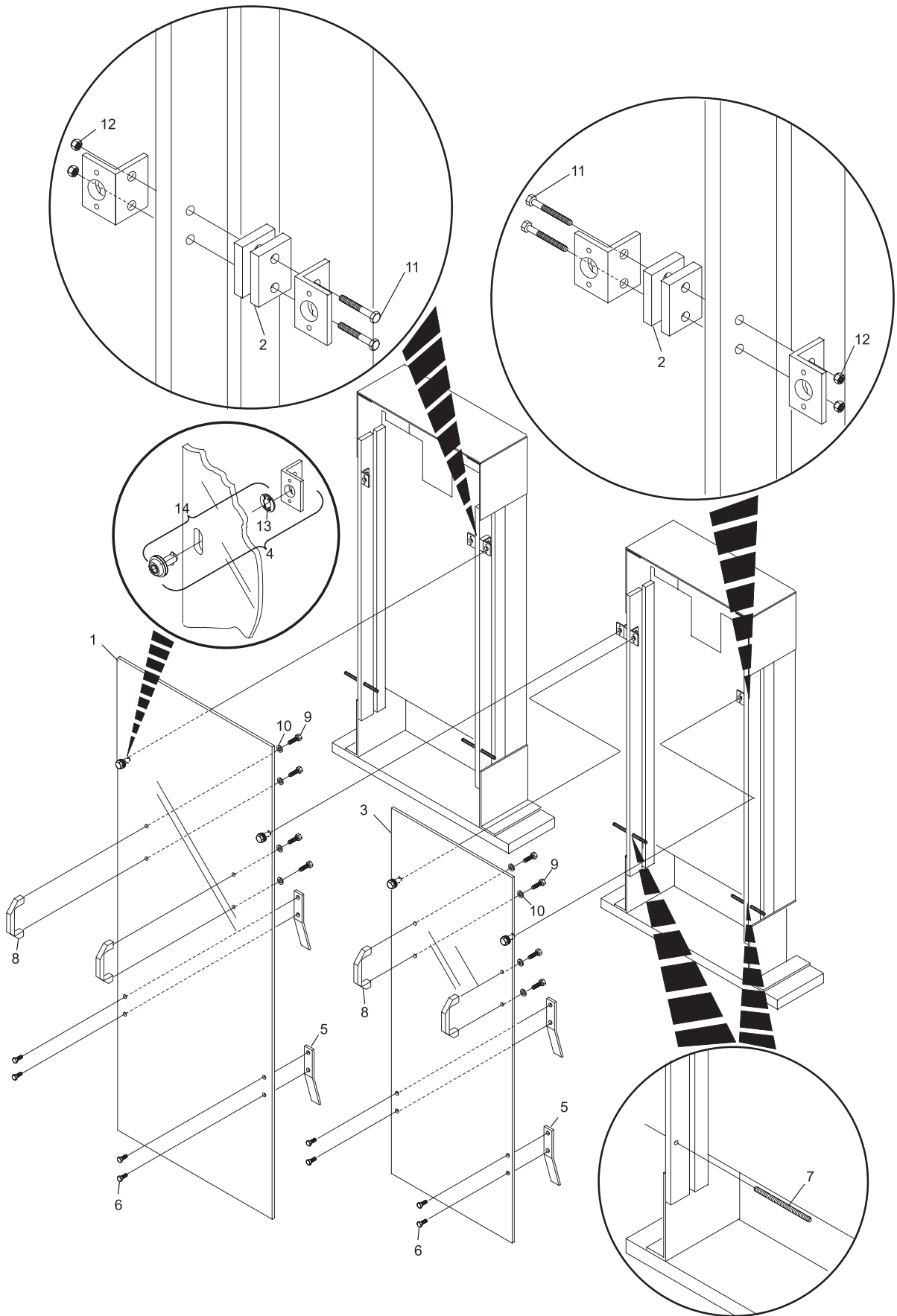
**Base/Fixed
 End Lane/Post Row Side Guards**

Index

No.	Part No.		Description
1.	47-085821-003	S.O.	Division Guard - (Clear)
2.	47-085829-004	N.A.	Shim
3.	47-085822-003	S.O.	Elevator Guard - (Clear)
	47-013990-002		Elevator Guard - (Solid Gray)
4.	47-013952-004		Quick Lock Assembly (includes Fastener, Retainer and Bracket)
5.	47-013651-004	N.A.	Mounting Clip
6.	11-054451-000		Self Tapping Screw (6 mm x 10 mm)
7.	11-054425-000		Slotted Set Screw (M8 x 80 mm)
8.	47-085826-009		Handle Pkg. (includes index Nos. 9 & 10)
9.	11-051035-001		Hex Head Cap Screw (6 mm x 16 mm)
10.	11-052037-001		Flat Washer (6.4)
11.	11-051011-001		Hex Head Cap Screw (8 mm x 50 mm)
12.	11-051744-001		Lock Nut (8 mm)
13.	47-086163-009		Retainer (Pkg. of 10)
14.	47-086165-009		Quick Lock Internal Hex Drive Pan Head Fastener w/Retaining Ring

N.A. = No Longer Available

S.O. = Special Order

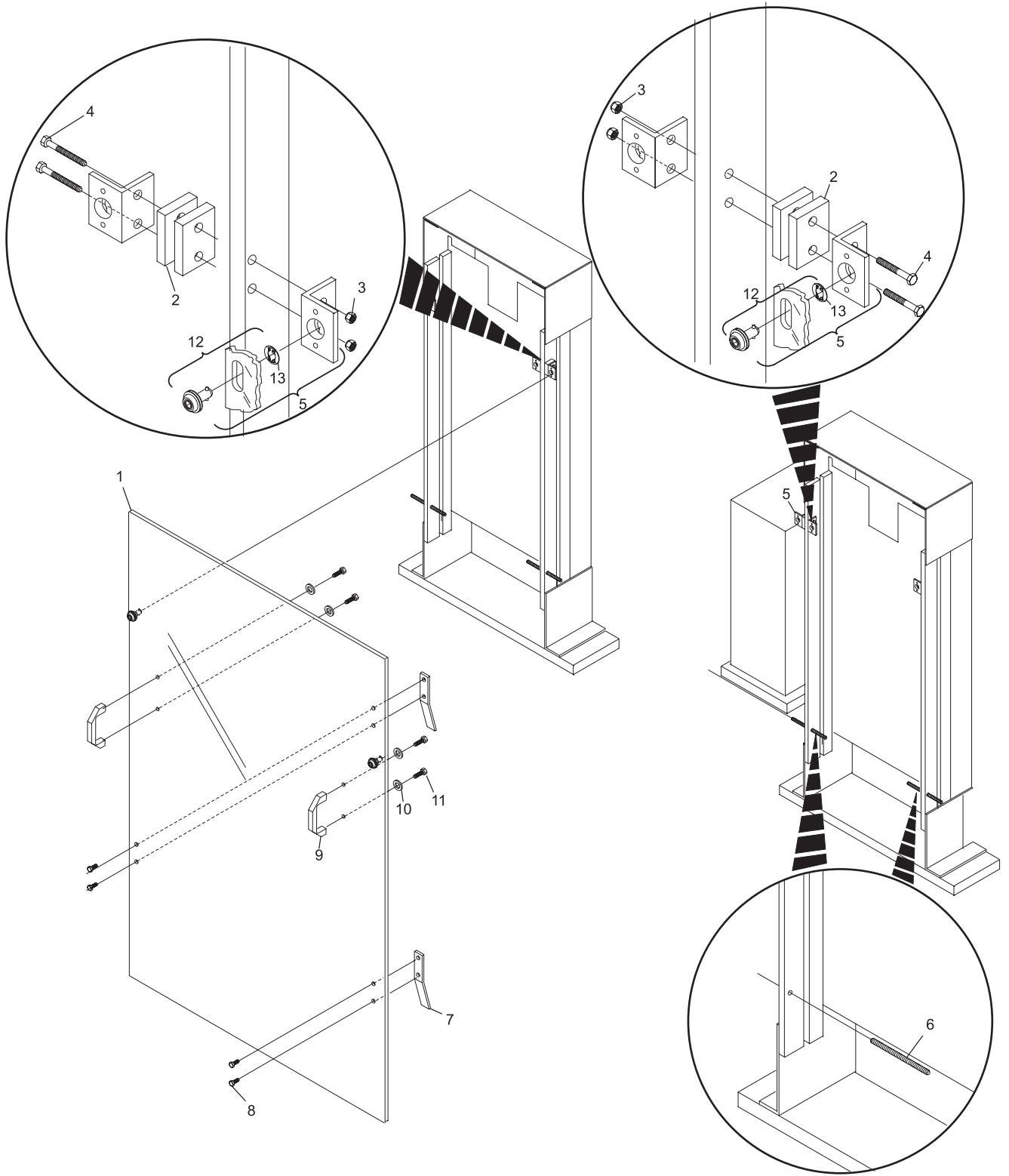


**Base/Fixed
Division/Elevator Guards**

Index

No.	Part No.		Description
1.	47-085820-003	N.A.	Ball Return Guard (Clear)
2.	47-085829-004	N.A.	Shim
3.	11-051744-001		Lock Nut (8 mm)
4.	11-051011-001		Hex Head Cap Screw (8 mm x 50 mm)
5.	47-013952-004		Quick Lock Assembly (includes Bracket, Fastener and Retainer)
6.	11-054425-000		Slotted Set Screw (M8 x 80 mm)
7.	47-013651-004	N.A.	Mounting Clip
8.	11-054451-000		Self Tapping Screw (6 mm x 10 mm)
9.	47-085826-009		Handle Pkg. (included index Nos. 10 & 11)
10.	11-052037-001		Flat Washer (6.4 x 18)
11.	11-051035-001		Hex Head Cap Screw (6 mm x 16 mm)
12.	47-086165-009		Quick Lock Internal Hex Drive Pan Head Fastener w/Retaining Ring
13.	47-086163-009		Retainer (Pkg. of 10)

N.A. = No Longer Available



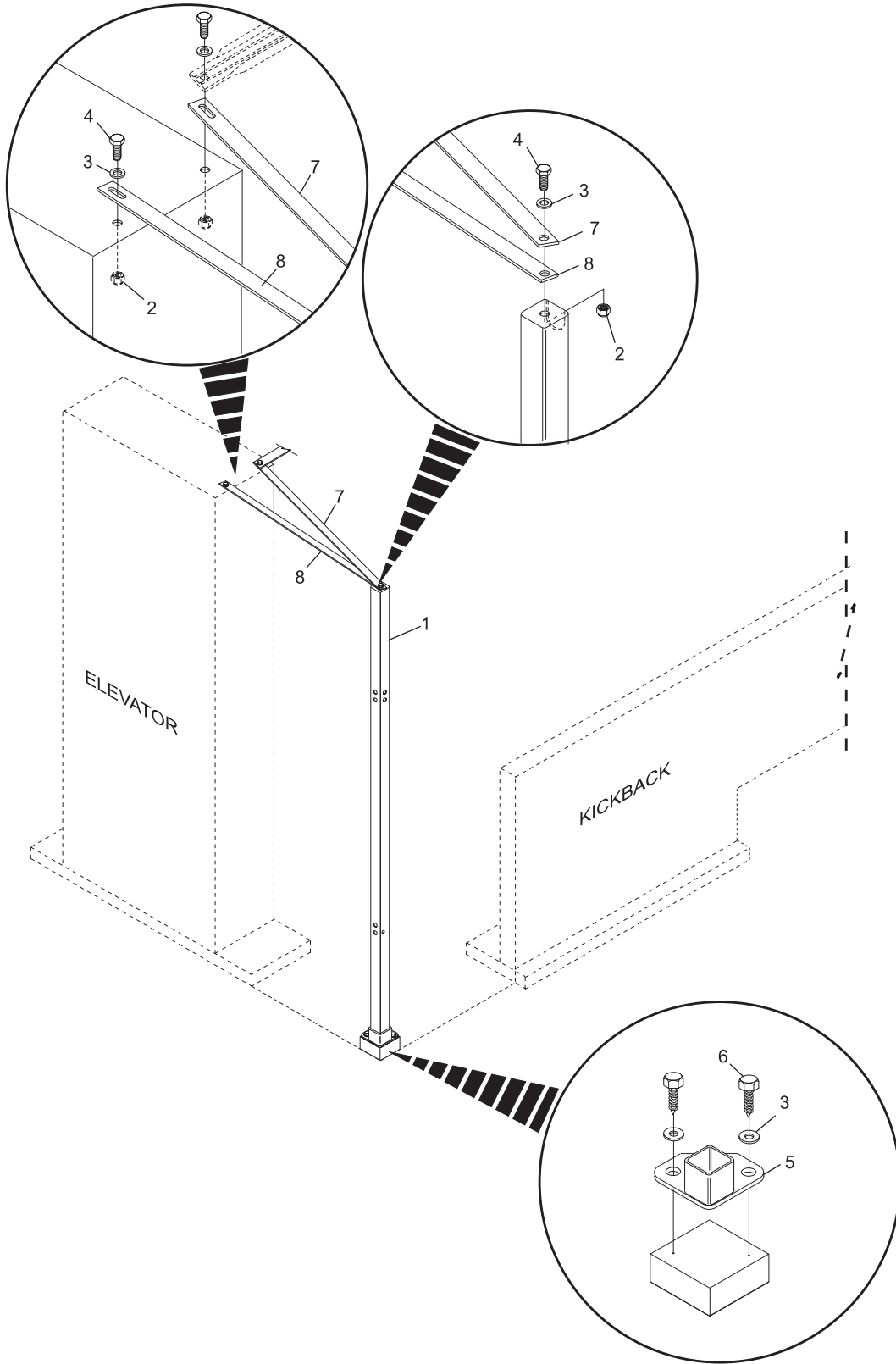
**Fixed
Ball Return Guards**

Index

No.	Part No.		Description
1.	47-085834-003	N.A.	R.H. Support Pole Guard
	47-085838-003	N.A.	L.H. Support Pole Guard
2.	11-051744-001		Lock Nut (8 mm)
3.	11-052019-001		Flat Washer (8.4)
4.	11-053305-001	N.A.	Hex Head Cap Screw (8 mm x 40 mm)
5.	47-085835-003	N.A.	Support Block
6.	11-051015-001		Hex Head Lag Screw (8 mm x 25 mm)
7.	47-085833-003	N.A.	R.H. Angle Stabilizer Bar (660 mm)
	47-085831-003	N.A.	L.H. Angle Stabilizer Bar (500 mm)
8.	47-085832-003	N.A.	L.H. Straight Stabilizer Bar (610 mm)
	47-085830-003	N.A.	R.H. Straight Stabilizer Bar (450 mm)

N.A. = No Longer Available

**Base/Fixed
End Lane/Post Row
Support Pole**



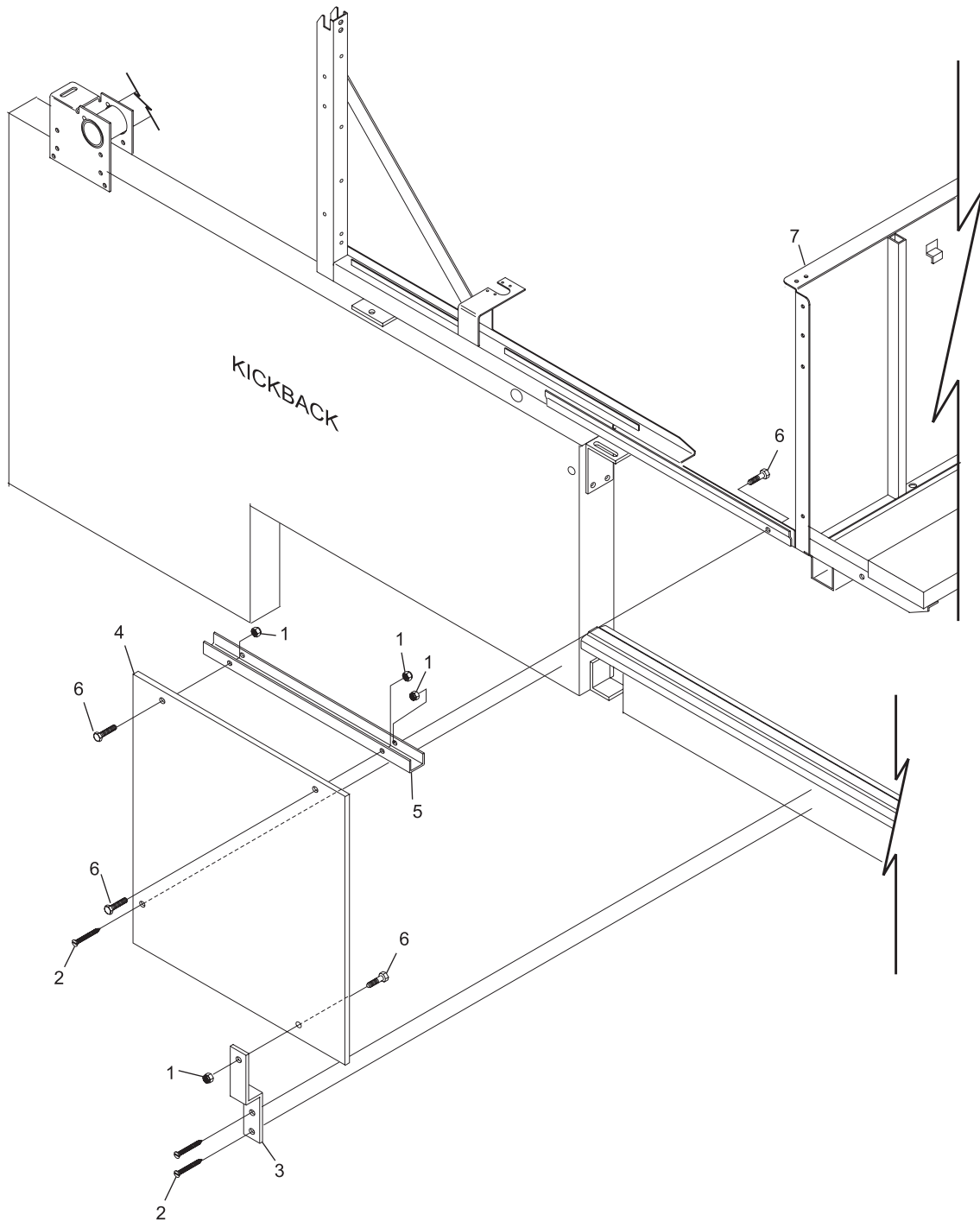
**Base/Fixed
End Lane/Post Row
Support Pole**

Index

No.	Part No.		Description
1.	11-051743-001		Lock Nut (6 mm)
2.	11-054851-001	N.A.	Wood Screw (4.8 mm x 25 mm)
3.	47-085783-004	N.A.	Sweep Guard Plate - Bracket
4.	47-085781-003	S.O.	Sweep Guard (Clear)
5.	47-085782-003	N.A.	Guard Support
6.	11-051035-001		Hex Head Cap Screw (6 mm x 16 mm)
7.	47-085362-002	N.A.	Front Frame Support Assembly

N.A. = No Longer Available

S.O. = Special Order



Base/Fixed Sweep Guard

Index

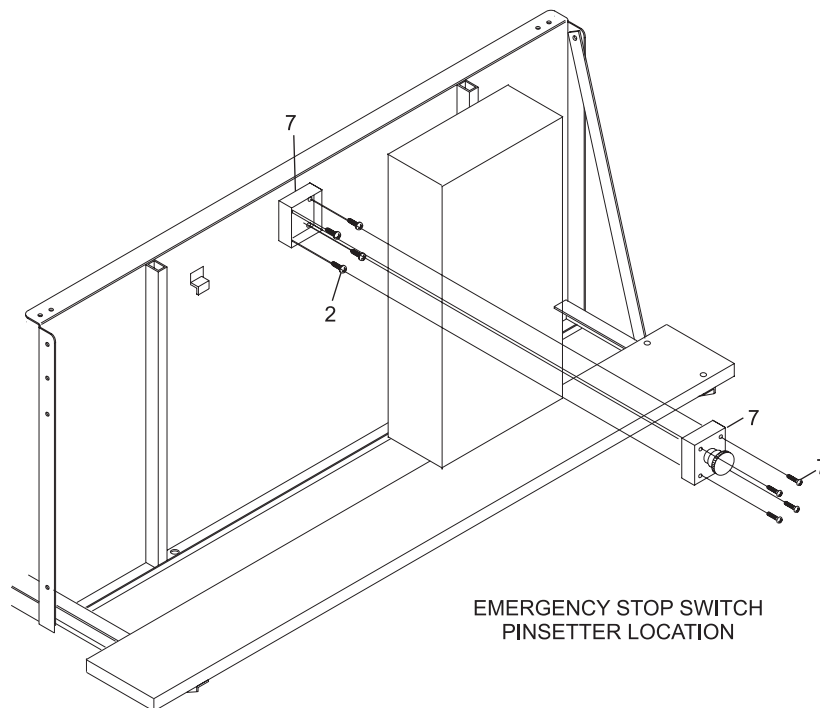
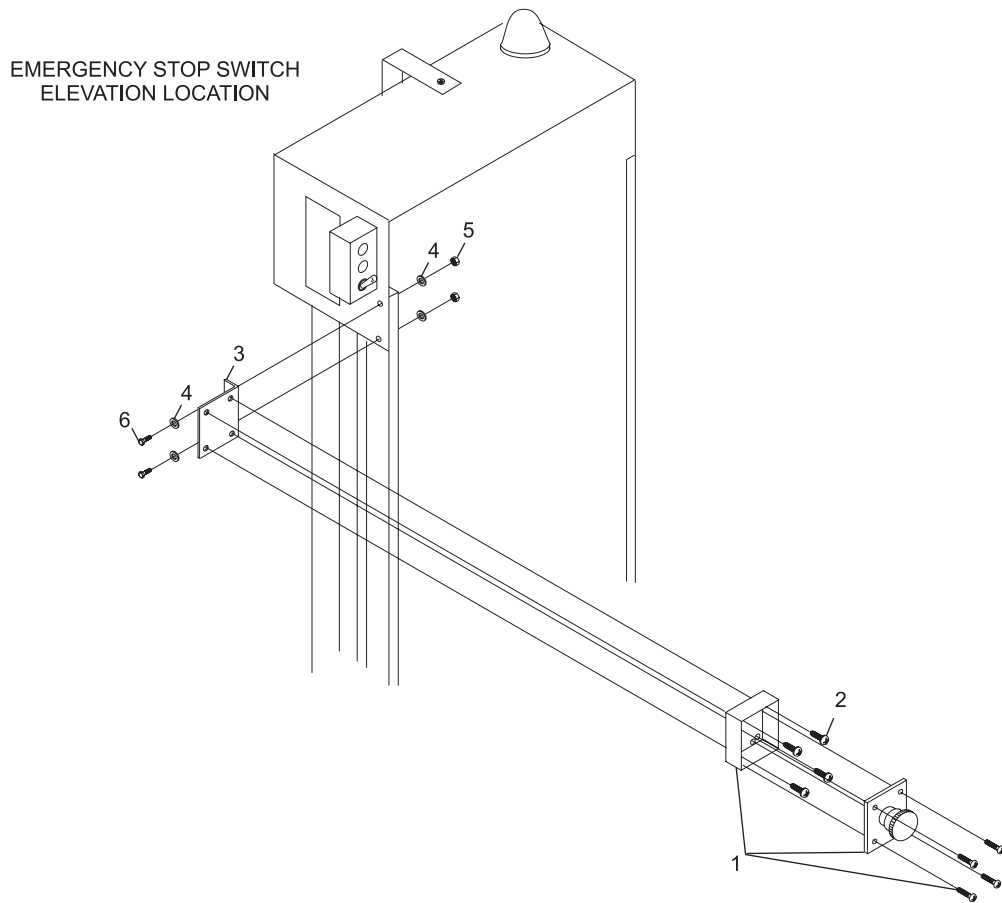
No.	Part No.		Description
1.	47-142720-000	N.A.	Rear Emergency Stop Switch Assembly (216')
	47-142871-000	R.O.	Emergency Stop Box Assembly (back of pinsetter)
2.	11-021524-015	N.A.	Self Tapping Screws (#6-32)
3.	47-142731-000	N.A.	Elevator Emergency Stop Switch Bracket
4.	11-052020-001	N.A.	Flat Washer (5.3)
5.	11-051742-001	N.A.	Lock Nut (5 mm)
6.	11-051027-001	N.A.	Hex Head Cap Screw (5 mm x 40 mm)
7.	47-142719-000	N.A.	Front Emergency Stop Switch Assembly (96")
	*47-142870-000	R.O.	Emergency Stop Box Assembly (front of pinsetter)

N.A. = No Longer Available

R.O. = Replacement Option

* Not Illustrated

**Base/Fixed
Emergency Stop Switch**



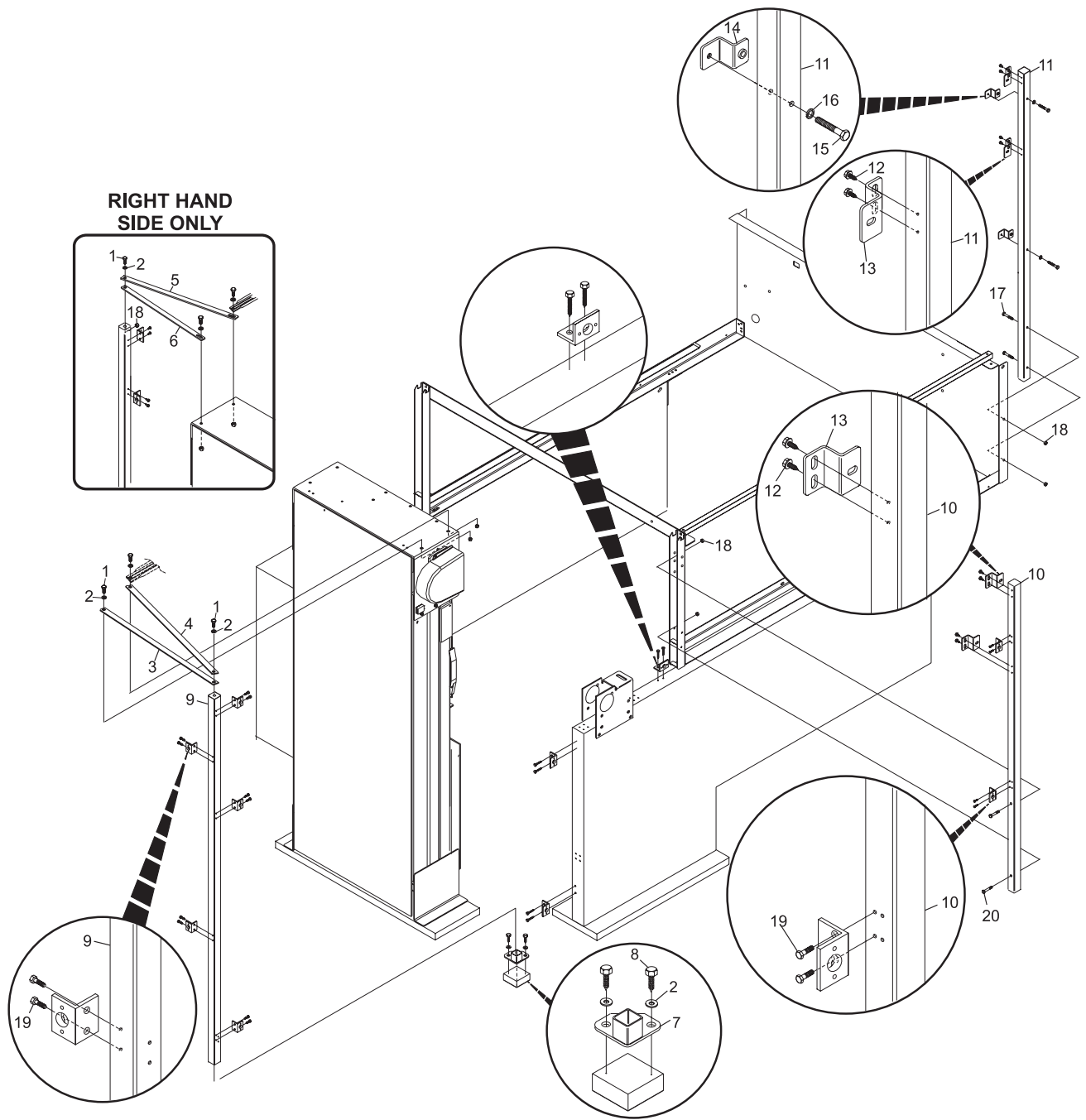
**Base/Fixed
Emergency Stop Switch**

Index

No.	Part No.	Description
1.	11-051015-001	Hex Head Cap Screw (M8 x 25 mm)
2.	11-052019-001	Flat Washer (8.4 mm)
3.	47-086034-000	N.A. Stabilizer (575 mm)
4.	47-086035-000	N.A. Stabilizer (615 mm)
5.	47-085831-003	N.A. Stabilizer (500 mm)
6.	47-085830-003	N.A. Stabilizer (450 mm)
7.	47-085835-003	N.A. Support Block
8.	11-053305-001	N.A. Hex Head Lag Screw (M8 x 40 mm)
9.	47-085989-000	Support Post (1.97 m)
10.	47-085987-000	Rear Pinsetter Support Post
11.	47-085988-000	Front Pinsetter Support Post
12.	11-010818-001	N.A. Self-Tapping Screw (1/4-14 x 1")
13.	47-085993-000	Division Guard Offset Bracket
14.	47-085994-000	N.A. Walkway Guard Bracket
15.	11-051014-001	Hex Head Cap Screw (M6 x 45 mm)
16.	11-051769-001	Lockwasher (6 mm)
17.	11-051064-001	Hex Head Cap Screw (M8 x 65 mm)
18.	11-051744-001	Locknut (8 mm)
19.	11-051079-001	N.A. Hex Head Cap Screw (M8 x 50 mm)
20.	11-081028-001	Self-Tapping Screw (5/16 x 1/2")

N.A. = No Longer Available

**UK Advanced/Advanced
Left & Right Side Machine Guards
Support Posts**



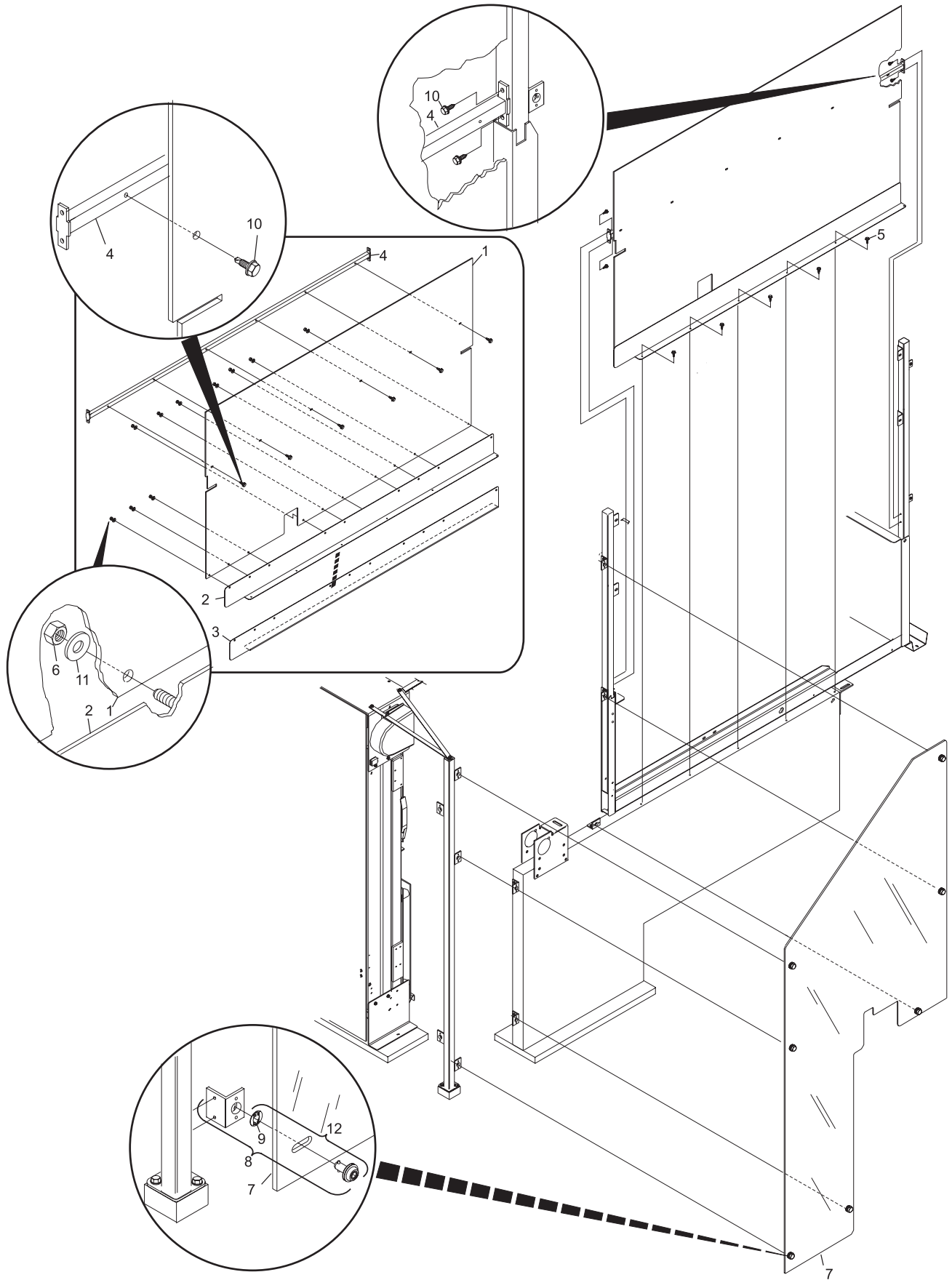
**UK Advanced/Advanced
Left & Right Side Machine Guards
Support Posts**

Index

No.	Part No.		Description
1.	47-085990-000	S.O.	Division Guard
2.	47-085998-000	N.A.	L.H. End Guard Support
3.	47-085997-000	N.A.	R.H. End Guard Support
4.	47-086066-009		Support
5.	11-053308-001	N.A.	Hex Head Lag Screw (M6 x 30 mm)
6.	11-051743-001		Locknut (6 mm)
7.	47-085979-000	S.O.	End Lane Guard
8.	47-013952-004		Quick Lock Assembly (includes Fastener, Retainer and Bracket)
9.	47-086163-009		Quick Lock Retainer (Pkg. of 10)
10.	11-010818-001	N.A.	Self Tapping Screw (1/4-14 x 1")
11.	11-052037-001		Flat Washer (6.4)
12.	47-086165-009		Quick Lock Internal Hex Drive Pan Head Fastener w/Retainer

N.A. = No Longer Available

S.O. = Special Order

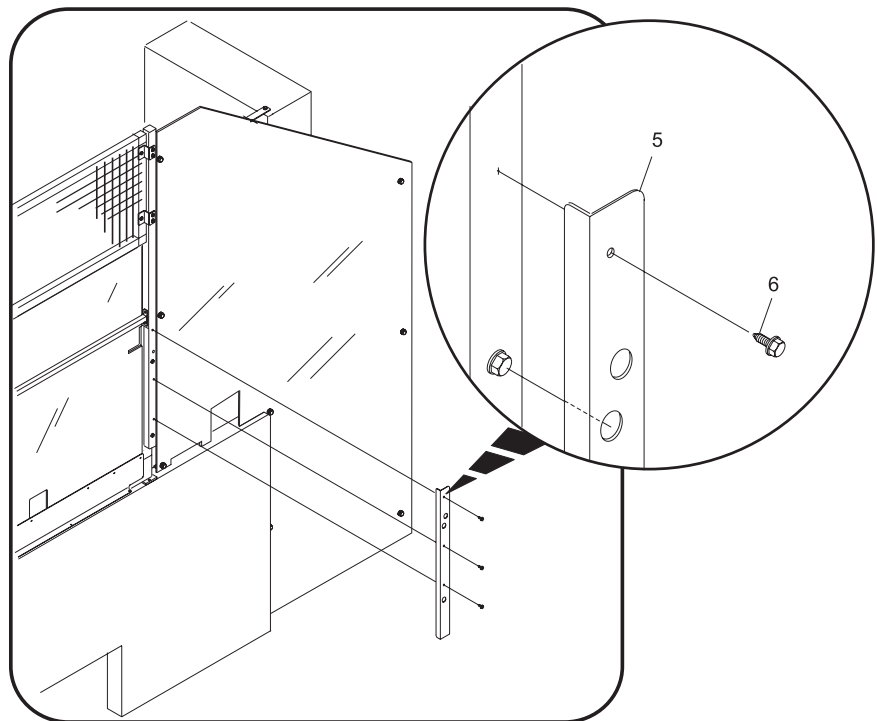
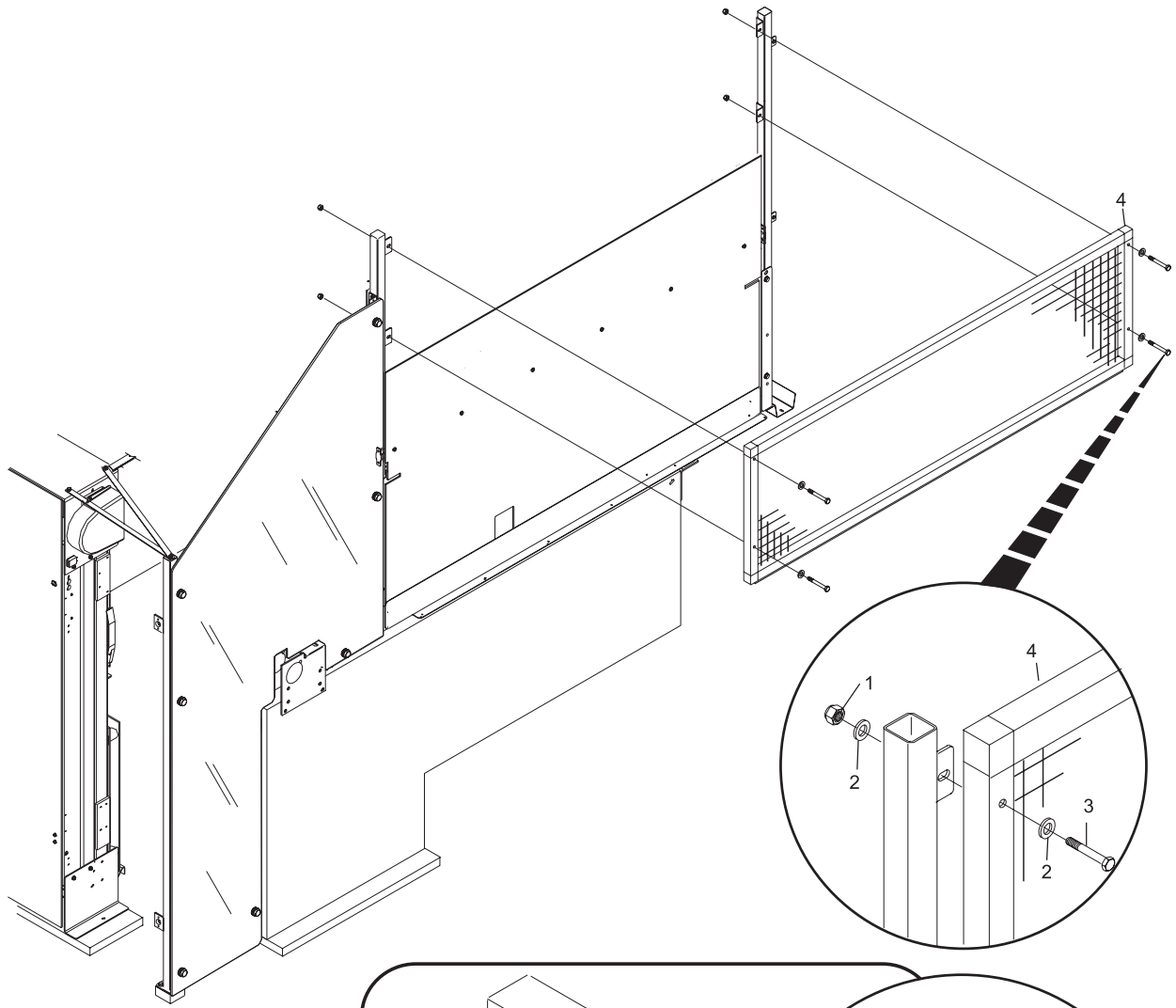


**UK Advanced/Advanced
Left & Right Side Machine Guards**

Index

No.	Part No.		Description
1.	11-051743-001		Locknut (6 mm)
2.	11-052037-001		Flat Washer (6.4)
3.	11-051036-001	N.A.	Hex Head Cap Screw (M6 x 35 mm)
4.	47-085984-000		Upper Division Guard
5.	47-085996-000	N.A.	End Guard Cover - Used On Right Side Only
6.	11-010818-001	N.A.	Self Tapping Screw (1/4-14 x 1")

N.A. = No Longer Available



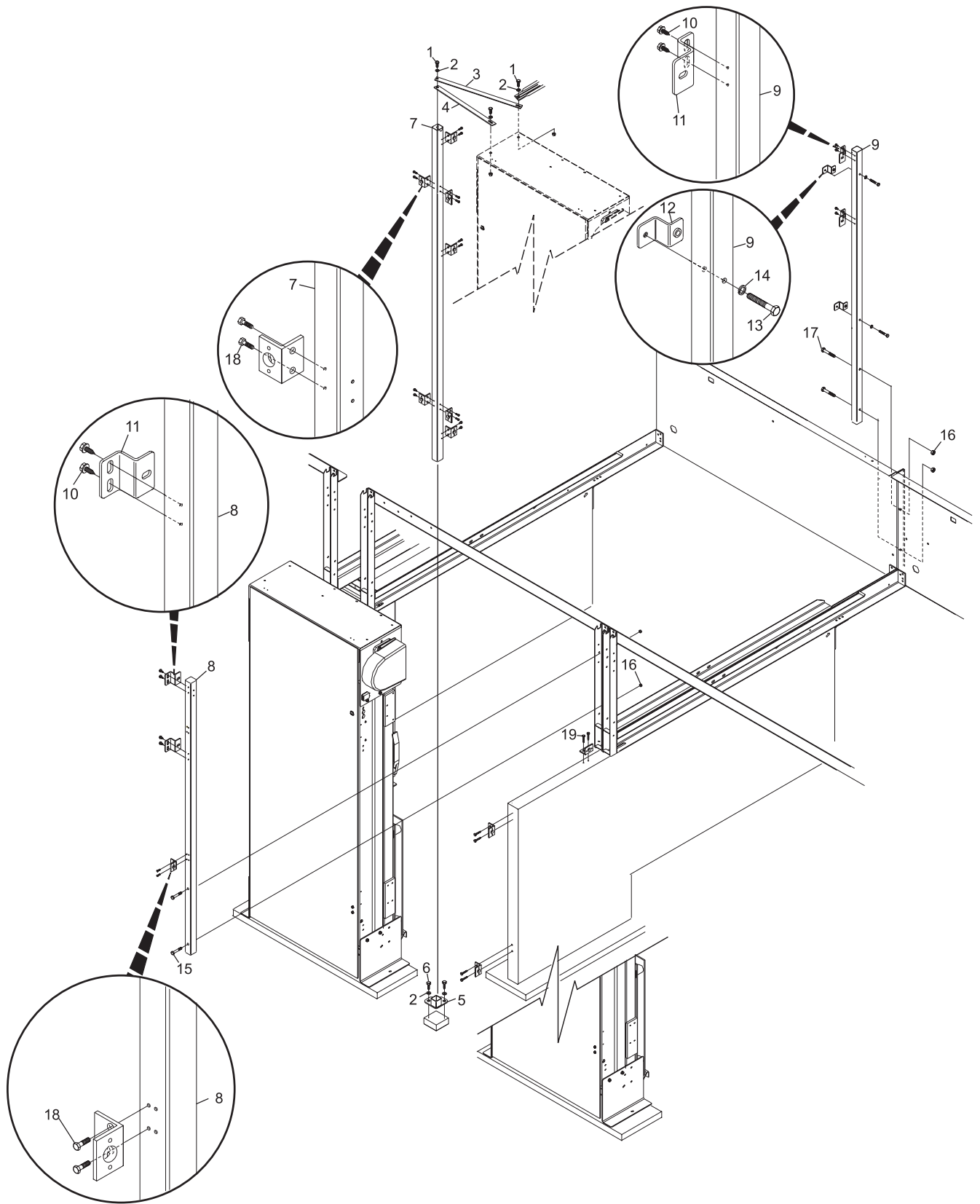
RIGHT HAND SIDE ONLY

**UK Advanced/Advanced
Left & Right Side Upper Machine Guards**

Index

No.	Part No.		Description
1.	11-051015-001		Hex Head Cap Screw (M8 x 25 mm)
2.	11-052019-001		Flat Washer (8.4 mm)
3.	47-085831-003	N.A.	Stabilizer (500 mm)
4.	47-085830-003	N.A.	Stabilizer (450 mm)
5.	47-085835-003	N.A.	Support Block
6.	11-053305-001	N.A.	Hex Head Lag Screw (M8 x 40 mm)
7.	47-085989-000		Support Post
8.	47-085987-000		Rear Pinsetter Support Post
9.	47-085988-000		Front Pinsetter Support Post
10.	11-010818-001	N.A.	Self Tapping Screw (1/4-14 x 1")
11.	47-085993-000	N.A.	Division Guard Offset Bracket
12.	47-085994-000	N.A.	Walkway Guard Bracket
13.	11-051014-001		Hex Head Cap Screw (6 mm x 45 mm)
14.	11-051769-001		Lockwasher (6 mm)
15.	11-051079-001	N.A.	Hex Head Cap Screw (M8 x 50 mm)
16.	11-051744-001		Locknut (8 mm)
17.	11-051064-001		Hex Head Cap Screw (M8 x 65 mm)
18.	11-053310-001	N.A.	Hex Head Lag Screw (M8 x 30 mm)
19.	11-081028-001	N.A.	Self TappingTapping Screw (5/16 x 1/2")

N.A. = No Longer Available



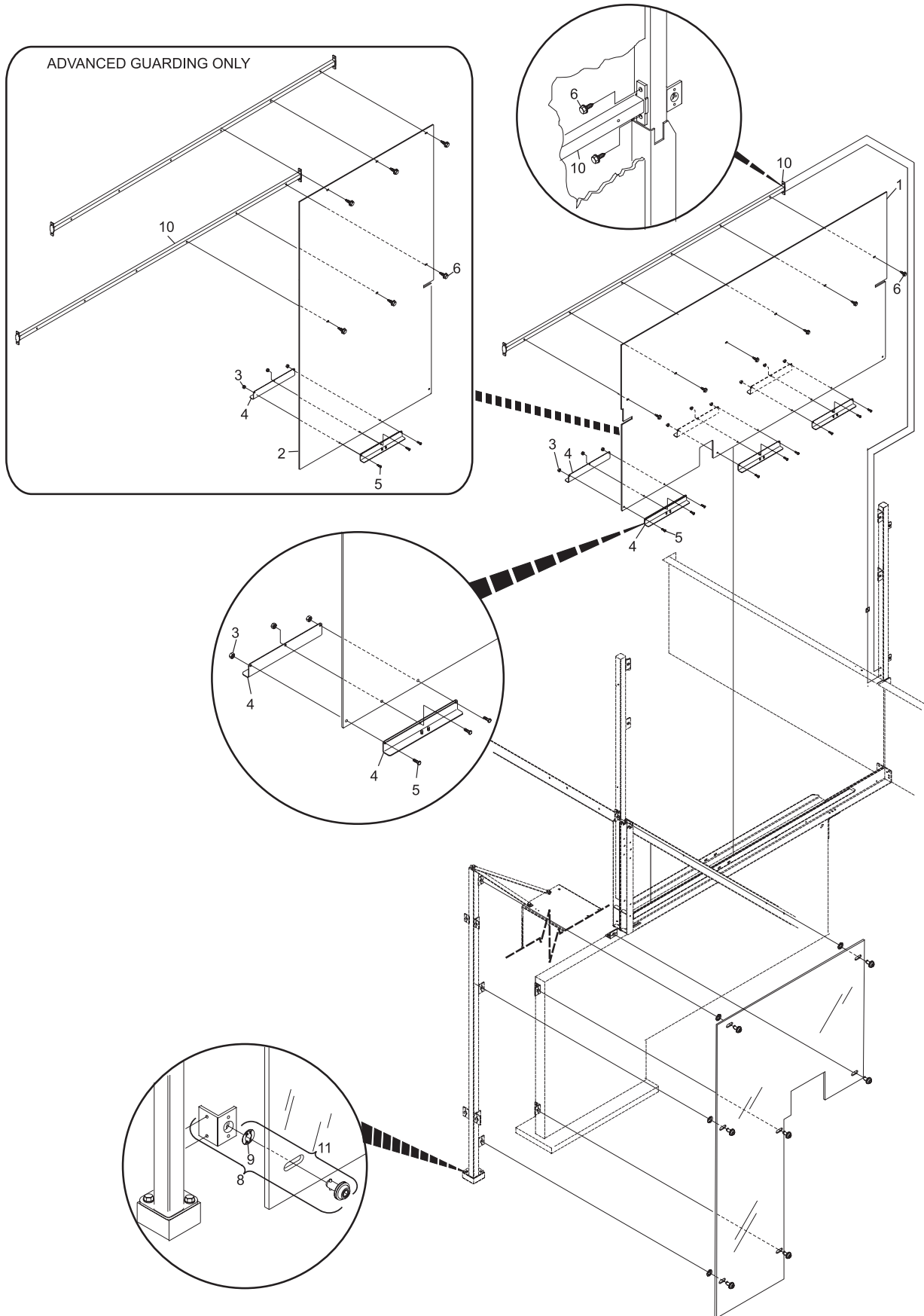
**UK Advanced/Advanced
Division Support Posts**

Index

No.	Part No.		Description
1.	47-085990-000	S.O.	Division Guard - UK Advanced Guards only
2.	47-086043-000	S.O.	Division Guard - Advanced Guards only
3.	11-051743-001		Locknut (6 mm)
4.	47-085991-000	N.A.	Division Guard Support
5.	11-051018-001		Hex Head Lag Screw (6 mm x 20 mm)
6.	11-010818-001	N.A.	Self Tapping Screw (1/4-14 x 1")
7.	47-086039-000	S.O.	Elevator Guard
8.	47-013952-004	N.A.	Quick Lock Assembly (includes Fastener, Retainer and Bracket)
9.	47-086163-009		Quick Lock Retainer Pkg. (Qty. 10)
10.	47-086066-009		Guard Support Tube
11.	47-086165-009		Quick Lock Internal Hex Drive Pan Head Fastener w/Retainer Ring

N.A. = No Longer Available

S.O. = Special Order

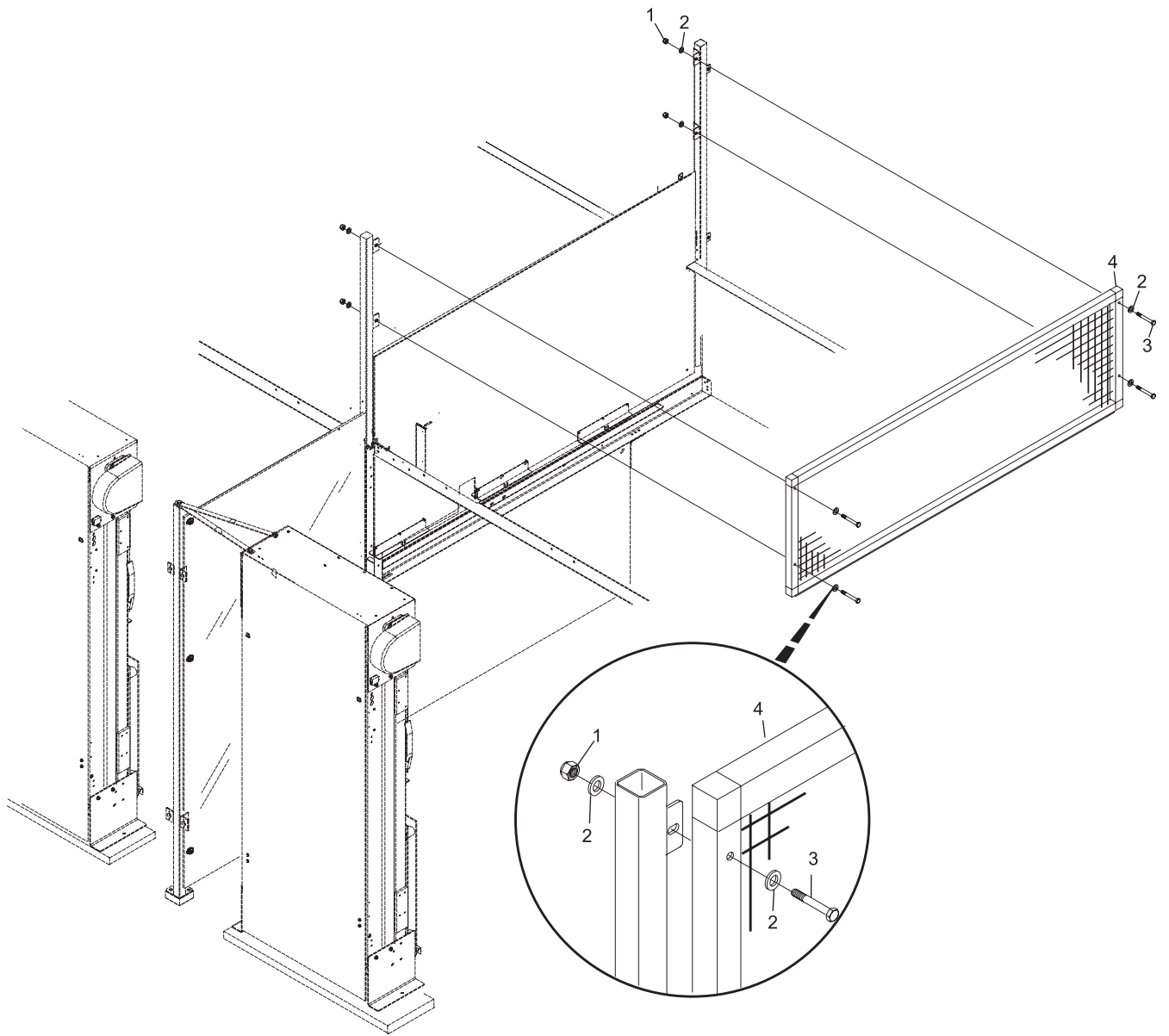


**UK Advanced/Advanced
Division Machine Guards**

Index

No.	Part No.		Description
1.	11-051743-001		Locknut (6 mm)
2.	11-052037-001		Flat Washer (6.4 x 18 mm x 1.6 mm)
3.	11-051036-001	N.A.	Hex Head Cap Screw (M6 x 35 mm)
4.	47-085984-000		Upper Division Guard

N.A. = No Longer Available



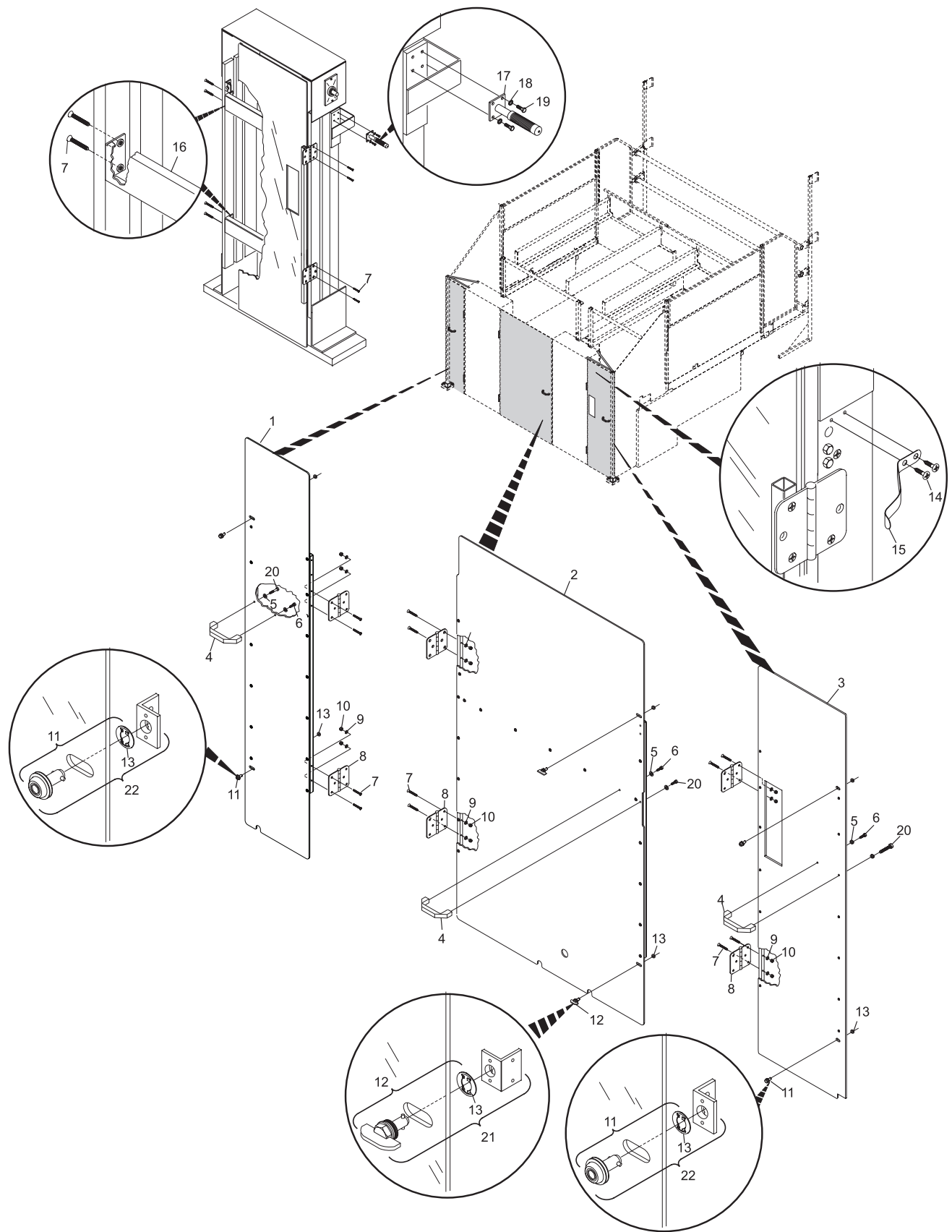
**UK Advanced
Upper Division Machine Guards**

Index

No.	Part No.		Description
1.	47-086143-009	S.O.	R.H. Rear Hinged Guard
2.	47-086139-009	S.O.	L.H. Rear Hinged Ball Return Guard
3.	47-086142-009	S.O.	L.H. Rear Hinged Guard
4.	47-085826-009		Handle Pkg. (includes Hardware)
5.	11-052037-001		Flat Washer (6.4)
6.	11-051035-001		Hex Head Cap Screw (M6 x 16 mm)
7.	11-052554-000	N.A.	Flat Hd. Machine Screw CR (M5 x 35 mm)
8.	11-077000-000	N.A.	Hinge - 3-1/2" x 3-1/2" Mortise Mount
9.	11-052020-009	N.A.	Flat Washer (5.3 mm)
10.	11-051742-001		Locknut (5 mm)
11.	47-086165-009		Quick Lock Internal Hex Drive Pan Head Fastener w/Retainer Ring
12.	47-086166-009		Quick Lock Blade Hd. Fastener w/Retainer Ring
13.	47-086163-009		Retainer (Qty. 10)
14.	11-040750-001	N.A.	Wood Screw (#9-14 x 3/4")
15.	47-086147-009		Rear Guard Spring
16.	47-016095-000	N.A.	Hinge Stiffener
17.	47-086152-009		Pkg. Elevator Handle w/Grip & Hardware (Qty. of 2)
18.	11-051770-001		Lockwasher (8 mm)
19.	11-051010-001	N.A.	Hex Hd. Cap Screw (M8 x 20 mm)
20.	11-051036-001		Hex Hd. Cap Screw (M6 x 35 mm)
21.	47-016014-009		Quick Lock Assembly (includes Blade Hd. Fastener, Retainer and Bracket)
22.	47-013952-004		Quick Lock Assembly (includes Internal Hex Drive Hd. Fastener, Retainer and Bracket)

N.A. = No Longer Available

S.O. = Special Order



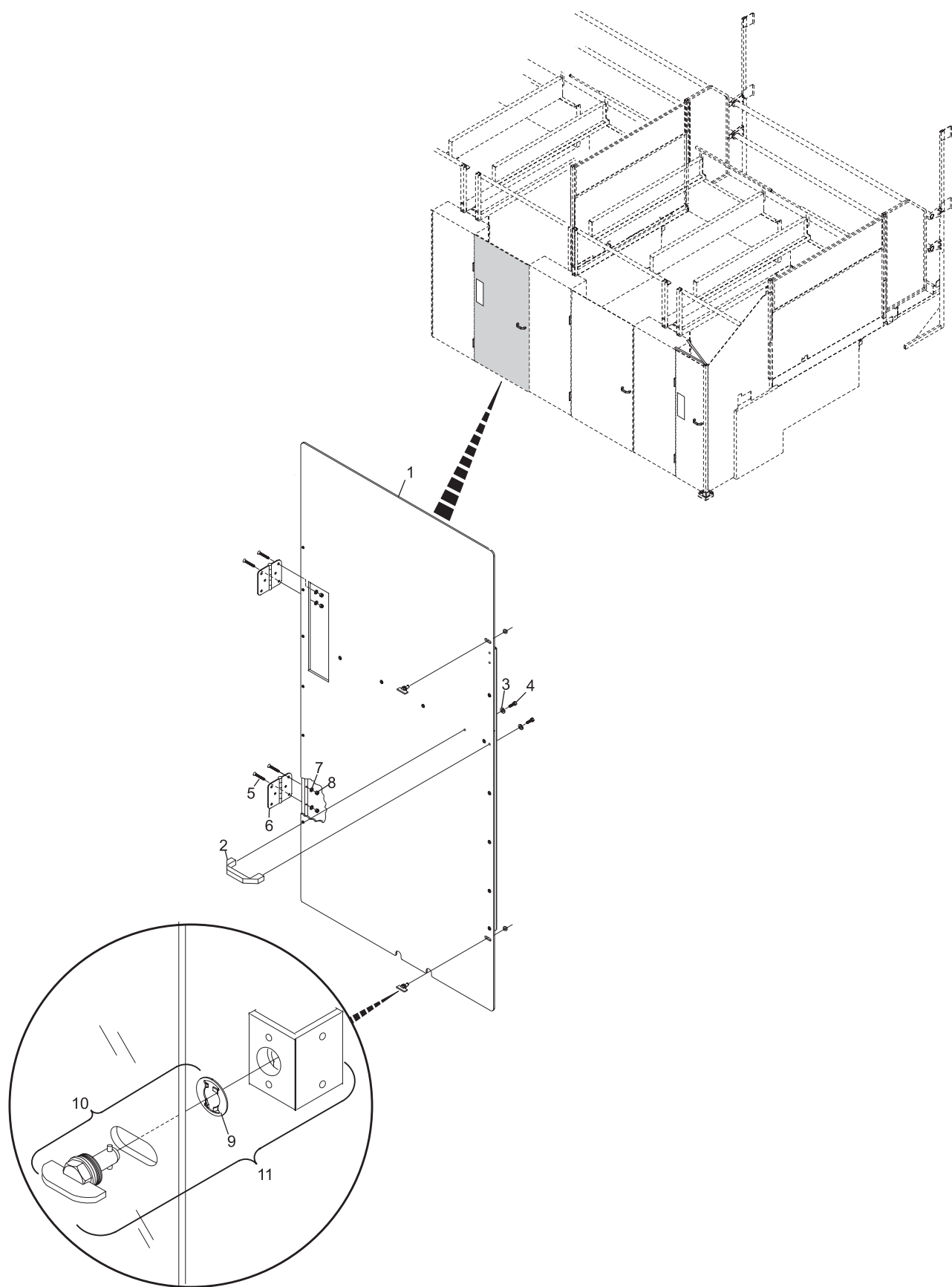
**UK Advanced/Advanced
Rear Hinged Machine Guards**

Index

No.	Part No.		Description
1.	47-086144-009	S.O.	Rear Division Hinged Guard
2.	47-085826-009		Handle Pkg. (includes Hardware)
3.	11-052037-001		Flat Washer (6.4)
4.	11-051035-001		Hex Head Cap Screw (M6 x 16 mm)
5.	11-052554-001	N.A.	Flat Hd. Machine Screw CR (M5 x 35 mm)
6.	11-077000-000	N.A.	Mortise Mount Hinge (3-1/2" x 3-1/2")
7.	11-052020-001		Flat Washer (5.3 mm)
8.	11-051742-001		Locknut (5 mm)
9.	47-086163-009		Quick Lock Retainer (Qty. 10)
10.	47-086166-009		Quick Lock Blade Hd. Fastener w/Retainer Ring
11.	47-016014-009		Quick Lock Assembly (includes Blade Hd. Fastener, Retainer and Bracket)

N.A. = No Longer Available

S.O. = Special Order

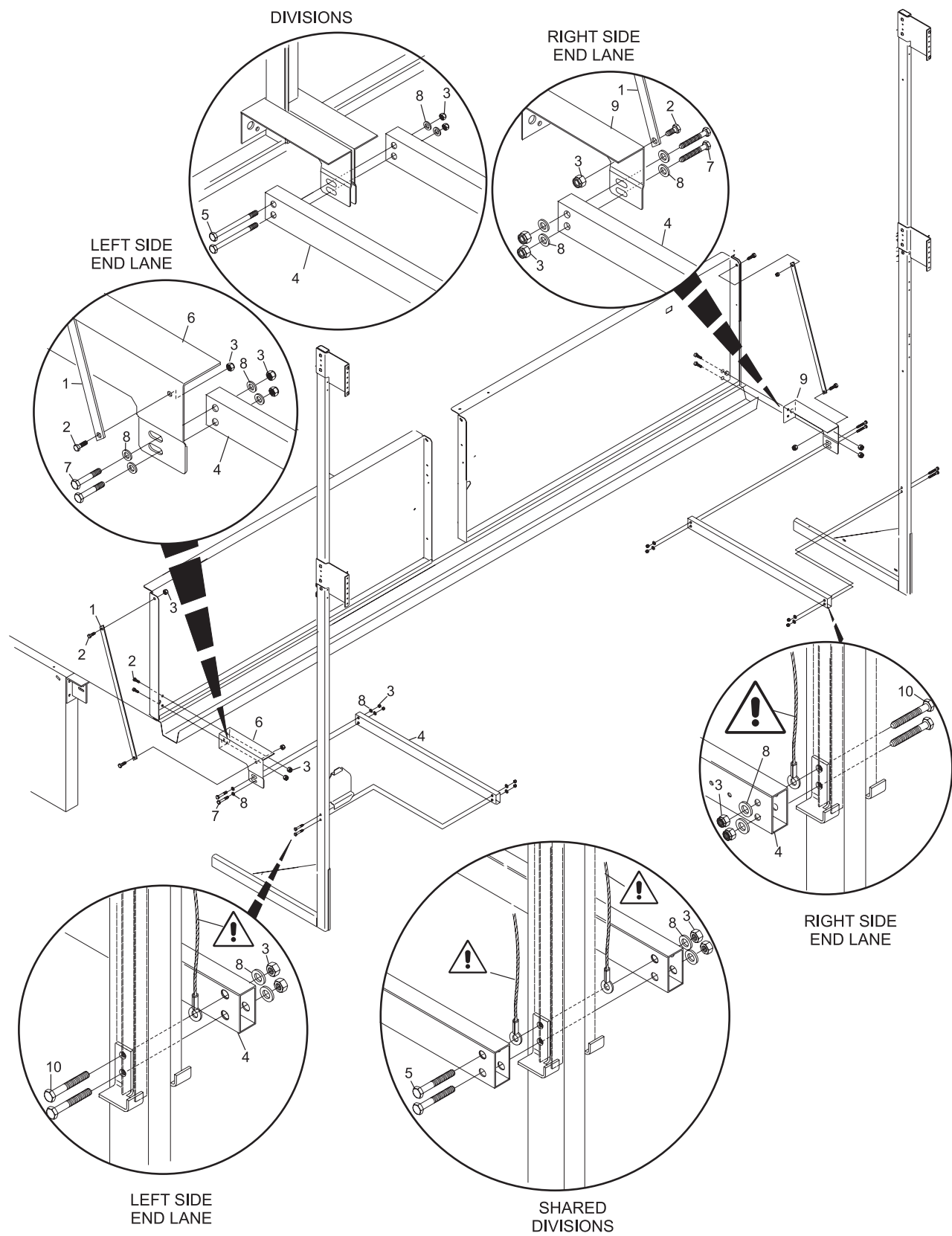


**Advanced
Rear (Division) Hinged Machine Guards**

Index

No.	Part No.		Description
1.	47-083659-004	N.A.	Support Strap (592 mm)
2.	11-051015-001		Hex Head Cap Screw (M8 x 25 mm)
3.	11-051744-001		Locknut (8 mm)
4.	47-085857-000	N.A.	Support
5.	11-051047-001	N.A.	Hex Head Cap Screw (M8 x 100 mm)
6.	47-085854-000	N.A.	L.H. Platform Support Bracket
7.	11-051079-001	N.A.	Hex Head Cap Screw (M8 x 50 mm)
8.	11-052019-001		Flat Washer (8.4 mm)
9.	47-085855-000	N.A.	R.H. Platform Support Bracket
10.	11-051025-001		Hex Head Cap Screw (M8 x 70 mm)

N.A. = No Longer Available



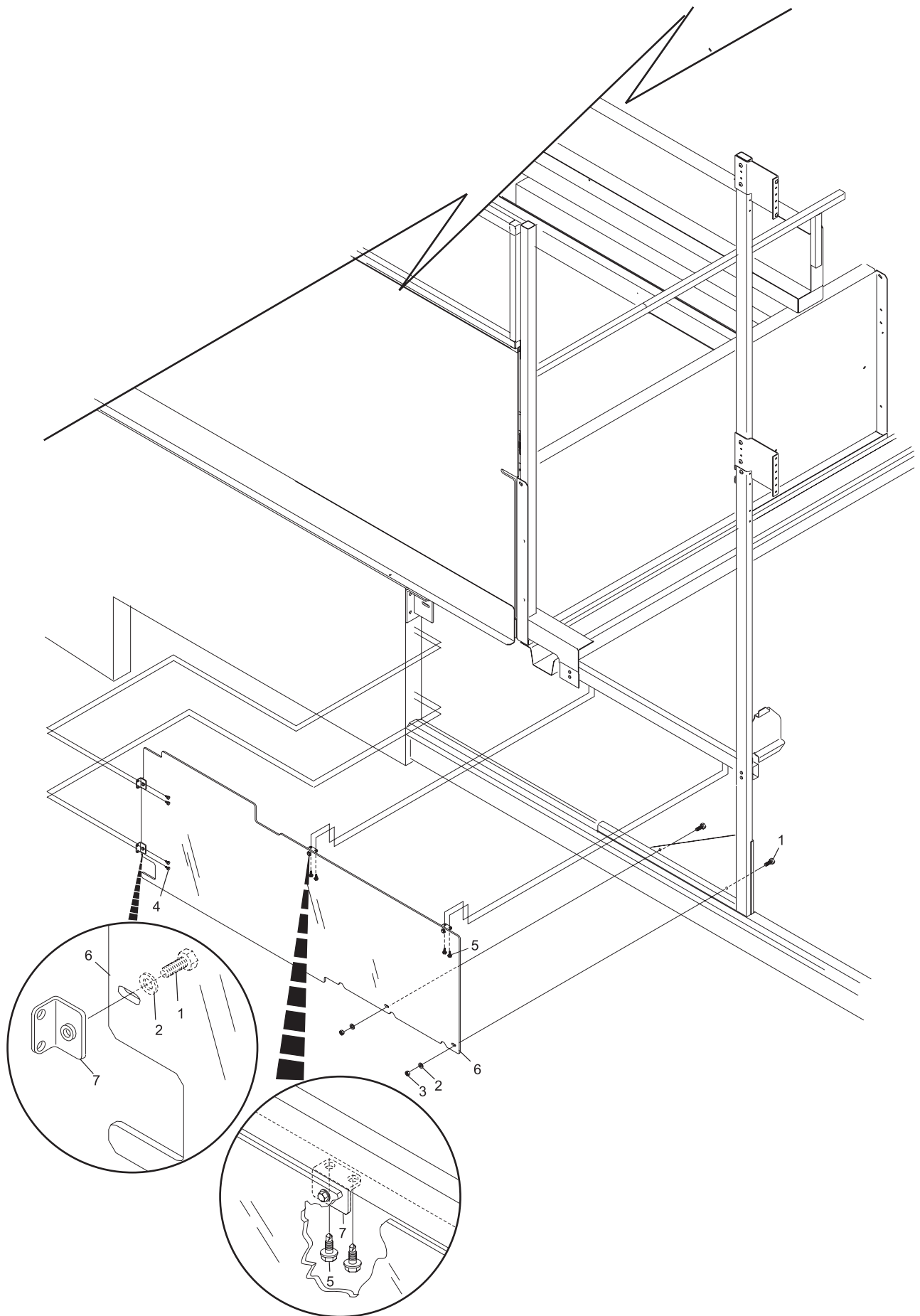
**UK Advanced/Advance with Walkway
Walkway Support**

Index

No.	Part No.		Description
1.	11-051018-001		Hex Head Cap Screw (M6 x 20 mm)
2.	11-052037-001		Flat Washer (6.4)
3.	11-051743-001		Locknut (6 mm)
4.	11-053308-001	N.A.	Hex Head Lag Screw (M6 x 30 mm)
5.	11-010818-001	N.A.	Self Tapping Screw (1/4-14 x 1")
6.	47-085999-000	S.O.	Sweep Guard
7.	47-085992-000	N.A.	Tension Bracket

N.A. = No Longer Available

S.O. = Special Order



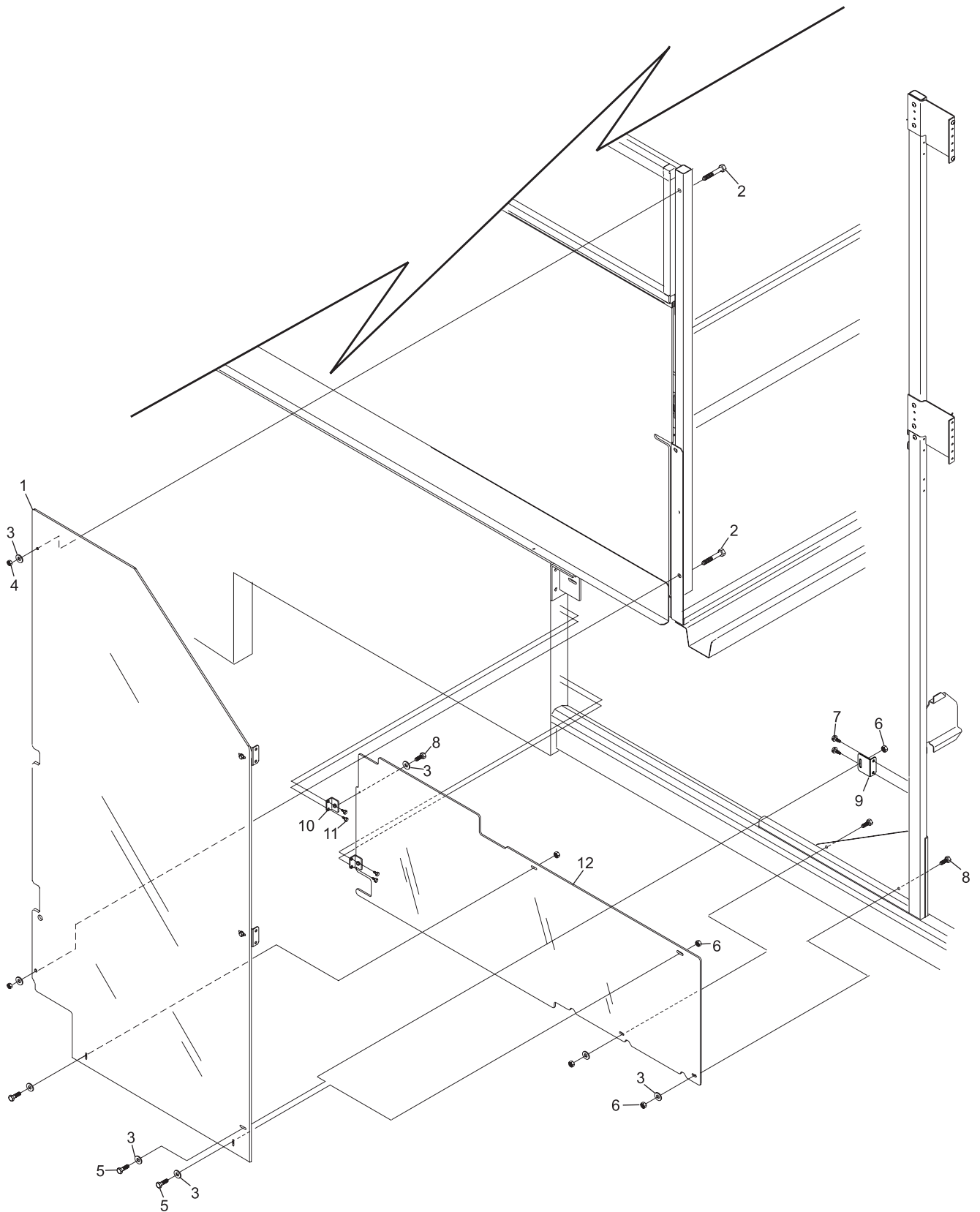
**UK Advanced/Advance w/Walkway
Sweep Guard**

Index

No.	Part No.		Description
1.	47-086044-000	S.O.	Masking Unit Guard - Advanced w/o Walkway
2.	11-051014-001		Hex Head Cap Screw (M6 x 45 mm)
3.	11-052037-001		Flat Washer (6.4 x 18 mm x 1.6 mm)
4.	11-051702-001		Hex Nut (6 mm)
5.	11-051028-001		Hex Head Cap Screw (M6 x 25 mm)
6.	11-051743-001		Locknut (6 mm)
7.	11-010818-001	N.A.	Self Tapping Screw (1/4-14 x 1")
8.	11-051018-001		Hex Head Cap Screw (6 mm x 20 mm)
9.	47-086050-000	N.A.	ABS Guard Bracket - Advanced w/o Walkway
10.	47-085992-000	N.A.	Tension Bracket
11.	11-053308-001	N.A.	Hex Head Lag Screw (M6 x 30 mm)
12.	47-085999-000	S.O.	Sweep Guard

N.A. = No Longer Available

S.O. = Special Order



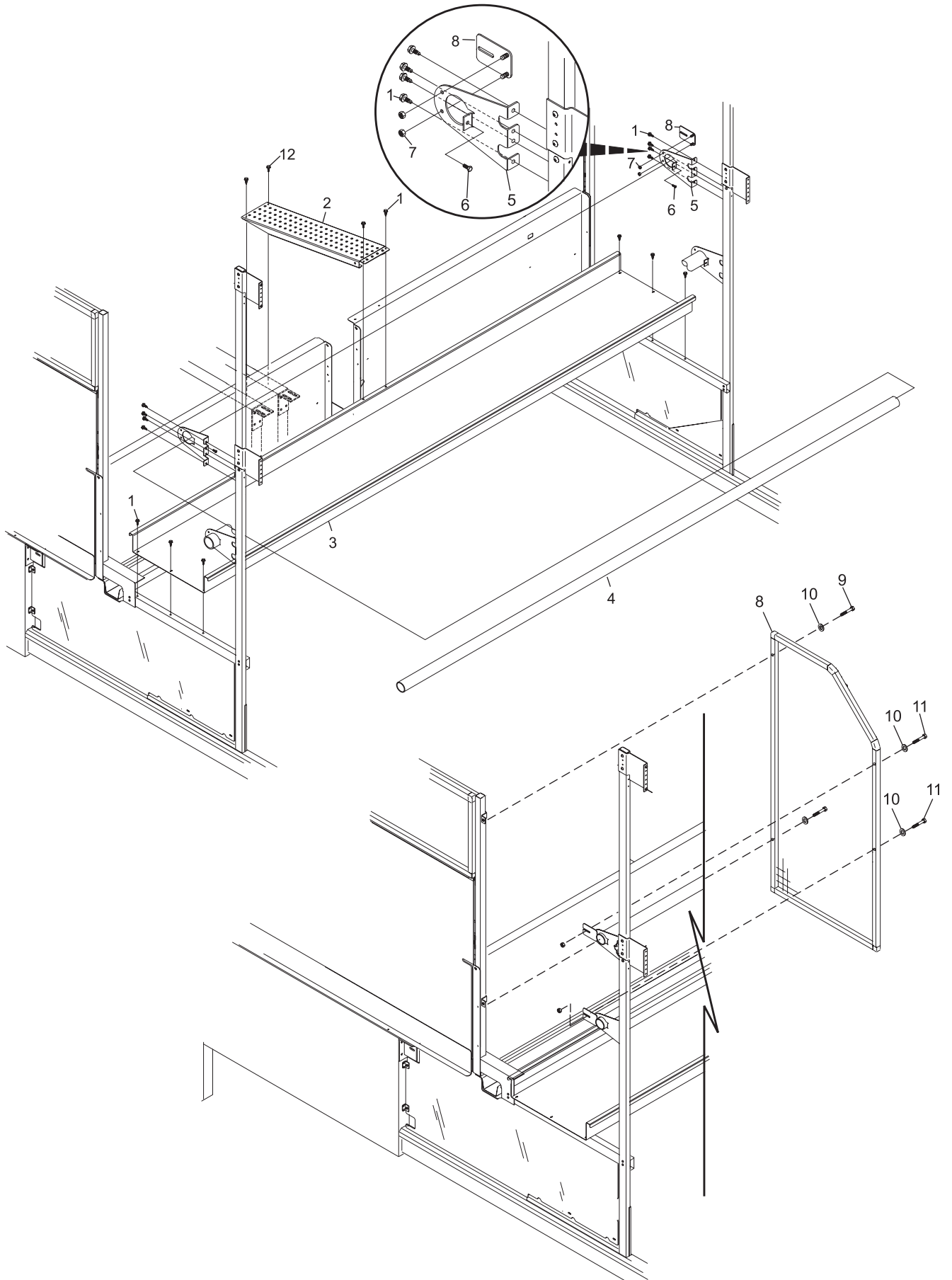
**Advanced w/o Walkway
Sweep Guard**

Index

No.	Part No.		Description
1.	11-010818-001	N.A.	Self Tapping Screw (1/4-14 x 1")
2.	47-085973-000		Walkway Bridge
3.	47-085943-001		Walkway - 3.380 m length (lane pair)
	47-085943-002		Walkway - 1.885 m length (single lane)
4.	47-085878-000		Guard Rail - 3.378 m length
5.	47-085877-000	N.A.	Guard Rail Mounting Bracket
6.	11-051010-001		Hex Head Cap Screw (M8 x 20 mm)
7.	11-051743-001		Locknut (6 mm)
8.	47-085980-000	S.O.	Walkway Guard
9.	11-051014-001		Hex Head Cap Screw (M6 x 45 mm)
10.	11-052037-001		Flat Washer (6.4)
11.	11-051036-001	N.A.	Hex Head Cap Screw (M6 x 35 mm)
12.	11-053308-000	N.A.	Hex Head Lag Screw (M6 x 30 mm)

N.A. = No Longer Available

S.O. = Special Order



UK Advanced/Advanced w/Walkway

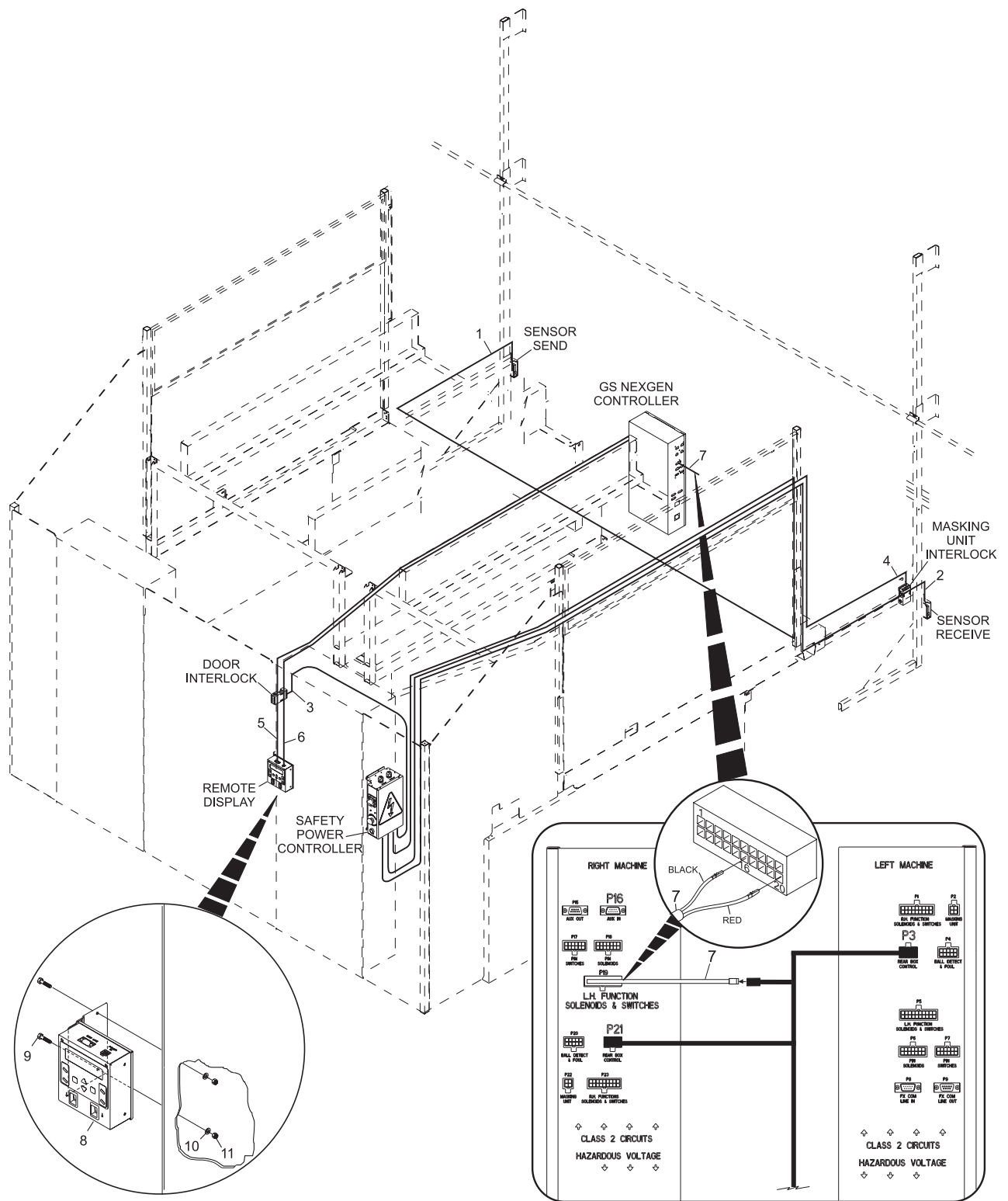
Index

No.	Part No.		Description
1.	47-142808-000	N.A.	Photosensor Send Cable Assembly (ver. 1)
	47-142864-000	R.O.	Photosensor Send Cable Assembly (ver.2)
2.	47-142803-000	N.A.	Photosensor Recieve Cable Assembly (ver. 1)
	47-142863-000	R.O.	Photosensor Recieve Cable Assembly (ver. 2)
3.	47-142812-000	N.A.	Rear Door Interlock Cable Assembly (ver. 1)
	47-142862-000	R.O.	Rear Door Interlock Cable Assembly (ver. 2)
4.	47-142816-000	N.A.	Masking Unit Interlock Cable Assembly (ver. 1)
	47-142861-000	R.O.	Masking Unit Interlock Cable Assembly (ver. 2)
5.	47-142761-000		GS-X Display Box to Nexgen Cable Assembly
6.	47-142762-000		GS-X Rear Display Power, Stop Switches Cable Assembly
7.	47-142768-000		GS-X L.H. Function, Power Retrofit Cable Assembly
8.	*47-862869-401		Rear Display - only (Nexgen)
9.	11-051027-001		Hex Hd. Cap Screw (M5 x 40 mm)
10.	11-052021-001		Flat Washer (4.3 mm)
11.	11-051743-001		Locknut (6 mm)

N.A. = No Longer Available

R.O. = Replacement Option

* NOTE: For complete Nexgen Rear Display with Hardware and Cables order P/N 47-861048-000



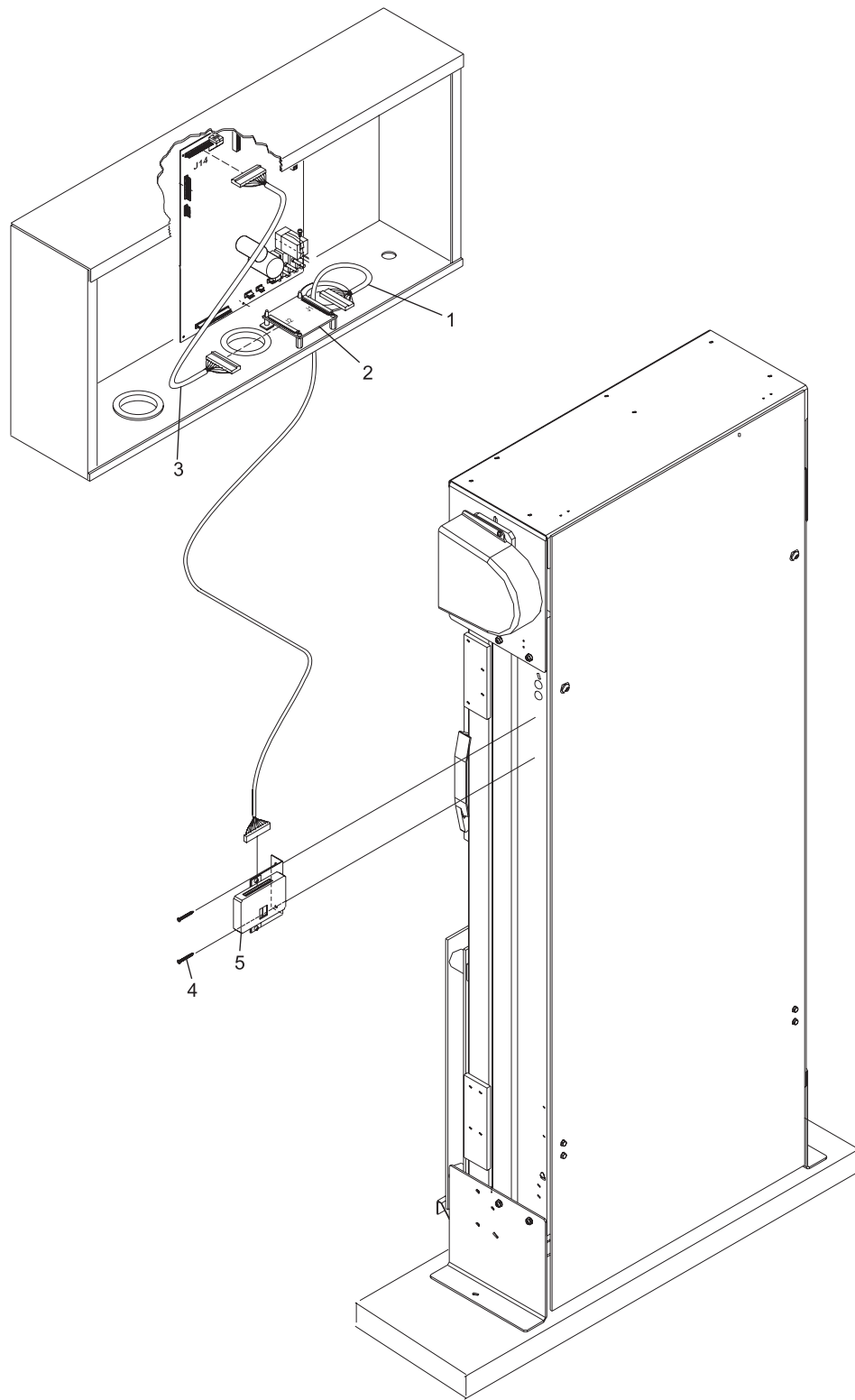
UK Advanced/Advanced Cabling

Index

No.	Part No.	Description
1.	47-142779-000	Consolidated Box to Rear Display Cable Assembly (15')
2.	47-142781-000	Consolidated Display Interface PCB
3.	47-142778-000	Consolidated Box Display Interface Cable Assembly (18")
4.	11-310500-000	Drywall Screw (#6 x 1")
5.	*47-862881-000	Consolidated Box to Rear Display w/Bracket

* NOTE: For complete Consolidated Rear Display with Hardware and Cables order P/N 47-861046-000

Consolidated Box Rear Display



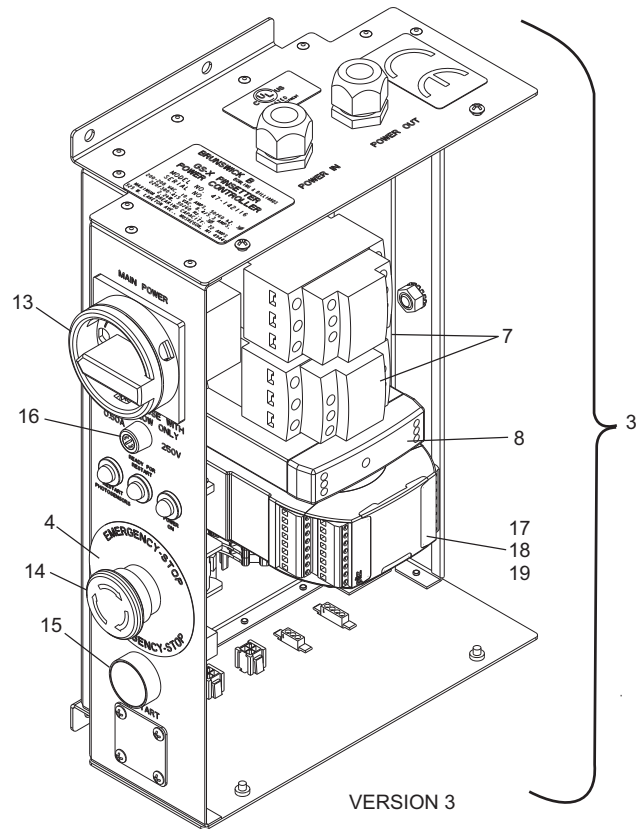
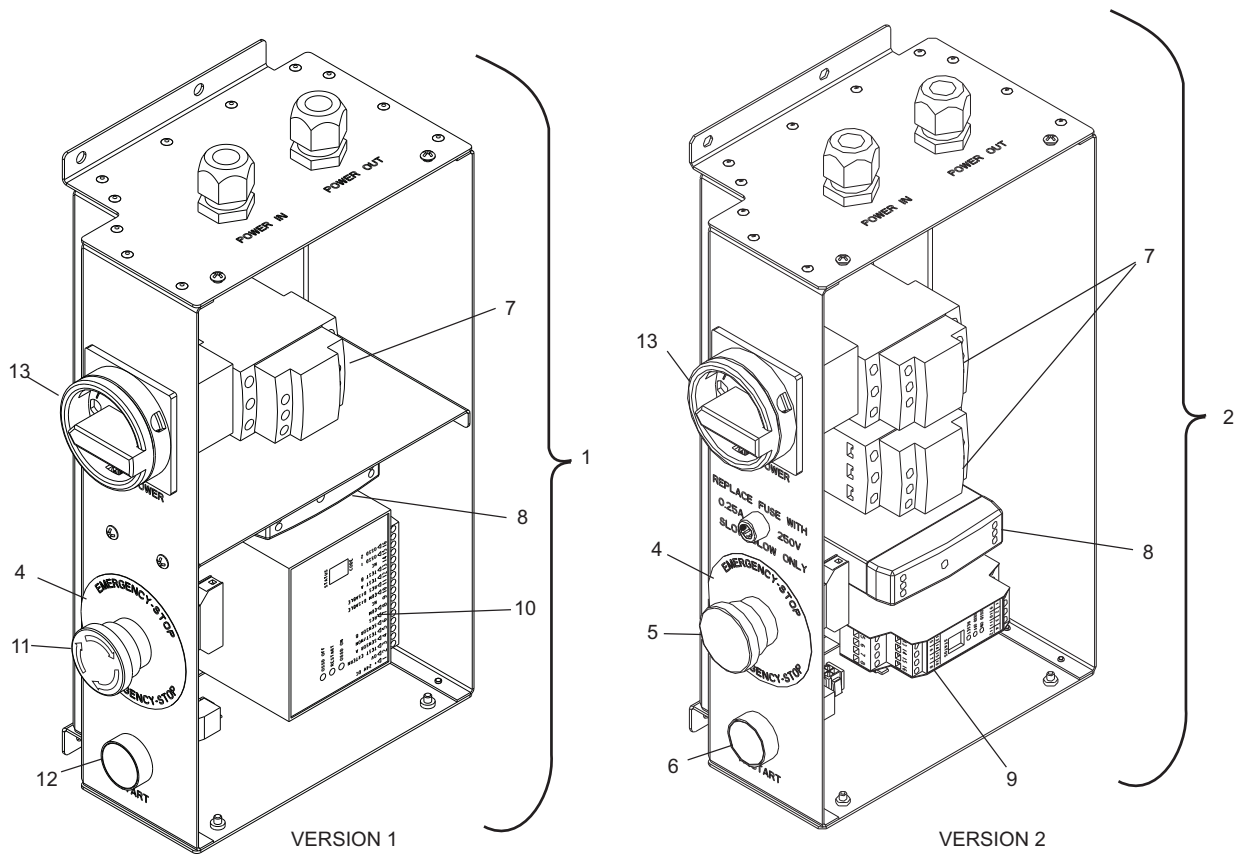
Consolidated Box Rear Display

Index

No.	Part No.		Description
1.	47-142811-000	N.A.	Safety Power Controller (ver. 1)
2.	47-142834-000	N.A.	Safety Power Controller (ver. 2)
	47-142868-000	R.O.	Safety Power Controller (ver. 2)
3.	47-142116-000		Safety Power Controller (ver. 3)
4.	11-900717-000		Emergency Stop Decal
5.	47-142853-000	N.A.	Emergency Stop Button
	47-142867-000		Emergency Stop Button
6.	47-142838-000		Restart Button Assembly
7.	11-671005-000		Contactor - 12A IEC, 24VDC
8.	11-696964-000		Power Supply - 24VDC, 24W
9.	11-696966-000		Photosensor Controller
10.	11-696963-000	N.A.	Photosensor Controller
11.	47-142810-000		Emergency Stop Button
12.	47-142809-000	N.A.	Restart Button
	47-142838-000	R.O.	Restart Button Assembly
13.	11-615048-000		Power Switch
14.	11-616036-000	N.A.	Emergency Stop Button
	47-142101-000	R.O.	Emergency Stop Button Assembly
15.	47-142100-000		Restart Button Assembly
16.	11-685056-000		Fuse - .050 AMP, 250V, 5 mm x 20 mm
17.	11-696688-000		Memory Card (Pilz)
18.	11-696687-000		Terminal Block - Set (Pilz)
19.	11-696686-000		Safety Controller (Pilz)

N.A. = No Longer Available

R.O. = Replacement Option



U K Advanced/Advanced Safety Controller

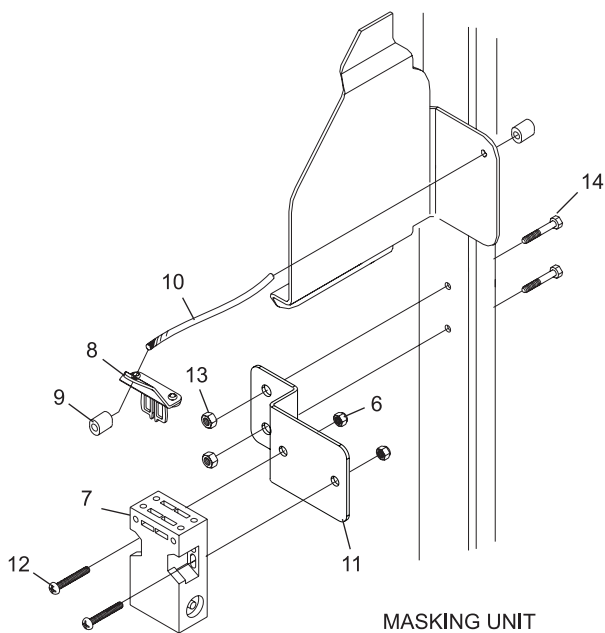
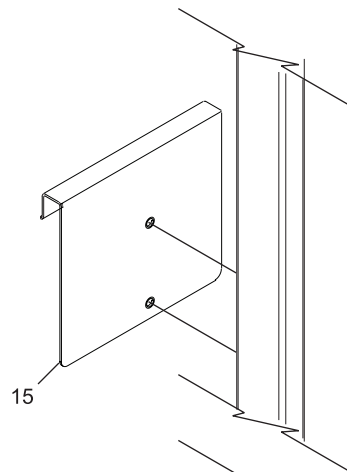
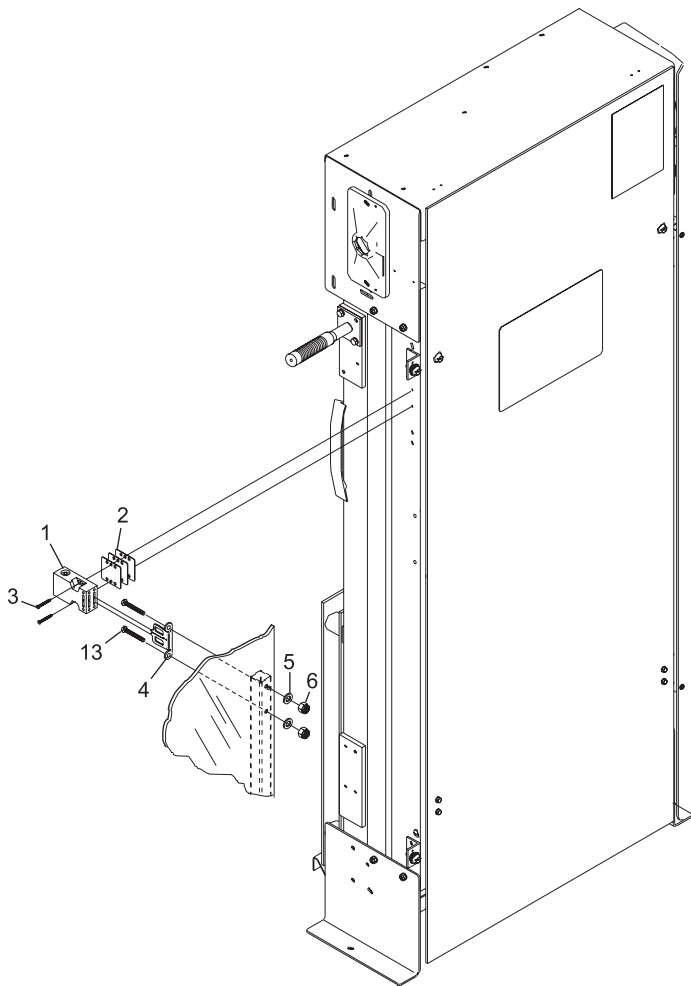
Index

No.	Part No.		Description
1.	11-616081-000		Safety Interlock Switch (Ball Return)
2.	47-085851-000	N.A.	Shim
3.	11-082548-001	N.A.	Pan Hd. C.R. Tapping Screw (#8 x 1-1/4")
4.	11-616082-000		Actuator Key
5.	11-085039-001	N.A.	Washer (5.3 mm)
6.	*11-051742-001		Locknut (5 mm)
7.	11-616083-000		Masking Unit Interlock
8.	*47-085974-009	N.A.	Actuator Key Bracket
9.	*57-214923-000	N.A.	Oval Sleeve
10.	*57-214924-003	N.A.	Cable
11.	47-086064-000	N.A.	Interlock Bracket - installations w/o walkway
12.	*11-053789-001	N.A.	Pan Hd. C.R. Mach Screw (M5 x 40 mm)
13.	11-170007-001		Locknut (1/4-20)
14.	11-002008-001		Hex Hd. Cap Screw (1/4-20 x 2")
15.	47-085976-000	N.A.	Retainer - Lower Graphics Panel
16.	**47-085978-009		Masking Unit Interlock Hardware Pkg.

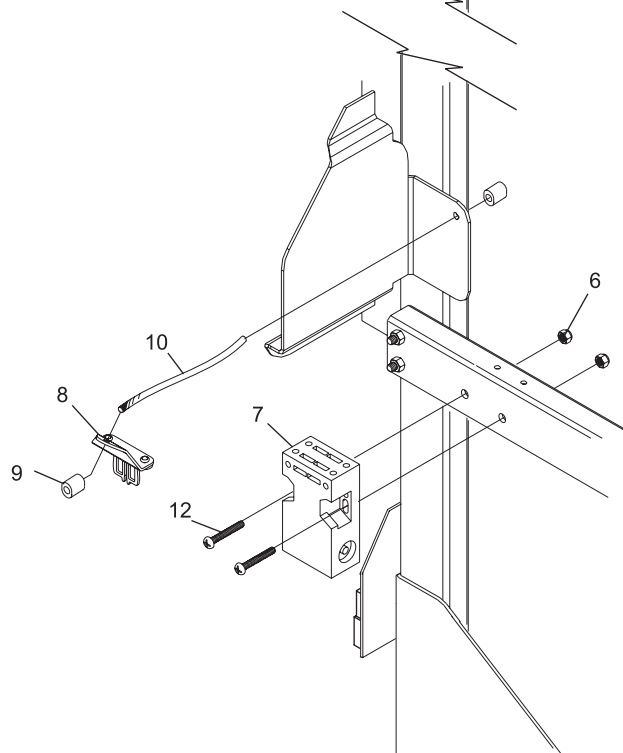
N.A. = No Longer Available

** Available in Masking Unit Interlock Hardware Pkg. - index #16.*

*** Not Illustrated*



MASKING UNIT
INTERLOCK WITHOUT
WALKWAY



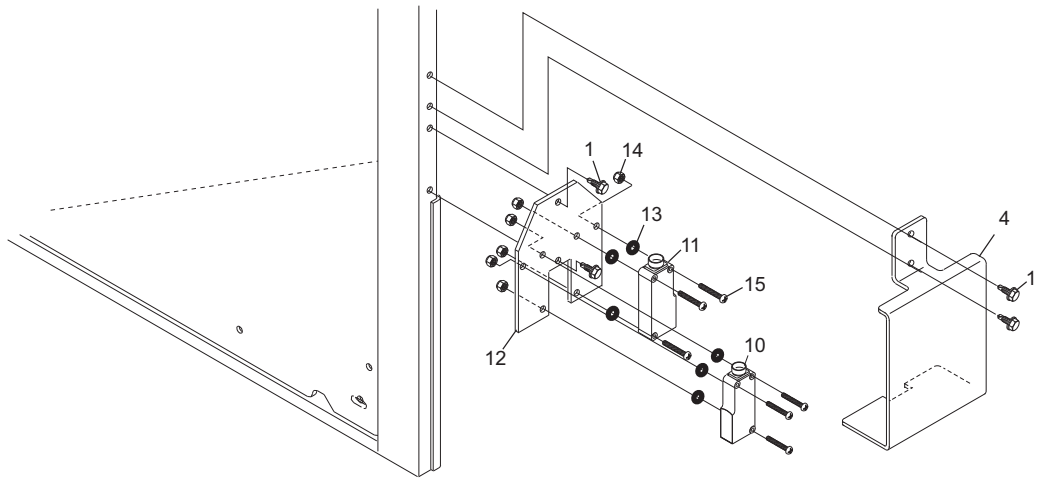
MASKING UNIT
INTERLOCK WITH
WALKWAY

UK Advanced/Advanced Interlocks

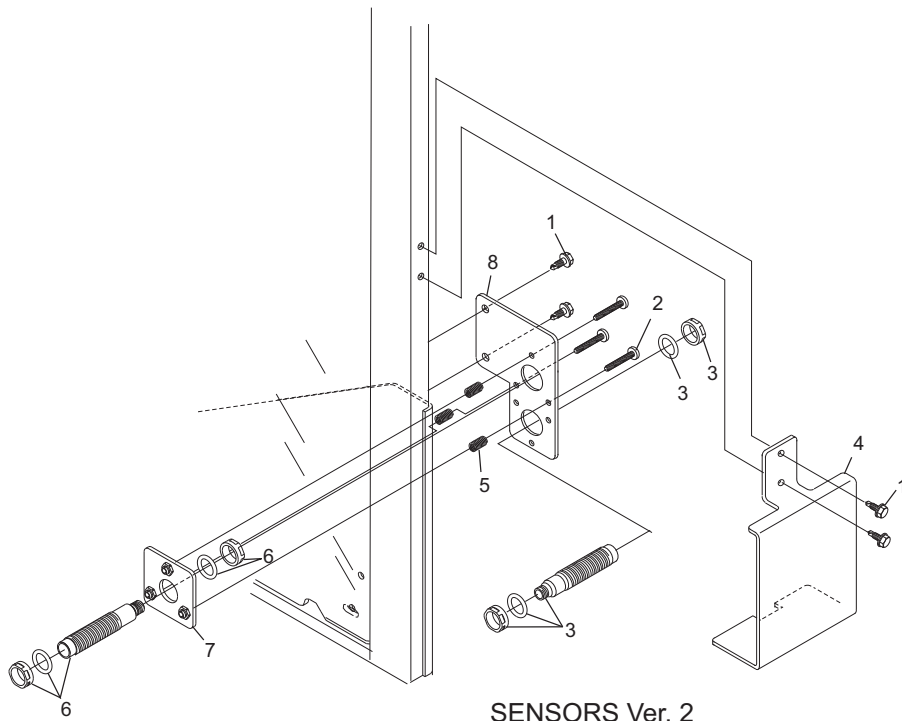
Index

No.	Part No.		Description
1.	11-010818-001	N.A.	Self Tapping Screw (1/4-14 X 1")
2.	11-051096-001	N.A.	Hex Hd. Cap Screw (M4 x 30 mm)
3.	11-696967-001		Sensor - Receive (ver. 2)
4.	47-086115-000		Sensor Guard
5.	11-581009-000		Compression Spring
6.	11-696967-002		Sensor - Send (ver. 2)
7.	47-086113-000	N.A.	Sensor Alignment Plate
8.	47-086114-000	N.A.	Sensor Mounting Bracket (ver. 2)
9.	11-696970-000		Laser-Sensor Alignment Aid
10.	11-696962-002		Sensor - Send (ver. 1)
11.	11-696962-001		Sensor - Receive (ver. 1)
12.	47-086097-000		Sensor Mounting Bracket (ver. 1)
13.	47-086164-009	N.A.	O-Ring Pkg. (Qty. 10)
14.	11-051741-001		Locknut (4 mm)
15.	11-053793-001	N.A.	Pan H. C.R. Mach Screw (M4 x 30 mm)
16.	11-696971-000		Laser-Sensor Alignment Aid Adapter
17.	11-696007-000		Photo Sensor - Infared, Type 4, Pilz (ver. 3)

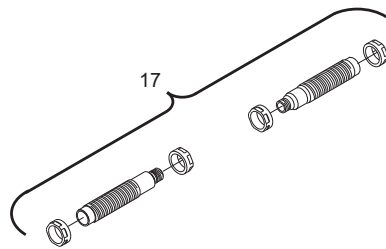
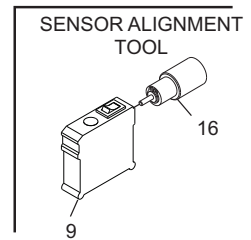
N.A. = No Longer Available



SENSORS Ver. 1



SENSORS Ver. 2



SENSORS Ver. 3

U K Advanced/Advanced Sensors